

IRWIN
TOOLS

IRWIN
TOOLS

2013 NORTH AMERICA FULL LINE CATALOG



WISE-GRIP **MARATHON** **QUICK-GRIP** **SPEEDBOR.** **STRAIT-LINE.** **Marples.** **Unibit.** **HANSON.**

For the latest additions to the IRWIN product line, visit our on-line catalog at irwin.com

THE HISTORY OF IRWIN TOOLS

IRWIN® Tools has a long and storied history, stretching for more than a century and set against the backdrop of a young, ambitious nation. In 1885, Charles Irwin patented the auger bit and, along with four business partners, formed the IRWIN Auger Bit Company. In 1924, William Petersen, a Danish immigrant, invented and patented VISE-GRIP® locking pliers. Through innovation and a series of acquisitions, these two companies have now become IRWIN Tools.

IRWIN Tools manufactures and distributes a broad line of professional-grade hand tools and power tool accessories worldwide for trade professionals who demand superior performance and durability on the job. The IRWIN Tools brand portfolio features user-preferred category leaders such as VISE-GRIP® locking tools, MARATHON® circular saw blades, QUICK-GRIP® clamping tools, SPEEDBOR® wood drilling bits, STRAIT-LINE® marking tools, UNIBIT® step drill bits, Marples® fine woodworking tools and HANSON® taps and dies.



NEW PRODUCTS

At IRWIN Tools, our end-user obsession, combined with world-class product development, enables us to produce professional-grade hand tools and power tool accessories that provide superior performance and durability on the job.

By incorporating end-user feedback with advanced engineering, we deliver innovative products that continue to surpass industry standards.

Marples. Woodworking Series Circular Saw Blades



**EXTENDED LIFE.
FLAWLESS FINISH.**

Levels and Squares



**RUGGED.
ACCURATE.
GUARANTEED.™**

INNOVATION MILESTONES



1885
IRWIN
Auger Bit
invented by
Charles Irwin



1914
HANSON
Taps & Dies
developed and
refined by Henry Hanson



1968
SPEEDBOR
Spade Bits with
Cutting Spurs

1972
UNIBIT®
Step Drill Bits
invented by
Harry Oaks

SPEEDBOR.
WeldTec Augers



4-Point Snap Blades



SpeedHammer Power Masonry Bits



Metal Cutting
Saw Blades



WISE-GRIP
GrooveLock Pliers



MARATHON.
Cordless Carbide
Saw Blades



Universal Handsaw



Fiber Cement PCD
Saw Blades



1986
QUICK-GRIP
One-Handed
Bar Clamp
invented by Joe Sorenson



1989



MARATHON
Thin Curl Saw Blade



2003
UNIBIT
Self-Starting
Speedpoint Tip

2005
WISE-GRIP
GrooveLock Pliers



2006
SPEEDBOR
Max Speed
Bit with Tri-Flute
Design and Screw Tip

2007
MARATHON
WeldTec Saw Blades
with Welded Carbide Teeth



2008
UNIBIT
Cobalt Step
Drill Bit



STRAIT-LINE
Mach6
Chalk Reel



2009
HANSON
Self-Aligning
Taps & Dies



IRWIN UNIVERSITY

IRWIN® Tools is committed to the pursuit of developing tools to get the job done right. Our commitment extends beyond our broad assortment of innovative IRWIN products to include the development of our employees and valued customers. We are dedicated to delivering best-in-class career and industry development opportunities through a variety of product training programs.

Instructor-led Product Training

The Newell Rubbermaid Learning and Development Center in Huntersville, NC is a state-of-the-art facility which boasts a 5,000 sq. ft. tool shop dedicated to IRWIN product training. IRWIN employees participate in a variety of multi-day training programs led by highly skilled facilitators to expand their knowledge of IRWIN hand tools and power tool accessories. These hands-on courses range from introductory product knowledge overviews to more advanced curriculum including jobsite assessment, phases of construction, and hands-on, real-world product applications.



E-Learning Tools

LearnIRWIN.com is a powerful web-based training tool accessible to IRWIN employees, distributor partners, and consumers seeking greater knowledge of IRWIN Tools. Each self-guided training module is approximately 20 minutes long, and includes detailed information on product features and benefits, end-user research, common applications, and product comparisons, all set to voice narration. Join us today at www.LearnIRWIN.com for interactive up-to-date product training. Be sure to check back often, as new courses are added regularly.

Field Training Support

MAX Training is a field training initiative designed to enhance product knowledge of IRWIN Tools outside of the classroom. Our product trainers have over 30 years of industry experience and provide their expertise to IRWIN distributor partners with hands-on product demonstrations at select sales and marketing events across North America.



NIGHT RACE AT BRISTOL MOTOR SPEEDWAY

IRWIN Tools has been involved in auto racing for many years, so we're incredibly proud to hold the title sponsorship of one of the most prestigious sporting events in the country – the IRWIN Tools Night Race at Bristol Motor Speedway. This summer classic under the lights is 500 grueling laps around the high banks of the world's fastest half-mile. The IRWIN Tools Night Race, one of stock car racing's most popular events, serves as a key venue for IRWIN brand building activities, specifically targeting NASCAR fans and professional tradesmen.



SKILLSUSA®



IRWIN Tools is a proud sponsor of SkillsUSA, a national career and technical education organization, serving more than 300,000 high school and college students and professional members in technical, skilled and service

occupations. IRWIN supports the building trade students and instructors of the SkillsUSA organization with the necessary tools to learn their trade and begin their careers. SkillsUSA programs include local, state and national competitions in which students demonstrate occupational and leadership skills. For more information about SkillsUSA, visit www.skillsusa.org.



NATIONAL TRADESMEN DAY



America's tradesmen: they build our homes, roads, businesses, and schools. They keep our cars running, our lights on, our water flowing, and so much more. They are the backbone of our functioning nation – and that's why they deserve a national day of recognition. IRWIN invites the nation to celebrate National Tradesmen Day on the third Friday in September. This day will focus the nation's attention on "The Hands that Build our country and Keep it Running Strong" and will include celebrations, recognition events and activities throughout the country.

For more information about National Tradesmen Day, visit www.nationaltradesmenday.com.

Table of Contents

■ Pliers, Wrenches & Locking Tools	5
■ Clamping Tools	25
■ Vises	33
■ Chisels	39
■ Snips	43
■ Levels	45
■ Marking & Layout Tools	57
■ Handsaws	63
■ Utility Knives & Blades	67
■ Circular Saw Blades	73
■ Linear Edge	85
■ Fastener Drive & Screwdriving	93
■ Masonry Drilling	127
■ Metal Drilling	137
■ Wood Drilling	157
■ Taps & Dies	173
■ Extractors	219
■ Worksite Products	227
■ Index	232

IRWIN®

WISE-GRIP®

Locking Tools, Pliers & Wrenches



www.irwin.com

The Choice of Professional Tradesmen Since 1924

The IRWIN® VISE-GRIP® brand is legendary. Professional tradesmen have trusted the strength and durability of VISE-GRIP pliers since 1924. With proven performance in every turn, these are the tools that tradesmen choose first – and pass on to the next generation.

VISE-GRIP locking tools have twice the life of any other locking tools. The familiar VISE-GRIP Original™ locking tools, with the classic guarded trigger release, continue to be an industry leader. Our innovative VISE-GRIP Fast Release™ locking pliers have a one-handed, triggerless release, so they're twice as easy to open as the traditional design. Plus, anti-pinch, non-slip ProTouch™ Grips provide comfort, control, and less hand fatigue.

The newly re-engineered curved jaw (CR) locking pliers are the latest innovation in the VISE-GRIP family of locking tools. With a self-energizing lower jaw, these locking tools have three times more gripping power than traditional locking pliers, and will never slip or strip. There's no need for heavy input pressure – the jaws tighten to provide maximum grip as more torque is applied to the tool. The CR range is available in both Original and Fast Release.

VISE-GRIP GrooveLock tongue and groove pliers have a press-n-slide button that adjusts the jaws twice as fast as other tongue and groove pliers. Anti-pinch, non-slip ProTouch™ Grips provide comfort, control, and less hand fatigue. With precise jaw positioning and a multi-groove ratcheting system, GrooveLock pliers are available in straight, smooth, and v-shaped jaws.

In addition to locking tools and tongue and groove pliers, VISE-GRIP offers a full line of pliers and wrenches, including traditional pliers, pipe wrenches, and specialty tools – all backed by the IRWIN VISE-GRIP Lifetime Guarantee.

IRWIN VISE-GRIP pliers and wrenches continue to set the standard for dependability, quality, and innovation... today and tomorrow. Wherever there's a need for a quality tool, IRWIN VISE-GRIP is on the job.



The Perfect Grip for Any Job

The Original
SINCE 1924™

IRWIN VISE-GRIP Original locking tools, with a classic guarded trigger release, are designed to provide maximum locking force.



Fast Release™

IRWIN VISE-GRIP Fast Release locking pliers have a one-handed, triggerless release, so they're twice as easy to open as the traditional design. Plus, anti-pinch, non-slip ProTouch™ Grips provide comfort, control, and less hand fatigue.



CURVED JAW LOCKING PLIERS
FEATURES

1. Patented curved jaw (CR) design is perfect for securely gripping and torquing multiple surface shapes, such as round pipe, square or hex bolts, and more; ideal for any application that requires maximum torque.
2. Self-energizing lower jaw allows jaw to align on workpiece for maximum grip without slipping or stripping; provides maximum torque or grip without requiring heavy input pressure; jaw mechanism grips tighter as more torque is applied to the tool.
3. Fast Release™ handle for one-handed, triggerless release with no pinch points.
4. ProTouch™ grips have molded handles for comfort, control, and less hand fatigue.
5. Hex key adjusting screw offers controlled release, and draws materials tightly together.



LOCKING TOOLS, PLIERS & WRENCHES

ProTouch™
GRIPS

3X MORE GRIPPING POWER*

2X LONGER LIFE*



*vs. traditional locking pliers

Locking Tools, Pliers & Wrenches

Locking Pliers

WISE-GRIP® Curved Jaw Locking Pliers



11T



4935576

- Self-energizing lower jaw provides three times more gripping power, with no slipping or stripping on any style nut or bolt head.

Model	Description	Jaw Capacity	Carded Item #
Fast Release™			
10CR®	Fast Release Curved Jaw - 10" (250 mm)	1-7/8" (48 mm)	11T
7CR®	Fast Release Curved Jaw - 7" (175 mm)	1-1/2" (38 mm)	13T
5CR®	Fast Release Curved Jaw - 5" (125 mm)	1-1/8" (29 mm)	4935581
Original™			
10CR	Original Curved Jaw - 10" (250 mm)	1-7/8" (48 mm)	4935576
7CR	Original Curved Jaw - 7" (175 mm)	1-1/2" (38 mm)	4935578
5CR	Original Curved Jaw - 5" (125 mm)	1-1/8" (29 mm)	4935579

WISE-GRIP Straight Jaw Locking Pliers



1T



102L3

- Straight jaw provides maximum contact on flat, square or hex materials.

Model	Description	Jaw Capacity	Carded Item #
Fast Release™			
10R®	Fast Release Straight Jaw - 10" (250 mm)	1-7/8" (48 mm)	1T
7R®	Fast Release Straight Jaw - 7" (175 mm)	1-1/2" (38 mm)	3T
Original™			
10R	Original Straight Jaw - 10" (250 mm)	1-7/8" (48 mm)	102L3
7R	Original Straight Jaw - 7" (175 mm)	1-1/2" (38 mm)	302L3

WISE-GRIP Curved Jaw Locking Pliers with Wire Cutter



5T



502L3

- Curved jaw with built-in wire cutter is great for a variety of applications and material shapes.

Model	Description	Jaw Capacity	Carded Item #
Fast Release™			
10WR®	Fast Release Curved Jaw w/ Wire Cutter 10" (250 mm)	1-7/8" (48 mm)	5T
7WR®	Fast Release Curved Jaw w/ Wire Cutter 7" (175 mm)	1-1/2" (38 mm)	7T
5WR®	Fast Release Curved Jaw w/ Wire Cutter 5" (125 mm)	1-1/8" (29 mm)	9T
Original™			
10WR	Original Curved Jaw w/ Wire Cutter 10" (250 mm)	1-7/8" (48 mm)	502L3
7WR	Original Curved Jaw w/ Wire Cutter 7" (175 mm)	1-1/2" (38 mm)	702L3
5WR	Original Curved Jaw w/ Wire Cutter 5" (125 mm)	1-1/8" (29 mm)	902L3
4WR®	Original Curved Jaw w/ Wire Cutter 4" (100 mm)	1" (25 mm)	1002L3

VICE-GRIP Long Nose Locking Pliers



- Long, straight nose provides easy access in narrow, hard-to-reach places.

VICE-GRIP Locking C-Clamps with Regular Tips



- Wide-opening jaw provides greater versatility for clamping a variety of shapes.

VICE-GRIP Locking C-Clamps with Swivel Pads



- Swivel pads hold tapered work, cumbersome fabricating jobs and delicate projects without damaging the work surface.

Model	Description	Jaw Capacity	Carded Item #
Fast Release™			
9LN®	Fast Release Long Nose - 9" (225 mm)	2-3/4" (70 mm)	15T
6LN®	Fast Release Long Nose - 6" (150 mm)	2" (51 mm)	14T
Original™			
9LN	Original Long Nose - 9" (225 mm)	2-3/4" (70 mm)	1502L3
6LN	Original Long Nose - 6" (150 mm)	2" (51 mm)	1402L3
4LN®	Original Long Nose - 4" (100 mm)	1-5/8" (41 mm)	1602L3

Model	Description	Jaw Capacity	Carded Item #
Fast Release™			
11R®	Fast Release Locking Clamp - 11" (275 mm)	4" (102 mm)	19T
6R®	Fast Release Locking Clamp - 6" (150 mm)	2-1/8" (54 mm)	17T
Original™			
24R®	Original Locking Clamp - 24" (605 mm)	10" (254 mm)	275
18DR®	Original Locking Clamp - 18" (455 mm)	7-1/2" (190 mm)	211ZR
18R®	Original Locking Clamp - 18" (455 mm)	8" (203 mm)	21
11R	Original Locking Clamp - 11" (275 mm)	4" (102 mm)	19
9DR®	Original Locking Clamp - 9" (225 mm)	4-1/2" (114 mm)	30
6R	Original Locking Clamp - 6" (150 mm)	2-1/8" (54 mm)	17

Model	Description	Jaw Capacity	Carded Item #
Original™ Handle			
24SP™	Locking Clamp w/ Swivel Pads - 24" (605 mm)	10" (254 mm)	28
18SP™	Locking Clamp w/ Swivel Pads - 18" (455 mm)	8" (203 mm)	22
11SP®	Locking Clamp w/ Swivel Pads - 11" (275 mm)	4" (102 mm)	20
9SP™	Locking Clamp w/ Swivel Pads - 9" (225 mm)	4-1/2" (114 mm)	31
6SP™	Locking Clamp w/ Swivel Pads - 6" (150 mm)	2-1/8" (54 mm)	18
4SP™	Locking Clamp w/ Swivel Pads - 4" (100 mm)	1-5/8" (41 mm)	165



- Soft pads fit 11SP, 18SP and 24SP (see page 13)

LOCKING TOOLS, PLIERS & WRENCHES

Locking Tools, Pliers & Wrenches

Locking Wrenches / Specialty Tools

WISE-GRIP® Locking Wrenches



2

- Heavy duty jaws lock onto three sides of a hex fastener, and won't slip or mar the work piece.

Model	Description	Jaw Capacity	Carded Item #
Original™			
10LW®	Locking Wrench - 10" (250 mm)	5/8" - 1-1/8" (16 mm - 28 mm)	2
7LW®	Locking Wrench - 7" (175 mm)	7/16" - 3/4" (11 mm - 19 mm)	4
4LW®	Locking Wrench - 4" (100 mm)	1/4" - 9/16" (7 mm - 14 mm)	8

Specialty Tools

WISE-GRIP Large Jaw Locking Pliers



12L3

- Heavy-duty jaws grip all shapes; ideal for plumbers, mechanics, welders, and large jobs.

WISE-GRIP Locking Panel Clamp



251

- Provides quick clamping and alignment of auto body panels.

WISE-GRIP Locking Sheet Metal Tool



23

- Makes bending, forming and crimping sheet metal easier.

WISE-GRIP Locking Chain Clamp



27ZR

- Chain holds and locks around any shape or size.

WISE-GRIP Locking Welding Clamp



25ZR

- U-shaped jaw provides enhanced visibility and more working space.

WISE-GRIP Locking Pinch-Off Tool



29

- Pinches off and locks onto tubing, leaving both hands free to do other work.

Model	Description	Jaw Capacity	Carded Item #
12LC®	Large Jaw Locking Pliers - 12" (300 mm)	3-1/8" (79 mm)	12L3
8R®	Locking Sheet Metal Tool - 8" (200 mm)	3-1/8" (78 mm)	23
9R®	Locking Welding Clamp - 9" (225 mm)	2-3/4" (70 mm)	25ZR
9AC®	Locking Panel Clamp - 9" (225 mm)	2-3/4" (70 mm)	251
20R®	Locking Chain Clamp - 9" (225 mm)	18" (455 mm)	27ZR
RR®	Locking Pinch-off Tool - 7" (175 mm)	1/4" (6 mm)	29

Replacement Parts & Accessories

Genuine VISE-GRIP replacement parts include springs, adjusting screws, chains and pads.

Description	Item #
5-Pc. Adjusting Screw Set (10R [®] , 10WR [®] , 10CR [®] , 20R [®] , 12LC [®] , 11R [®] , 11SP [®] , 18R [®] , 18SP [™] , 24R [™] , 24SP [™] , & 10LW [®] Locking Tools)	2071910
5-Pc. Adjusting Screw Set (7R [®] , 7WR [®] , 7CR [®] , 7LW [®] , 9LN [®] , 8R [®] , 9R [®] , RR [™] Locking Tools)	2071907
5-Pc. Adjusting Screw Set (5WR [®] , 6LN [®] , 6R [®] , 6SP Locking Tools)	2071905
5-Pc. Adjusting Screw Set (4WR [®] , 4LN [®] , 4SP [™] and 4LW [®] Locking Tools)	2071904
5-Pc. Replacement Spring Set (24R [™] , 24SP [™] , 18R [®] , 18SP [™] , 18DR [™] Locking Tools)	4935309
5-Pc. Replacement Spring Set (10R [®] , 10WR [®] , 10CR [®] , 11R [®] , 11SP, 20R [®] , 12LC [®] , and 10LW [®] Locking Tools)	4008
5-Pc. Replacement Spring Set (9DR [™] and 9SP [™] Locking Tools)	4050ZR
5-Pc. Replacement Spring Set (7R [®] , 7WR [®] , 7CR [®] , 7LW [®] , 9LN [®] , 8R [®] , 9R [®] and RR [™] Locking Tools)	4022ZR
5-Pc. Replacement Spring Set (5WR [®] , 6LN [®] , 6R [®] , and 6SP [®] Locking Tools)	4052ZR
5-Pc. Replacement Spring Set (4WR [®] , 4LN [®] , 4SP [™] and 4LW [®] Locking Tools)	4092
4-Pc. Soft Pads Set (11SP [®] , 18SP [®] , 24SP [®])	40153
Replacement Chain 18" / 455 mm For 20R [®] Locking Pliers	40REP
Extension Chain 18" / 455 mm For 20R [®] Locking Pliers	40EXT



- Replacement screws offered in quantities of five (5).
- Sizes available for all locking tools.
- Hex key adjust in all sizes.



- Replacement springs offered in quantities of five (5).
- Sizes available for all locking tools.



40153

- Soft pads offered in quantities of four (4).
- Fit 11SP, 18SP and 24SP.



40REP

- Replacement chain and extension for 20R (individually offered).

LOCKING TOOLS, PLIERS & WRENCHES

Locking Tools, Pliers & Wrenches

Locking Pliers Sets

Packaged Sets

Fast Release



Fast Release Locking Pliers
(2-piece Set)
77T



Fast Release Locking Pliers
(2-piece Set)
1771883



Fast Release Locking Pliers
(2-piece Set)
214T



Fast Release Locking Pliers w/ Kitbag
(3-piece Set)
76KBT

The Original

SINCE 1924™



The Original Locking Pliers
(2-piece Set)
36



The Original Locking Pliers
(2-piece Set)
37



The Original Locking Pliers
(3-piece Set)
73



The Original Locking Pliers
(3-piece Set)
4935580

LOCKING TOOLS, PLIERS & WRENCHES

Kitbags



Fast Release Locking Pliers
(4-piece Set)
428KBT



Fast Release Locking Pliers
(5-piece Set)
538KBT



Fast Release Locking Pliers
(6-piece Set)
2076709



Fast Release Locking Pliers
(7-piece Set)
757KBT



The Original Locking Pliers
(4-piece Set)
71



The Original Locking Pliers
(5-piece Set with T-shirt)
74



The Original Locking Pliers
(6-piece Set with 6 Koozies)
641



The Original Locking Pliers
(7-piece Set)
757KB

Tray Sets and Other Sets



The Original™ Locking Pliers
(5-piece Tool Bag Set)
2077704



The Original Locking Pliers (10-piece Set)
1078KB



The Original Locking Pliers (10-piece
Tray Set)
1078TRAY



Fast Release™ Locking Pliers
(10-piece Tray Set)
1078TRT

Description	Item #
2-Pc. Fast Release Locking Pliers Set (Contains: 10WR® and 6LN®)	77T
2-Pc. Fast Release Locking Pliers Set (Contains: 7CR® 9LN®)	1771883
2-Pc. Fast Release Locking Pliers Set (Contains: 6LN® and 5CR®)	1771884
2-Pc. Fast Release Locking Pliers Set (Contains: 10WR® and 7WR®)	214T
2-Pc. Original Locking Pliers Set (Contains: 10WR® and 7WR®)	1771879
2-Pc. Original Locking Pliers Set (Contains: 7WR® and 6LN®)	36
2-Pc. Original Locking Pliers Set (Contains: 10WR® and 5WR®)	37
2-Pc. Original Clamping Set (Contains: (2) 9SP™ and (4) Protective Pads)	45619
3 Pc. Fast Release Locking Pliers Kitbag Set (Contains: 10WR®, 9LN® and 7R®)	76KBT
3-Pc. Fast Release Locking Pliers Set (Contains: 10WR®, 7WR® and 5WR®)	1771882
3-Pc. Original Locking Pliers Set (Contains: 10WR®, 7R® and 6LN®)	323S
3-Pc. Original Locking Pliers Kitbag Set (Contains: 10WR®, 6LN® and 5CR®)	73
3-Pc. Original Locking Pliers Set (Contains: 5WR®, 7WR® and 10WR®)	1771880
3-Pc. Original Locking Pliers & 8-n-1 Multi-Tool Set (Contains: 10R®, 7CR® and 5WR®)	2077703
3-Pc. Original Locking Pliers Tray Set (Contains: 10CR®, 7CR® and 5CR®)	4935580
4-Pc. Fast Release Locking Pliers Kitbag Set (Contains: 10CR®, 7R®, 6LN® & 5WR®)	428KBT
4-Pc. Original Locking Pliers Kitbag Set (Contains: 10CR®, 7R®, 6LN® & 5WR®)	71
5-Pc. Fast Release Locking Pliers Kitbag Set (Contains: 10R®, 10CR®, 7WR®, 6LN® & 5WR®)	538KBT
5-Pc. Original Locking Pliers Tool Bag Set (Contains: 10R®, 10WR®, 7CR®, 5WR® & 6LN®)	2077704
5-Pc. Original Locking Pliers Kitbag Set (Contains: 10R®, 10CR®, 7WR®, 6LN®, & 5CR®)	68
5-Pc. Original Locking Pliers and Clamps with T-shirt Set (Contains: (1) 10R®, (2) 11R®, (2) 6R® & T-shirt)	74
6-Pc. Fast Release Locking Pliers Kitbag Set (Contains: 10R®, 7WR®, 6LN®, 5CR®, 11R® & 6R®)	2076709
6-Pc. Original Locking Pliers Kitbag with 6 Koozie Cups Set (Contains: 10WR®, 9LN®, 7R®, 6LN®, 5CR® & 4WR®)	641
7-Pc. Fast Release Locking Pliers Kitbag Set (Contains: 10R®, 7R®, 10CR®, 7WR®, 6LN®, 5WR® & 9LN®)	757KBT
7-Pc. Original Locking Pliers Kitbag Set (Contains: 10CR®, 6LN®, 7R®, 10LW®, 7LW®, 5CR® & 12LC®)	757KB
8-Pc. Original Locking Clamp Set (Contains: (2) 6R®, (2) 11R®, (2) 18R® & (2) 24R™)	8107ZR
10-Pc. Fast Release Locking Pliers Tray Set (Contains: 10R®, 10WR®, 7R®, 7WR®, 7CR®, 5WR®, 6LN®, 9LN®, 6R® & 11R®)	1078TRT
10-Pc. Original Locking Pliers Tray Set (Contains: 10R®, 10CR®, 7R®, 7WR®, 7CR®, 5WR®, 6LN®, 9LN®, 6R® & 11R®)	1078TRAY
10-Pc. Original Locking Pliers Kitbag Set (Contains: 10R®, 10CR®, 7R®, 7WR®, 7CR®, 5WR®, 6LN®, 9LN®, 6R® & 11R®)	1078KB

WISE-GRIP® GrooveLock Pliers

GrooveLock
Pliers

2X FASTER*
QUICK-ADJUSTING LOWER JAW

GrooveLock Pliers

FEATURES

1. Press-n-slide button adjusts jaws 2X faster than traditional groove joint pliers.
2. Multi-groove ratcheting system has twice the groove positions than other groove joint pliers, for precise positioning on any type of work surfaces.
3. Anti-pinch, non-slip ProTouch™ Grips provide comfort, control, and less hand fatigue.



ProTouch
GRIPS

LOCKING TOOLS, PLIERS & WRENCHES

IRWIN
LIFETIME
GUARANTEE™



Straight Jaw



V-Jaw



Smooth Jaw

* vs. traditional groove joint pliers

Model	Description	Jaw Capacity	Jaw Positions	Item #
GV6	GrooveLock 6"/150 mm V-Jaw Pliers	1-1/8"	11	4935351
GV8R	GrooveLock 8"/200 mm Straight Jaw Pliers	1-3/4"	13	4935095
GV8	GrooveLock 8"/200 mm V-Jaw Pliers	1-3/4"	13	2078108
GV10R	GrooveLock 10"/250 mm Straight Jaw Pliers	2-1/4"	16	4935096
GV10	GrooveLock 10"/250 mm V-Jaw Pliers	2-1/4"	16	2078110
GV10S	GrooveLock 10"/250 mm Smooth Jaw Pliers	2-1/4"	16	4935097
GV12R	GrooveLock 12"/300 mm Straight Jaw Pliers	2-3/4"	19	4935098
GV12	GrooveLock 12"/300 mm V-Jaw Pliers	2-3/4"	19	2078112
GV12S	GrooveLock 12"/300 mm Smooth Jaw Pliers	2-3/4"	19	4935099
GV16	GrooveLock 16"/400 mm V-Jaw Pliers**	4-1/2"	21	2078116
GV20	GrooveLock 20"/500 mm V-Jaw Pliers**	6"	26	2078120

**Dipped grips

VICE-GRIP Long Reach Pliers



1773583

- Superior long reach design for working in confined areas.
- Machined jaws for maximum gripping strength.

Model	Description	Size	Jaw Length	Jaw Width	Jaw Thickness	Wire Cutter	Grip Type	Item #
LRNN	11" Long Reach Needle Nose Pliers	11"/280 mm	3"	2-1/2"	3/8"	NO	Dipped	1773582
LR45	11" Long Reach Bent Nose Pliers (45 Degrees)	11"/280 mm	2-1/2"	2-1/4"	3/8"	NO	Dipped	1773583
LRLN	11" Long Reach Long Nose Pliers	11"/280 mm	3-1/4"	2-1/2"	3/8"	NO	Dipped	1773584
LR90	11" Long Reach Bent Nose Pliers (90 Degrees)	11"/280 mm	2"	2"	3/8"	NO	Dipped	1773387
LRFN	11" Long Reach Flat Nose Pliers	11"/280 mm	3-1/4"	2-1/2"	3/8"	NO	Dipped	1773388
LRDIA	11" Long Reach Diagonal Pliers	11"/280 mm	1"	1-1/8"	7/16"	YES	Dipped	1773389
LR20	11" Long Reach Bent Nose Pliers (20 Degrees)	11"/280 mm	3-1/4"	1-3/4"	3/8"	NO	Dipped	1773390

VICE-GRIP Long Nose Pliers



1773624



1773626

- Induction-hardened cutting edge stays sharp longer.
- Machined jaws for maximum gripping strength.

Model	Size	Jaw Length	Jaw Width	Jaw Thickness	Wire Cutter	Wire Stripper	Wire Crimper	Grip Type	Item #
LN6	6"/150 mm	1-7/8"	3/4"	7/16"	YES	NO	NO	ProTouch	2078216
LN8	8"/200 mm	2-7/16"	15/16"	15/32"	YES	NO	NO	ProTouch	2078218
LN6E	6"/150 mm	1-7/8"	3/4"	7/16"	YES	YES	YES	Dipped	1773626
LN8E	8"/200 mm	2-7/16"	15/16"	15/32"	YES	YES	NO	ProTouch	1773624

VICE-GRIP Needle Nose Pliers



1773619

- Machined jaws for maximum gripping strength.

Model	Size	Jaw Length	Jaw Width	Jaw Thickness	Wire Cutter	Grip Type	Item #
NN8	8"/200 mm	1-1/5"	1/2"	13/16"	NO	Dipped	1773619

VICE-GRIP Flat Nose Pliers



1773621

- Machined jaws for maximum gripping strength.

Model	Size	Jaw Length	Jaw Width	Jaw Thickness	Grip Type	Item #
FL6	6"/150 mm	2"	2"	7/16"	Dipped	1773621
FL8	8"/200 mm	1-1/5"	2-1/8"	15/32"	Dipped	1773620

VICE-GRIP Bent Nose Pliers



2078226

- Induction-hardened cutting edge stays sharp longer.
- Machined jaws for maximum gripping strength.

Model	Size	Jaw Length	Jaw Width	Jaw Thickness	Wire Cutter	Grip Type	Item #
BN6	6"/150 mm	1-9/16"	3/4"	7/16"	YES	ProTouch	2078226
BN8	8"/200 mm	2"	15/16"	15/32"	YES	ProTouch	2078228

LOCKING TOOLS, PLIERS & WRENCHES

Locking Tools, Pliers & Wrenches

Pliers

WISE-GRIP® Lineman's Pliers



1773614

- Induction-hardened cutting edge stays sharp longer.
- Machined jaws for maximum gripping strength.

Model	Size	Jaw Length	Jaw Width	Jaw Thickness	Wire Stripper	Fish Tape Puller	Wire Crimper	Grip Type	Item #
LP8	8"/200 mm	1-15/32"	1-3/16"	9/16"	NO	NO	NO	ProTouch	2078208
LP9	9.5"/240 mm	1-9/16"	1-1/4"	5/8"	NO	NO	NO	ProTouch	2078209
LP9F	9.5"/240 mm	1-9/16"	1-1/4"	5/8"	NO	YES	NO	ProTouch	1773615
LP9FC	9.5"/240 mm	1-9/16"	1-1/4"	5/8"	YES	YES	YES	ProTouch	1773614

WISE-GRIP Combination Pliers



1771975

- Machined jaws for maximum gripping strength.
- ProTouch™ grips provide comfort, control and less hand fatigue.

Model	Size	Jaw Length	Jaw Width	Jaw Thickness	Wire Cutter	Grip Type	Item #
CB6	6"/150 mm	1-3/8"	1-1/4"	1/4"	YES	ProTouch	1771973
CB8	8"/200 mm	1-3/4"	1-1/4"	5/16"	YES	ProTouch	1771975

WISE-GRIP Diagonal Cutting Pliers



1773633

1773628
1773632



Plastic Cutting Pliers

- Induction-hardened cutting edge stays sharp longer.
- ProTouch™ grips provide comfort, control and less hand fatigue.

Model	Size	Jaw Length	Jaw Width	Jaw Thickness	Tapered Nose	Angled Head	Adj. Screw	Grip Type	Item #
Diagonal Cutting Pliers									
DIA6	6"/150 mm	13/16"	13/16"	13/32"	NO	NO	NO	ProTouch	2078306
DIA7	7"/175 mm	13/16"	1-5/32"	1/2"	NO	NO	NO	ProTouch	2078307
DIA8	8"/200 mm	7/8"	1-1/8"	7/16"	NO	NO	NO	ProTouch	2078308
DIA8A	8"/200 mm	7/8"	1-1/8"	7/16"	NO	YES	NO	ProTouch	1773633
DIA10	10"/250 mm	1-7/16"	1-3/16"	7/16"	NO	NO	NO	ProTouch	1773634
DIA5T	5"/125 mm	3/4"	13/16"	1/4"	YES	NO	NO	Dipped	1773636
DIA6T	6"/150 mm	7/8"	13/16"	3/8"	YES	NO	NO	Dipped	1773635
Plastic Cutting Pliers									
DIA6P	6"/150 mm	7/8"	13/16"	1/4"	NO	NO	YES	Dipped	1773628
DIA8P	8"/200 mm	1"	1-1/16"	5/16"	NO	NO	YES	Dipped	1773632

WISE-GRIP End Cutting Pliers



2078318

- Wide throat clearance allows semi-flush cutting of nails and rivets.
- Induction-hardened cutting edge stays sharp longer.

Model	Size	Jaw Length	Jaw Width	Jaw Thickness	Wire Cutter	Grip Type	Item #
EC8	8"/200 mm	1/2"	1-21/32"	1-1/8"	YES	ProTouch	2078318

WISE-GRIP Cable Cutting Pliers



2078328

- Cuts up to 3/0 fine-stranded copper battery cable.
- Induction-hardened cutting edge stays sharp longer.

Model	Size	Jaw Length	Jaw Width	Jaw Thickness	Type of Wire	Grip Type	Item #
CC8	8"/200 mm	13/16"	1-1/4"	19/32"	Copper & Aluminum	ProTouch	2078328

LOCKING TOOLS, PLIERS & WRENCHES

WISE-GRIP Groove Joint Pliers



4935321



1773625

- Straight jaw has right angle teeth that grip in all directions for maximum bite.
- Curved jaw is versatile to grip a variety of work surfaces.
- Smooth jaw is ideal for vulnerable surfaces, such as chrome and PVC.
- All available in ProTouch™ (6", 8", 10", 12") or dipped (4", 16" straight; 12" curved) grips for comfort, control and less hand fatigue.

WISE-GRIP Water Pump Pliers



4935512

- Narrow tool design for working in confined areas.
- V-shaped jaws work on square, hex, or round work pieces.

WISE-GRIP Slip Joint Pliers



1773616



1773616

- Machined jaws for maximum gripping strength.
- ProTouch™ grips provide comfort, control and less hand fatigue.
- Also available with dipped grips or steel handles.

Model	Size	Jaw Capacity	Jaw Thickness	Jaw Positions	Grip Type	Item #
-------	------	--------------	---------------	---------------	-----------	--------

Straight Jaw Groove Joint Pliers

GJ4	5"/125 mm	1/2"	3/16"	3	Dipped	1773618
GJR6	6"/150 mm	1"	3/8"	4	ProTouch	4935318
GJR8	8"/200 mm	1-1/2"	13/32"	5	ProTouch	4935320
GJR10	10"/250 mm	2"	13/32"	7	ProTouch	4935321
GJR12	12"/300 mm	2-1/4"	1/2"	7	ProTouch	4935322
GJ16	16"/400 mm	4-1/4"	17/32"	9	Dipped	2078516

Curved Jaw Groove Joint Pliers

GJ6	6"/150 mm	1"	3/8"	4	ProTouch	2078506
GJ8	8"/200 mm	1-1/2"	13/32"	5	ProTouch	2078508
GJ10	10"/250 mm	2"	13/32"	7	ProTouch	2078510
GJ12	12"/300 mm	2-1/4"	1/2"	7	ProTouch	2078512
GJ12G	12"/300 mm	2-1/4"	1/2"	7	Dipped	1773625

Smooth Jaw Groove Joint Pliers

GJS6	6"/150 mm	1"	3/8"	4	ProTouch	4935317
GJS8	8"/200 mm	1-1/2"	13/32"	5	ProTouch	4935319
GJS10	10"/250 mm	2"	13/32"	7	ProTouch	2078500
GJS12	12"/300 mm	2-1/4"	1/2"	7	ProTouch	4935323

Size	Jaw Capacity	Jaw Thickness	Jaw Positions	Grip Type	Item #
------	--------------	---------------	---------------	-----------	--------

6"/150 mm	1"	1/4"	7	Dipped	4935511
8"/200 mm	1-1/2"	1/4"	7	Dipped	4935512
10"/250 mm	2"	5/16"	7	Dipped	4935513
12"/300 mm	2-1/4"	5/16"	7	Dipped	4935514

Model	Size	Jaw Length	Jaw Width	Jaw Thickness	Thin Nose Profile	Wire Cutter	Grip Type	Item #
-------	------	------------	-----------	---------------	-------------------	-------------	-----------	--------

SJ6	6"/150 mm	1-1/8"	1-5/32"	7/16"	NO	YES	ProTouch	2078406
SJ8	8"/200 mm	1-5/16"	1-11/32"	7/16"	NO	YES	ProTouch	2078408
SJ10	10"/250 mm	1-3/4"	2-1/2"	7/16"	NO	YES	ProTouch	1773637
SJ6T	6"/150 mm	1-1/4"	1-5/32"	3/16"	YES	YES	Dipped	1773623
SJ6S	6"/150 mm	1-1/8"	1-5/32"	7/16"	NO	YES	Steel Handle	1773617
SJ8S	8"/200 mm	1-5/16"	1-11/32"	7/16"	NO	YES	Steel Handle	1773616

Locking Tools, Pliers & Wrenches

Pliers

WISE-GRIP Iron Workers Pliers



2078909

- Induction-hardened cutting edge stays sharp longer.
- Cross-hatched teeth designed to provide aggressive grip.

Model	Size	Jaw Length	Jaw Width	Jaw Thickness	Wire Cutter	Grip Type	Item #
IW9	9"/225 mm	1-1/2"	1-1/4"	19/32"	YES	Dipped	2078909

WISE-GRIP Fencing Pliers



2078901

- The only tool needed to work on metal and wood posts.
- ProTouch™ grips provide comfort, control and less hand fatigue.

Model	Size	Jaw Length	Jaw Width	Jaw Thickness	Wire Cutter	Grip Type	Item #
FP10	10-1/4"/260 mm	13/16"	3-3/16"	19/32"	YES	ProTouch	2078901

WISE-GRIP Concrete Nippers



2078910

- Induction-hardened cutting edge stays sharp longer.
- Precision-machined jaws provide a clean cut.
- ProTouch grips provide comfort, control and less hand fatigue.

Model	Size	Jaw Length	Jaw Width	Jaw Thickness	Wire Cutter	Grip Type	Item #
CN10	10"/250 mm	3/4"	1-3/8"	15/16"	YES	ProTouch	2078910

WISE-GRIP Forged Crimper



2078310

- Designed for crimping insulated and non-insulated connections and terminals on 10-22 AWG wire.
- ProTouch grips provide comfort, control, and less hand fatigue.

Model	Size	Jaw Length	Jaw Width	Jaw Thickness	Wire Cutter	Grip Type	Item #
FC10	10"/250 mm	1-3/16"	1-9/32"	3/16"	YES	ProTouch	2078310

WISE-GRIP Hose Clamp Pliers



1773627

- Jaws designed to easily install or remove wire spring tension clamps.
- Wire shearing feature for added versatility.

Model	Size	Jaw Length	Jaw Width	Jaw Thickness	Wire Cutter	Grip Type	Item #
HC8	8"/200 mm	1-1-2"	1-11/32"	7/16"	YES	Dipped	1773627

WISE-GRIP Conduit and Locknut Reaming Pliers



1773629

- Tightens and loosens 1/2" and 3/4" EMT or 1/2" rigid locknuts.
- Can ream and smooth inside and outside of conduit.
- Ideal for liquid tight fittings and caps.

Model	Size	Jaw Length	Jaw Width	Jaw Thickness	Rigid Locknut Size	EMT Sizes	Grip Type	Item #
CD8	8"/200 mm	1-1/2"	1-3/8"	1/4"	1/2"	1/2" and 3/4"	Dipped	1773629

WISE-GRIP Oil Filter/PVC Pipe Pliers



1773631

- Specially designed for oil filters or PVC pipe.
- 4 adjustment positions for versatility.

Model	Size	Jaw Length	Jaw Capacity	Positions	Grip Type	Item #
OF9	9"/225 mm	1-3/4"	1-3/4"	4	Dipped	1773631

WISE-GRIP Adjustable Wrenches



2078608

- Inch and metric scales included.
- Available in ProTouch (6", 8", 10", 12") or steel handle grips (15", 18", 24").

Model	Adjustable Size	Jaw Capacity	Jaw Width	Jaw Thickness	Grip Type	Item #
AW6	6"/150 mm	15/16"	27/32"	1/4"	ProTouch	2078606
AW8	8"/200 mm	1-1/8"	1"	5/16"	ProTouch	2078608
AW10	10"/250 mm	1-1/4"	1-1/4"	3/8"	ProTouch	2078610
AW12	12"/300 mm	1-1/2"	1-13/32"	7/16"	ProTouch	2078612
AW15	15"/380 mm	1-13/16"	1-27/32"	17/32"	Steel Handle	2078615
AW18	18"/455 mm	2-1/4"	2-3/32"	19/32"	Steel Handle	2078618
AW24	24"/610 mm	2-5/8"	2-5/32"	3/4"	Steel Handle	2078624

Locking Tools, Pliers & Wrenches

Insulated Pliers / Wire Strippers

WISE-GRIP 1000V Insulated Pliers

- All 1000V tools are individually tested at factory and meet ASTM, IEC, VDE and DIN specifications.



10505872NA



10505868NA



10505865NA



10507529NA



10505870NA



10505871NA

Model	Description	Size	Jaw Length	Jaw Width	Jaw Thickness	Wire Cutter	Grip Type	Item #
IC6	Insulated Combination - Standard	6"/150 mm	1-3/8"	1"	3/8"	YES	ProTouch™	10505872NA
IC7	Insulated Combination - High Leverage	7"/170 mm	1-1/2"	1-1/8"	7/16"	YES	ProTouch	10505873NA
IC8	Insulated Combination - High Leverage	8"/200 mm	1-3/4"	1-1/8"	7/16"	YES	ProTouch	10505874NA
IL9	Insulated Linemen's Pliers	8.5"/215 mm	1-7/8"	1-1/16"	1/2"	YES	ProTouch	10507529NA
ILN6	Insulated Long Nose - Standard	6"/150 mm	2-1/8"	11/16"	11/32"	YES	ProTouch	10505868NA
ILN8	Insulated Long Nose - High Leverage	8"/200 mm	3"	13/16"	3/8"	YES	ProTouch	10505869NA
IBN8	Insulated Bent Nose - High Leverage	8"/200 mm	2-3/4"	13/16"	3/8"	YES	ProTouch	10505870NA
ID6	Insulated Standard Diagonal Cutter	6"/150 mm	7/8"	7/8"	7/16"	YES	ProTouch	10505865NA
ID7	Insulated High Leverage Diagonal Cutter	7"/170 mm	13/16"	1-1/8"	1/2"	YES	ProTouch	10505866NA
ID8	Insulated High Leverage Diagonal Cutter	8"/200 mm	7/8"	1-1/8"	3/8"	YES	ProTouch	10505867NA
IWS6	Insulated Wire Stripper	6"/150 mm	3/8"	7/8"	3/8"	NO	ProTouch	10505871NA

WISE-GRIP Wire Strippers

- Available in ProTouch (6", 7", 8", 8-1/2") or dipped (5") grips for comfort.



2078300



2078309



2078317



2078316



2078305



2078900

Model	Description	Size	Jaw Length	Jaw Width	Wire Gauge	Wire Cutter	Grip Type	Item #
WS8	Self-Adjusting Wire Stripper	8"/200 mm	-	2"	10-24 AWG	YES	ProTouch	2078300
CM8	Wire Stripper / Cutter / Crimper	8"/200 mm	1-3/16"	1-1/4"	10-22 AWG	YES	ProTouch	2078309
CM7	Wire Cutter / Crimper	7"/170 mm	1-11/16"	1-1/4"	10-20 AWG	YES	ProTouch	2078317
WS6	Wire Stripper/Cutter	6"/150 mm	1-19/32"	1-1/4"	10-20 AWG	YES	ProTouch	2078316
WS5	Wire Stripper/Cutter	5"/125 mm	5/8"	3/4"	10-24 AWG	YES	Dipped	2078305
CS6	Convertible Snap Ring Pliers	6"/150 mm	1-11/32"	1"	-	NO	ProTouch	2078900

WISE-GRIP Mini Pliers

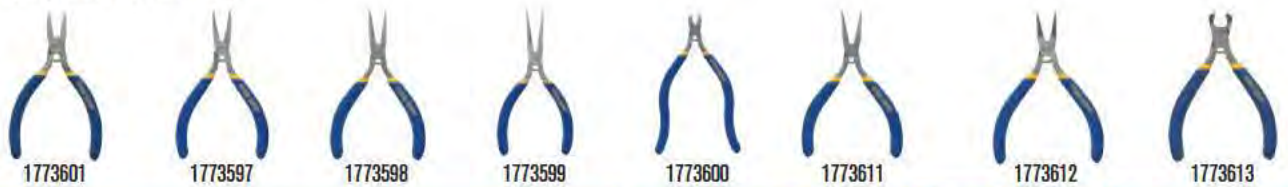
- Spring-loaded to reduce fatigue.
- ProTouch™ grips provide comfort, control and less hand fatigue.



Model	Description	Size	Jaw Length	Jaw Width	Jaw Thickness	Wire Cutter	Spring Loaded	Grip Type	Item #
BN5	Bent Nose Pliers	5"/125 mm	1-1/8"	9/16"	11/32"	NO	YES	ProTouch	2078965
FN5	Flat Nose Pliers	5-1/4"/135 mm	1-1/4"	9/16"	11/32"	NO	YES	ProTouch	2078945
LN5	Long Nose Pliers	5-1/4"/135 mm	1-1/4"	9/16"	11/32"	YES	YES	ProTouch	2078905
EC4	End Nipper	4-1/4"/110 mm	5/16"	9/16"	11/32"	YES	YES	ProTouch	2078904
DC4	Standard Diagonal Pliers	4-1/2"/115 mm	17/32"	9/16"	11/32"	YES	YES	ProTouch	2078935
FD4	Flush-Cut Diagonal Pliers	4-1/2"/115 mm	17/32"	9/16"	11/32"	YES	YES	ProTouch	2078925
LP4	Lineman's Pliers	4-3/4"/120 mm	5/8"	9/16"	11/32"	YES	YES	ProTouch	2078915
NN5	Needle Nose Pliers	5-1/2"/139 mm	1-11/16"	9/16"	11/32"	NO	YES	ProTouch	2078955

WISE-GRIP ESD Mini Pliers

- Electrostatic Discharge (ESD) certified.
- Spring-loaded to reduce fatigue.



Model	Description	Size	Jaw Length	Jaw Width	Jaw Thickness	Wire Cutter	Spring Loaded	Grip Type	Item #
AC5	4-1/2" Angled Cutter with Spring	4-1/2"/115 mm	15/16"	9/16"	11/32"	YES	YES	Dipped	1773601
EC4T	4 1/2" Transverse End-Cutter with Spring	4-1/2"/115 mm	13/16"	9/16"	11/32"	YES	YES	Dipped	1773597
BN5C	5" Curved Nose Pliers with Spring	5"/125 mm	1-1/4"	9/16"	11/32"	NO	YES	Dipped	1773598
NN5R	5-1/2" Needle Nose Pliers with Serrated Jaw	5-1/2"/139 mm	1-1/4"	9/16"	11/32"	NO	YES	Dipped	1773599
AC5F	5-1/2" Full Flush Angled End-Cutter	5-1/2"/139 mm	15/16"	9/16"	11/32"	YES	YES	Dipped	1773600
BN5S	4-1/2" Smooth Jaw Bent Nose Pliers with Spring	4-1/2"/115 mm	1-1/4"	9/16"	11/32"	NO	YES	Dipped	1773611
RN4	4-1/2" Round Nose Pliers with Spring	4-1/2"/115 mm	5/8"	9/16"	11/32"	NO	YES	Dipped	1773612
EC40	4-1/2" 8 Degree Oblique End-Cutter	4-1/2"/115 mm	13/16"	9/16"	11/32"	YES	YES	Dipped	1773613

LOCKING TOOLS, PLIERS & WRENCHES

Locking Tools, Pliers & Wrenches

Traditional Pliers Sets

WISE-GRIP Sets



2-piece GrooveLock™ Pliers Set
1802531



2-piece GrooveLock Pliers Set
1802532



2-piece GrooveLock Pliers Set
1802533



2-piece GrooveLock Pliers Set
1802534



2-piece GrooveLock Pliers Set
1802535



3-piece Groove Joint Pliers Set
1773638



2-piece Groove Joint Pliers Set
1773639



2-piece Traditional Pliers Set
2078701



2-piece GrooveLock Pliers Set
2078709



2-piece Traditional Pliers Set
2078702



3-piece Traditional Pliers Set
2078704



2-piece Adjustable Wrench Set
2078700



3-piece Insulated Pliers Set
10505519NA



4-piece Pliers and Adjustable Wrench Set
2078705



8-piece Mini Pliers Set
2078714



5-piece Pliers & Wrenches Set
2078708



3-piece GrooveLock™ Pliers Set
2078711



8-piece Pliers Set
2078712

LOCKING TOOLS, PLIERS & WRENCHES



7-piece Pliers Set
1802537



5-piece Pliers Set
1802536



3-piece Waterpump Pliers Set
1805630



3-piece Long Reach Pliers Set
1799145



3-piece GrooveLock Pliers Set
2078710



4-piece Adjustable Wrench Set
2078706

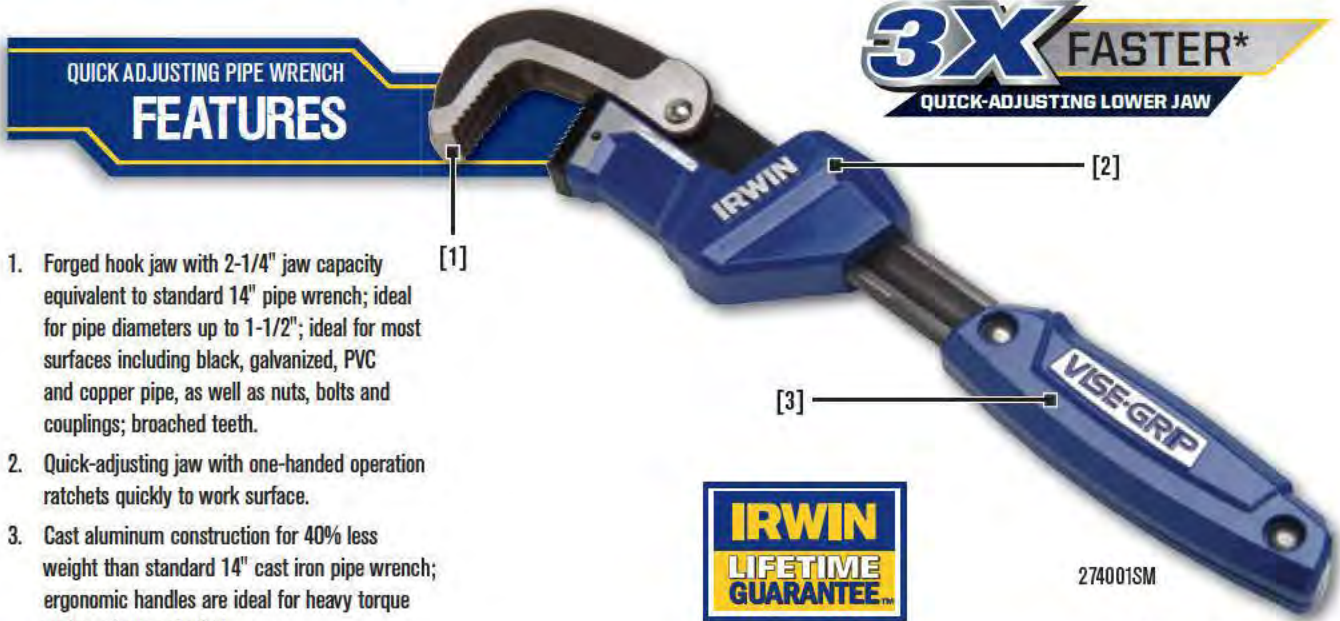


4-piece Pliers Set
2078707

Description	Item #
Traditional Pliers Sets	
3-Piece Groove Joint Pliers Set (Contains: 6", 8" & 10" Straight Jaw)	1773638
2-Piece Groove Joint Pliers Set (Contains: 8" & 10" Straight Jaw)	1773639
3-Piece Long Reach Pliers Set (Contains: 11" Needle Nose, 11" Bent Nose 45°, 11" Bent Nose 90°)	1799145
2-Piece Adjustable Wrench Set (Contains: 6" & 10")	2078700
2-Piece Traditional Pliers Set (Contains: 6" Slip Joint & 10" Groove Joint)	2078701
2-Piece Traditional Pliers Set (Contains: 6" Slip Joint & 6" Long Nose)	2078702
3-Piece Insulated Set (Contains: 6" Diagonal, 7" Combination & 8" Long Nose)	10505519NA
3-Piece Waterpump Pliers Set (Contains: 8", 10" & 12")	1805630
3-Piece Traditional Pliers Set (Contains: 6" Long Nose, 6" Slip Joint & 10" Groove Joint)	2078704
4-Piece Traditional Pliers Set (Contains: 6" Long Nose, 6" Slip Joint, 10" Adjustable Wrench & 10" Groove Joint)	2078705
4-Piece Adjustable Wrench Tray Set (Contains: 6", 8", 10" & 12")	2078706
4-Piece Traditional Pliers Tray Set (Contains: 6" Diagonal, 6" Slip Joint, 8" Long Nose, 10" Groove Joint)	2078707
5-Piece Traditional Pliers Kitbag Set (Contains: 6" Slip Joint, 6" Diagonal, 8" Lineman, 10" Adjustable Wrench, 10" Groove Joint)	2078708
8-Piece Mini Traditional Pliers Set w/ Case (Contains 1 Each: 2078904, 2078945, 2078905, 2078915, 2078925, 2078935, 2078955 & 2078965)	2078714
GrooveLock Pliers Sets	
2-Piece GrooveLock Pliers Set (Contains: GV8, GV10)	2078709
2-Piece GrooveLock Pliers Set (Contains: GV6, GV8)	1802531
2-Piece GrooveLock Pliers Set (Contains: GV8R, GV10R)	1802532
2-Piece GrooveLock Pliers Set (Contains: GV8, GV10R)	1802533
2-Piece GrooveLock Pliers Set (Contains: GV6, GV10R)	1802534
3-Piece GrooveLock Tray Set (Contains: GV8, GV10, GV12)	2078710
3-Piece GrooveLock Kitbag Set (Contains: GV8, GV10, GV12)	2078711
GrooveLock & Traditional Pliers Sets	
2-Piece GrooveLock/Traditional Pliers Kitbag Set (Contains: GV10R, DIA8A)	1802535
5-Piece GrooveLock/Traditional Pliers Kitbag Set (Contains: GV10R, 9LNFC, DIA8A, 8LNE, GV6)	1802536
7-Piece GrooveLock/Traditional Pliers Kitbag Set (Contains: GV6, LN8E, DIA8A, LP9FC, 10CR, 9LN, GV10R)	1802537
8-Piece GrooveLock/Traditional Pliers Kitbag Set (Contains: GV8, GV10, GV12, 10" Adjustable Wrench, 8" Long Nose, 8" Lineman's, 6" Diagonal & 6" Slip Joint)	2078712

LOCKING TOOLS, PLIERS & WRENCHES

IRWIN® VISE-GRIP® Quick Adjusting Pipe Wrench



- QUICK ADJUSTING PIPE WRENCH FEATURES**
1. Forged hook jaw with 2-1/4" jaw capacity equivalent to standard 14" pipe wrench; ideal for pipe diameters up to 1-1/2"; ideal for most surfaces including black, galvanized, PVC and copper pipe, as well as nuts, bolts and couplings; broached teeth.
 2. Quick-adjusting jaw with one-handed operation ratchets quickly to work surface.
 3. Cast aluminum construction for 40% less weight than standard 14" cast iron pipe wrench; ergonomic handles are ideal for heavy torque and maximum comfort.

*than traditional pipe wrenches

Description	Pipe Capacity	Item #
11" Quick-Adjusting Pipe Wrench	1-1/2"	274001SM

LOCKING TOOLS, PLIERS & WRENCHES

VISE-GRIP Cast Aluminum Pipe Wrenches



- 40% lighter than cast iron pipe wrenches.
- Drop-forged jaw is heat-treated to resist distortion or breakage.
- Hardened teeth provide tremendous bite.
- Easy-spin adjusting nut is heat-treated for durability.
- I-beam handle's wide design provides better weight distribution.
- Unique design of hammer head provides flat surface for hammering.

Description	Pipe Capacity	Item #
10" Cast Aluminum Pipe Wrench	1-1/2"	2074110
12" Cast Aluminum Pipe Wrench	2"	2074112
14" Cast Aluminum Pipe Wrench	2"	2074114
18" Cast Aluminum Pipe Wrench	2-1/2"	2074118
24" Cast Aluminum Pipe Wrench	3"	2074124
36" Cast Aluminum Pipe Wrench	5"	2074136
48" Cast Aluminum Pipe Wrench	6"	2074148

VISE-GRIP Cast Iron Pipe Wrenches



- Heavy-duty cast iron housing.
- Drop-forged jaw is heat-treated to resist distortion or breakage.
- Hardened teeth provide tremendous bite.
- Easy-spin adjusting nut is heat-treated for durability.
- I-beam handle's wide design provides better weight distribution.
- Unique design of hammer head provides flat surface for hammering.

Description	Pipe Capacity	Item #
8" Cast Iron Pipe Wrench	1"	274105
10" Cast Iron Pipe Wrench	1-1/2"	274101
12" Cast Iron Pipe Wrench	2"	274106
14" Cast Iron Pipe Wrench	2"	274102
18" Cast Iron Pipe Wrench	2-1/2"	274103
24" Cast Iron Pipe Wrench	3"	274104
36" Cast Iron Pipe Wrench	5"	274107
48" Cast Iron Pipe Wrench	6"	274108

IRWIN®

QUICK-GRIP®

Clamping Tools



www.irwin.com

The Complete Solution for any Clamping Application

IRWIN® QUICK-GRIP® can deliver the right fit, features and pressure for any clamping job – from the smallest craft project to large scale cabinetry. Whether you need the one-handed power of the QUICK-GRIP XP600 or the versatility of the SL300 clamp, you can be sure you will get the clamping performance you need when you reach for the clamp with the QUICK-GRIP brand.

CLAMPING TOOLS APPLICATION GUIDE																
One-Handed Bar Clamps			Handi and Spring Clamps			Traditional Bar Clamps						Specialty Clamps				
Clamps & Specs																
	Micro Bar Clamp	Mini Bar Clamp	QUICK-GRIP OG150	QUICK-GRIP SL300	QUICK-GRIP XP600	HANDI-CLAMP	Metal & Resin Spring Clamps	C-Clamps	Bar Clamp with Wood Handle (Light-Duty)	Bar Clamp, F-Clamp (Med. Duty)	Bar Clamp, F-Clamp (Heavy Duty)	Aluminum Bar Clamp (Light Duty)	Pipe Clamp	Parallel, Box, Cabinet Clamp	Specialty Clamps	
	Holding Force:	35 lbs	140 lbs	150 lbs	300 lbs	600 lbs	30-60 lbs	25-65 lbs	600-1600 lbs	600 lbs	1000 lbs	1150 lbs	800 lbs	1000-1200 lbs Based on Pipe Length	1150 lbs	N/A
	Clamp Capacity:	4"	6"-12"	6"-12"	6"-36"	6"-50"	1-1/2"-4"	1", 2", 3"	1"-8"	6"-24"	6"-36"	12"-30"	24"-48"	1-1/2"-1-7/8"	24"-48"	N/A
Throat Depth:	1-3/16"	2-7/16"	3-1/4"	3-1/4"	3-5/8"	1-1/2"-3"	1", 2", 3"	1-1/8"-4-1/2"	2-1/2"	3"	4-5/8"	1-1/2"	1-1/2"-1-7/8"	3-7/8"	N/A	
Crafts/Light Duty Clamping	BEST	BEST	BETTER	BETTER		BETTER	GOOD	GOOD	GOOD			GOOD				
Temporary hold-down quick clamping	BEST	BEST	BEST	BEST	BEST	BETTER	GOOD									
Flat panels/Solid edge wood glue up / Deep reach clamping					BETTER			GOOD	BETTER	BETTER		GOOD	BEST	BEST		
Irregular shape/ Multiple surface/ Corner joining				BETTER	BETTER										BEST	
Installation/ Demolition/Heavy-duty clamping			GOOD		BETTER			BETTER		BETTER	BEST					
Localized pressure/ Metal working								BEST		BETTER	BETTER		GOOD			

CLAMPING TOOLS

IRWIN.
QUICK-GRIP

BEST Best choice for clamping application

BETTER Better choice for clamping application

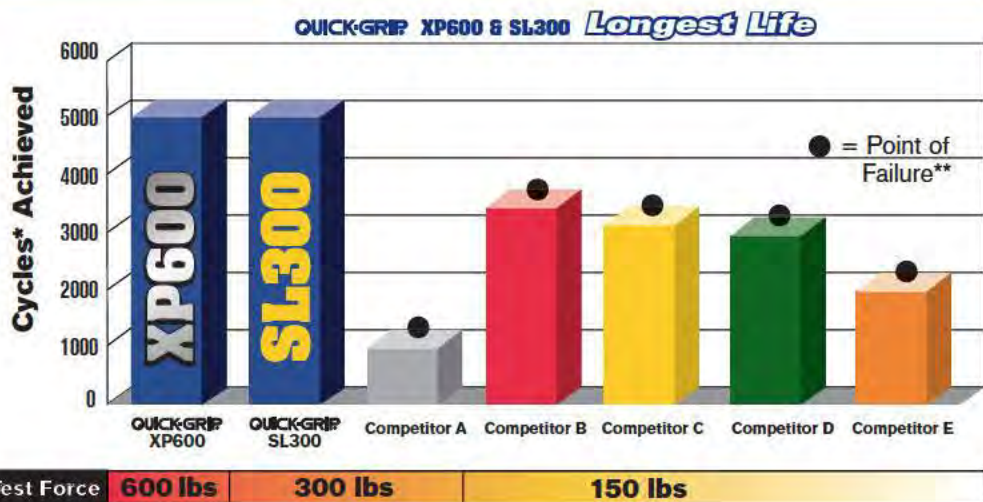
GOOD Good choice for clamping application

One-Handed Bar Clamp Life Test

An overall brand comparison is shown in this chart. Only the IRWIN QUICK-GRIP® XP600 and SL300 are able to complete the 5,000 cycle* test without showing failure.

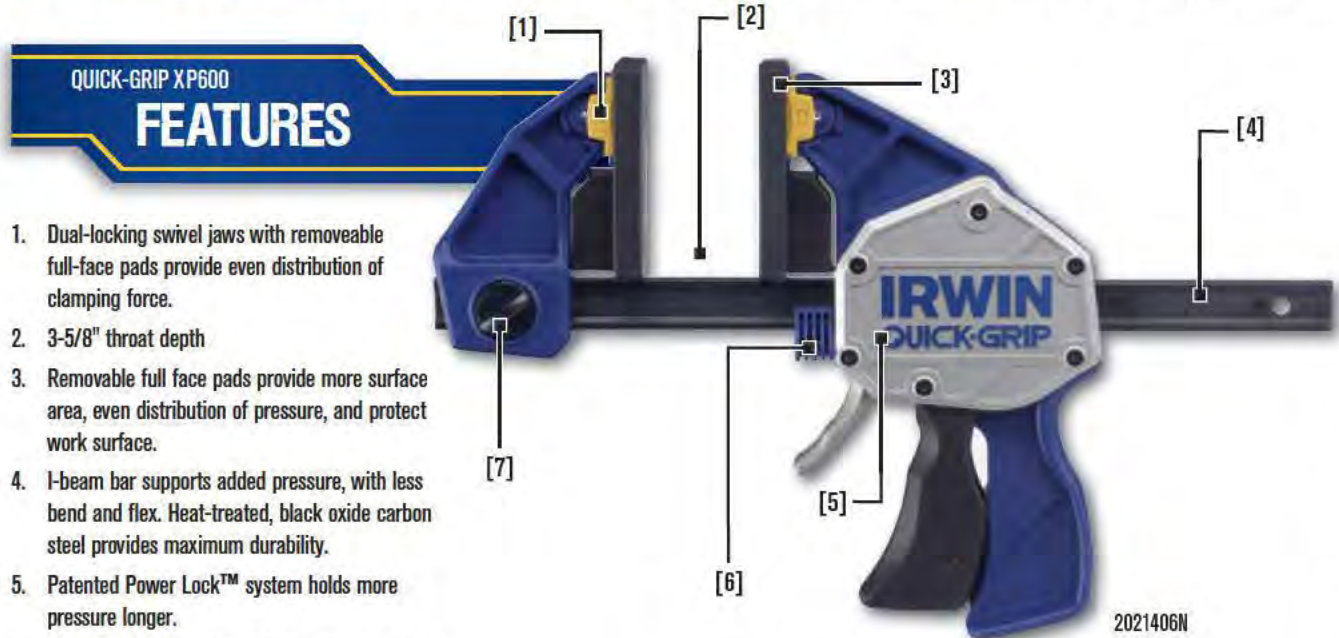
*1 cycle = clamp to test force and release

**Failure = no longer achieving test force



QUICK-GRIP® XP600

With 600 lbs. of sustained clamping pressure/holding force, the IRWIN® QUICK-GRIP® XP600 (Extreme Pressure) is the most powerful one-handed Bar clamp Available. It's ideal for heavy-duty applications such as installation, demolition, and rough glue-up. Dual-locking swivel jaws with removeable, non-marring full-face pads provide even distribution of clamping force on the workpiece. The pads can be easily removed to activate the swivel jaws to maintain full contact and combat flexing at extreme pressure, or for conforming to irregular shapes. An adjustable foot provides added support so the clamp can sit upright on a table or work surface, making it perfect for gluing panels or cabinetry. Plus, the unique pistol grip design and Quick-Release™ trigger provide simple, one-handed operation. The IRWIN QUICK-GRIP XP600 One-Handed Bar Clamp delivers maximum power, versatility, and stability.



QUICK-GRIP XP600 FEATURES

1. Dual-locking swivel jaws with removeable full-face pads provide even distribution of clamping force.
2. 3-5/8" throat depth
3. Removable full face pads provide more surface area, even distribution of pressure, and protect work surface.
4. I-beam bar supports added pressure, with less bend and flex. Heat-treated, black oxide carbon steel provides maximum durability.
5. Patented Power Lock™ system holds more pressure longer.
6. Adjustable foot provides added support so clamp can sit upright on a table or work surface.
7. Quick-Change™ screw easily converts clamp to a spreader, and spring-loaded screw is affixed so it won't get lost.

600 lbs
SUSTAINED CLAMPING FORCE

2021406N

LOCKING TOOLS, PLIERS & WRENCHES

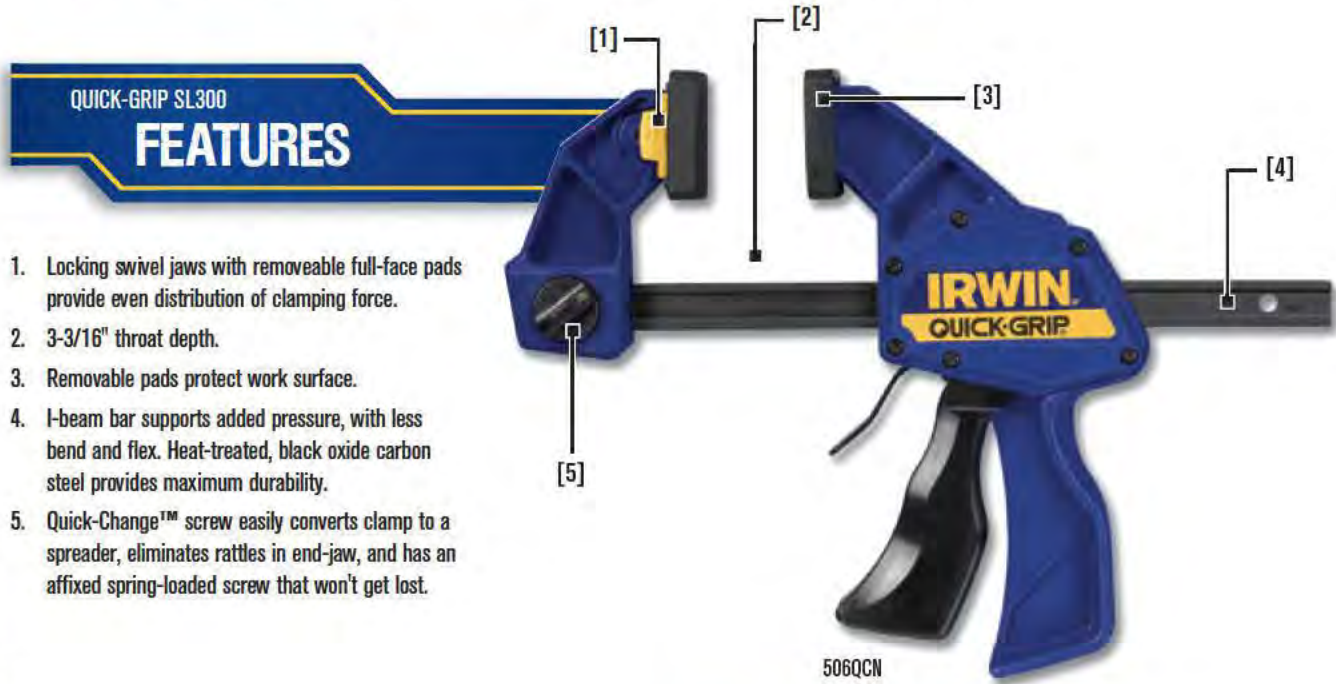
Description	Spreading Capacity	Throat Depth	Pack Qty	Item #
6" (15 cm) XP Bar Clamp/Spreader	9" - 14-5/8" (23 cm - 37 cm)	3-5/8" (92 mm)	2	2021406N
12" (30 cm) XP Bar Clamp/Spreader	9" - 20-5/8" (23 cm - 52 cm)	3-5/8" (92 mm)	2	2021412N
18" (45 cm) XP Bar Clamp/Spreader	9" - 26-5/8" (23 cm - 67 cm)	3-5/8" (92 mm)	2	2021418N
24" (60 cm) XP Bar Clamp/Spreader	9" - 32-5/8" (23 cm - 83 cm)	3-5/8" (92 mm)	2	2021424N
36" (91 cm) XP Bar Clamp/Spreader	9" - 44-5/8" (23 cm - 113 cm)	3-5/8" (92 mm)	2	2021436N
50" (127 cm) XP Bar Clamp/Spreader	9" - 58-5/8" (23 cm - 147 cm)	3-5/8" (92 mm)	2	2021450N

Clamping Tools

One-Handed Bar Clamps

QUICK-GRIP® SL300

The IRWIN® QUICK-GRIP® SL300 One-Handed Bar Clamp provides up to 300 lbs. of sustained clamping force that is evenly distributed through locking swivel jaws. It is constructed with an I-beam bar to reduce flexing and bowing, and has a unique pistol grip design and quick-release trigger for one-handed operation. This clamp easily converts to a spreader with a few simple turns of a Quick-Change™ screw.



1. Locking swivel jaws with removeable full-face pads provide even distribution of clamping force.
2. 3-3/16" throat depth.
3. Removable pads protect work surface.
4. I-beam bar supports added pressure, with less bend and flex. Heat-treated, black oxide carbon steel provides maximum durability.
5. Quick-Change™ screw easily converts clamp to a spreader, eliminates rattles in end-jaw, and has an affixed spring-loaded screw that won't get lost.

506QCN

300 lbs
SUSTAINED CLAMPING FORCE

CLAMPING TOOLS

Description	Spreading Capacity	Throat Depth	Pack Qty	Item #
6" (15 cm) SL300 Bar Clamp/Spreader	7-7/8" - 13-3/8" (200 mm - 340 mm)	3-3/16" (81 mm)	5	506QCN
12" (30 cm) SL300 Bar Clamp/Spreader	7-7/8" - 19-3/8" (200 mm - 590 mm)	3-3/16" (81 mm)	5	512QCN
18" (45 cm) SL300 Bar Clamp/Spreader	7-7/8" - 25-3/8" (200 mm - 645 mm)	3-3/16" (81 mm)	5	518QCN
24" (60 cm) SL300 Bar Clamp/Spreader	7-7/8" - 31-3/8" (200 mm - 795 mm)	3-3/16" (81 mm)	5	524QCN
36" (91 cm) SL300 Bar Clamp/Spreader	7-7/8" - 43-3/8" (200 mm - 1120mm)	3-3/16" (81 mm)	2	536QCN

QUICK-GRIP® QG150 One-Handed Bar Clamp/Spreader



4935191

- Removable resin pads protect work surfaces
- Converts to a spreader

Description	Spreading Capacity	Throat Depth	Pack Qty	Item #
6" (15 cm) QG150 Bar Clamp	6-7/8"-12-3/4" (18 cm - 32 cm)	3-1/4" (83 mm)	5	4935191
12" (30 cm) QG150 Bar Clamp	6-7/8"-18-3/4" (18 cm - 48 cm)	3-1/4" (83 mm)	5	4935192

QUICK-GRIP Mini One-Handed Bar Clamp



5412

- Removable non-marring full-face pads protect work surfaces
- One-handed Quick-Release™ trigger

QUICK-GRIP Micro One-Handed Bar Clamp/Spreader



53006

- Perfect size for hobby and craft applications
- Converts to a spreader – 8" spreading capacity

QUICK-GRIP Heavy-Duty HANDI-CLAMP®



1799212

- Quick-release trigger allows fast and easy positioning and release

QUICK-GRIP HANDI-CLAMP®



59200

- Quick-release trigger allows fast and easy positioning and release

Spring Clamps



58200

222601

- High-tech resin construction provides strength and durability (QUICK-GRIP)
- Simple and convenient for light clamping crafts

Replacement Pads

- Replacement pads available for XP, SL300, Mini and HANDI-CLAMP series clamps



1826577

Description	Throat Depth	Pack Qty	Item #
6" (15 cm) Mini Clamp	2-7/16" (62 mm)	5	546ZR
6" (15 cm) Mini Clamp - 2 Pack	2-7/16" (62 mm)	5	5462
12" (30 cm) Mini Clamp	2-7/16" (62 mm)	5	5412
12" (30 cm) Mini Clamp - 2 Pack	2-7/16" (62 mm)	5	54122

Description	Spreading Capacity	Throat Depth	Pack Qty	Item #
4-1/4" (10 cm) Micro Clamp	8" (200 mm)	1-3/16" (30 mm)	10	53006
4-1/4" (10 cm) Micro Clamp - 2 Pack	8" (200 mm)	1-3/16" (30 mm)	5	530062

Description	Throat Depth	Pack Qty	Item #
2" (51 mm) HANDI-CLAMP	2" (51 mm)	20	1799212
4" (10 cm) HANDI-CLAMP	3" (76 mm)	10	1799213

Description	Throat Depth	Pack Qty	Item #
1-1/2" (38 mm) HANDI-CLAMP	1-1/2" (38 mm)	5	59100
2" (51 mm) HANDI-CLAMP	2" (51 mm)	5	59200
4" (10 cm) HANDI-CLAMP	3" (76 mm)	5	59400

Description	Throat Depth	Pack Qty	Item #
QUICK-GRIP Spring Clamps			
1" (25 mm) Resin Spring Clamp	1" (25 mm)	10	58100
2" (51 mm) Resin Spring Clamp	2" (51 mm)	10	58200
3" (76 mm) Resin Spring Clamp	3" (76 mm)	5	58300
Metal Spring Clamps			
1" (25 mm) Metal Spring Clamp	1" (25 mm)	5	222601
2" (51 mm) Metal Spring Clamp	2" (51 mm)	5	222702
3" (76 mm) Metal Spring Clamp	3" (76 mm)	5	222803

Description	# Per Pack	Pack Qty	Item #
XP Replacement Pads	2	5	1826576
SL300 Replacement Pads	4	5	1826577
Mini Pad Replacements	4	5	1826578
HANDI-CLAMP Replacement Pads	4	5	1826579
Heavy-Duty HANDI-CLAMP Replacement Pads	4	5	1826580

Clamping Tools

Record Traditional Clamps

Aluminum Bar Clamps



1855411

- Lightweight Aluminum
- 1" notches to adjust clamping length

Light-Duty Bar Clamps



1825753

- Clutch lock for easy movement along bar

Medium Duty Bar Clamps



223112

- ProTouch handle for an ergonomic grip
- I-beam bar reduces flexing and bowing
- Clutch lock for easy movement along bar
- Non-marring pads protect the workpiece

Heavy-Duty Bar Clamps



223212

- Ergonomic ProTouch™ handle allows higher clamping pressure
- I-beam bar reduces flexing and bowing
- Non-marring pads protect the workpiece

QUICK-GRIP C-Clamps



225104

- Double-rolled thread provides greater clamping speed
- Large swivel pad reduces marring on work surface and increases stability
- Large handle for greater clamping pressure with less effort

Description	Throat Depth	Pack Qty	Item #
24" Aluminum Bar Clamp	1-1/2" (38 mm)	20	1855411
48" Aluminum Bar Clamp	1-1/2" (38 mm)	10	1855422

Description	Throat Depth	Pack Qty	Item #
Light-Duty Bar Clamps			
6" (15 cm) Light-Duty Bar Clamp	2-1/2" (64 mm)	5	1825752
12" (30 cm) Light-Duty Bar Clamp	2-1/2" (64 mm)	5	1825753
24" (65 cm) Light-Duty Bar Clamp	2-1/2" (64 mm)	5	1825766
36" (91 cm) Light-Duty Bar Clamp	2-1/2" (64 mm)	5	1825767

Medium-Duty Bar Clamps (100 Series)			
6" (15 cm) Bar Clamp, Clutch Lock	3" (76 mm)	5	223106
12" (30 cm) Bar Clamp, Clutch Lock	3" (76 mm)	5	223112
18" (45 cm) Bar Clamp, Clutch Lock	3" (76 mm)	5	223118
24" (65 cm) Bar Clamp, Clutch Lock	3" (76 mm)	5	223124
30" (30 cm) Bar Clamp, Clutch Lock	3" (76 mm)	5	223130
36" (91 cm) Bar Clamp, Clutch Lock	3" (76 mm)	5	223136

Heavy-Duty Bar Clamps (200 Series)			
12" (30 cm) Bar Clamp, Passive Lock	4-5/8" (11.75 cm)	5	223212
18" (45 cm) Bar Clamp, Passive Lock	4-5/8" (11.75 cm)	5	223218
24" (60 cm) Bar Clamp, Passive Lock	4-5/8" (11.75 cm)	5	223224
32" (75 cm) Bar Clamp, Passive Lock	4-5/8" (11.75 cm)	5	223230

Description	Throat Depth	Pack Qty	Item #
1" (25 mm) C-Clamp	1-1/8" (29 mm)	5	225101
2" (51 mm) C-Clamp	1-5/16" (33 mm)	5	225102
3" (76 mm) C-Clamp	2-5/16" (59 mm)	5	225103
4" (10 cm) C-Clamp	2-7/8" (73 mm)	5	225104
5" (12.5 cm) C-Clamp	3-1/4" (83 mm)	5	225105
6" (15 cm) C-Clamp	3-1/2" (89 mm)	5	225106
8" (20 cm) C-Clamp	4" (10.2 cm)	5	225108
2" Deep Throat C-Clamp	3-1/2" (89 mm)	5	225123
3" Deep Throat C-Clamp	4-1/2" (11.4 cm)	5	225134
1-1/2" (37 mm) C-Clamp	1-1/2" (38 mm)	5	2025101
2-1/2" (63 mm) C-Clamp	1-3/8" (35 mm)	5	2025102
2-1/2" (63 mm) C-Clamp	2-1/2" (64 mm)	5	2025103

Parallel Jaw Clamps



2026500

- Deep 3-7/8 inch jaw depth for optimized pressure distribution
- Secure locking system prevents jaws from slipping
- ProTouch handle for ergonomic grip
- Body and jaws made of quality resin to prevent marring and glue adhesion
- Up to 1150 lbs of pressure
- Removal of end foot allows for quick conversion to a spreader
- 2" additional clamping capacity without end stop

Description	Throat Depth	Pack Qty	Item #
24" (60 cm) Parallel Jaw Box Clamp	3-7/8" (98 mm)	5	2026500
48" (121 cm) Parallel Jaw Box Clamp	3-7/8" (98 mm)	5	2026501

Pipe Clamps



224134

- Innovative clutch system eliminates the need for threaded pipe
- Large feet offer more stability
- Greater clearance between handle and work surface
- Large clutch plates allow for easier release

Description	Throat Depth	Pack Qty	Item #
3/4" (19 mm) Pipe Clamp	2" (51 mm)	5	224134
1/2" (12 mm) Pipe Clamp	1-7/8" (48 mm)	5	224212
3/4" (19 mm) Deep Throat Pipe Clamp	2-1/2" (64 mm)	5	2024100

Band Clamp



226100 (226100DS*)

- 1" x 15' for large and irregular-shaped projects

Description	Pack Qty	Item #
Specialty Clamps		
1" x 15' Band Clamp	1	226100
3" Corner Clamp	1	226200
90° Angle Clamp	1	226410
Wooden Handscrew Clamp	1	226800

Corner Clamp



226200

- Light-duty 3" corner clamp is perfect for picture frames and smaller projects

90° Angle Clamp



226410

- Designed to hold material up to 3" thick at a 90° angle

Wooden Handscrew Clamp



226800

- Crafted from quality boxwood
- 4-1/2" jaws adjust to any angle for clamping non-parallel surfaces and odd shapes

IRWIN®

Vises



www.irwin.com

The Complete Solution for Vises

With a diverse offering that ranges from widely-used general purpose vises to the most popular specialty vises, IRWIN® Record® vises are built to handle any job. The impressive, versatile line of vises from IRWIN is designed with the most sought-after features to fit every application, from the garage workbench to the factory floor. Whether used for cutting, screwing, drilling, planing, sanding, or just holding, there is an IRWIN Record vise that's perfect for the any type of holding application. Designed and manufactured to the highest standards, and built with the best available materials, IRWIN Record vises are available in a variety of styles, jaw widths, jaw capacities, base types, and clamping forces. Refer to the chart below to select the best vise for the job.

VICES

		HOW TO SELECT A VISE																	
		Heavy-Duty Workshop Vises			Light-Duty Workshop Vise	Mechanics Vises			Clamp-on Vise	Drill Press Vise	Wood-workers Vise	Bench Vise	Multi-purpose Vise	Mechanics Vises					
		226304Z R	226305Z R	226306Z R	4835507	4835506	4835504	226303Z R	226340	226361	2026303	4835505	12R	3	4ZR	5	6	8ZR	
Jaw Width		4" / 10 cm	5" / 12 cm	6" / 15 cm	4-1/2" / 11 cm	6" / 15 cm	4" / 10 cm	3" / 7 cm	4" / 10 cm	6-1/2" / 17 cm	4-1/2" / 11 cm	5" / 12 cm	3" / 75 mm	4" / 100 mm	4-1/2" / 115 mm	5" / 127mm	6" / 152 mm	8" / 203 mm	
Jaw Capacity		3" / 7 cm	4" / 10 cm	5" / 12 cm	3" / 7 cm	4.9" / 12 cm	3" / 7 cm	2" / 5 cm	4-1/2" / 11 cm	4-1/2" / 11 cm	4" / 10 cm	4.9" / 12 cm	3-3/4" / 95 mm	4-3/4" / 121 mm	5-1/2" / 140 mm	6-1/2" / 165 mm	8" / 203 mm	9-1/4" / 235 mm	
Throat Depth		2.2" / 5.6 cm	2.6" / 6.6 cm	3" / 7 cm	2-3/8" / 6 cm	3" / 7 cm	2-3/8" / 6 cm	3" / 7 cm	1" / 2.5 cm	2" / 5 cm	2-3/8" / 6 cm	3" / 7 cm	1-7/8" / 48 mm	2-3/4" / 70 mm	3" / 75 mm	3-1/4" / 82 mm	3-1/2" / 90 mm	4" / 100 mm	
Swivel Base		360°	360°	360°	240°	120°	120°	N/A	N/A	N/A	N/A	360°	N/A	N/A	N/A	N/A	N/A	N/A	
Pipe Jaw		N/A	N/A	N/A	YES	N/A	N/A	YES	N/A	N/A	YES	YES	N/A	N/A	N/A	N/A	N/A	N/A	
Typical Workpiece Weight		<15 lbs.	<26 lbs.	<30 lbs.	<9 lbs.	<30 lbs.	<12 lbs.	<4 lbs.	N/A	N/A	<11 lbs.	<33 lbs.	<12	<30	<40	<50	<70	<80	
General Purpose		BEST	BEST	BEST	BETTER	BEST	BEST	BETTER	N/A	N/A	BEST	BEST	BEST	BEST	BEST	BEST	BEST	BEST	
Hobbyist		N/A	N/A	N/A	BEST	BETTER	BETTER	BEST	N/A	BEST	BEST	BETTER	BETTER	BETTER	N/A	N/A	N/A	N/A	
Light Duty		N/A	N/A	N/A	BEST	BETTER	BETTER	BEST	BETTER	BEST	BEST	BETTER	BETTER	BETTER	N/A	N/A	N/A	N/A	
Drill Press		N/A	N/A	N/A	N/A	N/A	N/A	N/A	BEST	N/A	N/A	N/A	N/A	N/A	N/A	N/A	N/A	N/A	
Round Stock/Pipe		BETTER	BETTER	BETTER	BEST	BETTER	BETTER	BEST	N/A	N/A	BEST	BEST	BETTER	BETTER	BETTER	BETTER	BETTER	BETTER	
Portable		N/A	N/A	N/A	N/A	N/A	N/A	BEST	BEST	N/A	N/A	N/A	N/A	N/A	N/A	N/A	N/A	N/A	

BEST
Best choice for application

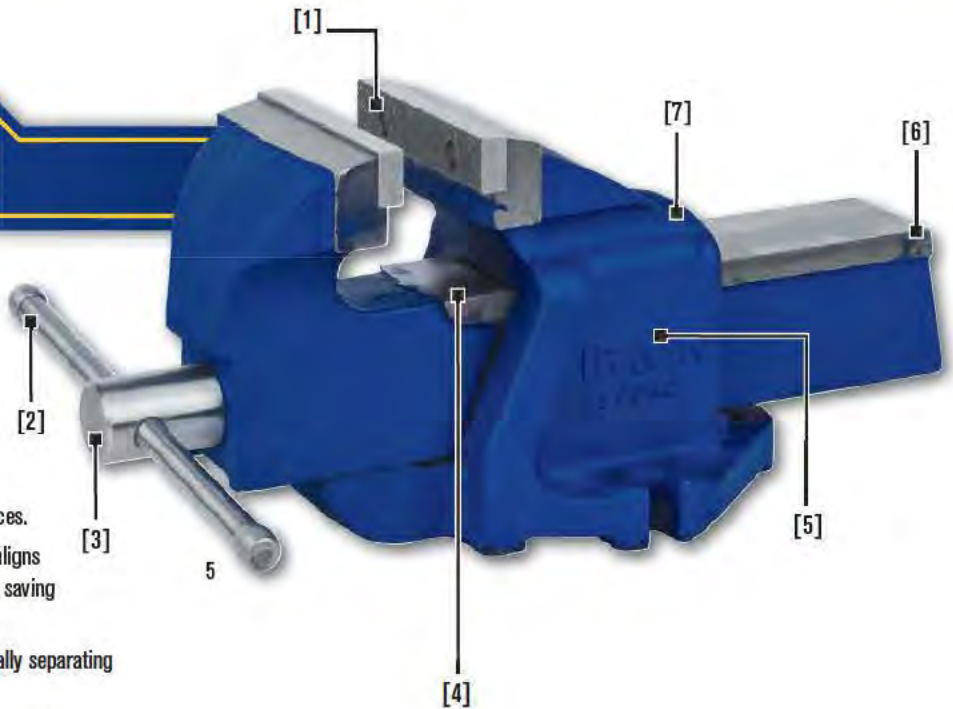
BETTER
Better choice for application

N/A
Not recommended for application

Record® Mechanics Vises

RECORD MECHANICS VISE
FEATURES

1. Replaceable hardened steel jaws.
2. Fused steel handle bends before vise can be overstressed.
3. Machined steel mainscrew with rolled two-start acme thread for wear-resistance and smooth operation.
4. Fully-machined on all load-bearing surfaces.
5. Internal SG nut takes load, secures and aligns mainscrew. Can be replaced when worn, saving cost of replacement of whole vise body.
6. Safety stop prevents slide from accidentally separating from body.
7. Lip on back body guides filings and fragments away from the slide.



4-1/2" Mechanics Vise



6" Mechanics Vise



Description	Weight	Pack Qty	Item #
3" Mechanics Vise	12 lbs	1	1ZR
4" Mechanics Vise	33 lbs	1	3
4-1/2" Mechanics Vise T4	42 lbs	1	4ZR
5" Mechanics Vise T5	53 lbs	1	5
6" Mechanics Vise T6	70 lbs	1	6
8" Mechanics Vise T8	84 lbs	1	8ZR

VICES

Replacement Jaw Plates



T4D

Description	Pack Qty	Item #
Pair Jaw Plates (3") & Screws for #1ZR Mechanics Vise	1	T1D
Pair Jaw Plates (4") & Screws for #3 Mechanics Vise	1	T3D
Pair Jaw Plates (4-1/2") & Screws for #4ZR Mechanics Vise 4-1/2", Pre-1996	1	T4D
Pair Jaw Plates (5") & Screws for #5 Mechanics Vise	1	T5D
Pair Jaw Plates (6") & Screws for #6 Mechanics Vise	1	T6D
Pair Jaw Plates (8") & Screws for #8ZR Mechanics Vise	1	T8D

Replacement Mainscrew

VICES



T4C

Description	Pack Qty	Item #
Mainscrew with Handle, Nut, Pin, Spring, and Washer for #1ZR Mechanics Vise	1	T1C
Mainscrew with Handle, Nut, Pin, Spring, and Washer for #3 Mechanics Vise	1	T3C
Mainscrew with Handle, Nut, Pin, Spring, and Washer for #4ZR Mechanics Vise	1	T4C
Mainscrew with Handle, Nut, Pin, Spring, and Washer for #5 Mechanics Vise	1	T5C
Mainscrew with Handle, Nut, Pin, Spring, and Washer for #6 Mechanics Vise	1	T6C
Mainscrew with Handle, Nut, Pin, Spring, and Washer for #8ZR Mechanics Vise	1	T8C

Fiber Grips



FG412

Description	Pack Qty	Item #
Swivel Base for Item #3: 4" Mechanics Vise	1	T3SB
Swivel Base for Item #4ZR: 4-1/2" Mechanics Vise	1	T4SB
Swivel Base for Item #6: 6" Mechanics Vise	1	T6SB
3" Fiber Grip Clip-On Jaws	1	FG3
3-1/2" Fiber Grip Clip-On Jaws	1	FG312
4" Fiber Grip Clip-On Jaws	1	FG4
4-1/4" Fiber Grip Clip-On Jaws	1	FG414
4-1/2" Fiber Grip Clip-On Jaws	1	FG412
5" Fiber Grip Clip-On Jaws	1	FG5
5-1/4" Fiber Grip Clip-On Jaws	1	FG514
6" Fiber Grip Clip-On Jaws	1	FG6

IRWIN Workshop Vises



226306ZR



4935507

Description	Weight	Pack Qty	Item #
4" Heavy-Duty Workshop Vise	15.7 lbs.	1	226304ZR
5" Heavy-Duty Workshop Vise	26.4 lbs.	1	226305ZR
6" Heavy-Duty Workshop Vise	30.6 lbs.	1	226306ZR

- Captured safety jaw to prevent slide from falling out on heavy-duty vise
- Swivel base
- Anvil and pipe jaws incorporated
- Aggressive steel jaws

IRWIN Record® Light-Duty Vises



4935504



4935505

Description	Weight	Pack Qty	Item #
4" Mechanics Vise	12.1 lbs.	1	4935504
5" Multi-purpose Vise	33.1 lbs.	1	4935505
6" Mechanics Vise	30 lbs.	1	4935506
4-1/2" Light-Duty Workshop Vise	11.22 lbs.	1	4935507

- Fused steel handle
- Swivel base
- Anvil incorporated
- Rotating pipe jaws on 5" multi-purpose vise

3" Clamp-on Vise



226303ZR

Description	Pack Qty	Item #
3" Clamp-on Vise	1	226303ZR

- Easy clamp-on feature for mobility
- 2" table thickness capacity
- Anvil shaping horn incorporated
- Integrated pipe jaws

4" Drill Press Vise



226340

Description	Pack Qty	Item #
4" Drill Press Vise	1	226340

- Slotted base for easy installation and positioning
- Textured jaws for secure gripping

VICES

6-1/2" Woodworkers Vise



226361

Description	Pack Qty	Item #
6-1/2" Woodworkers Vise	1	226361

- Toe-in toward top of jaws helps ensure firm grip on work piece
- Square body seating for easy under-bench mounting
- Provision for installing wooden cheeks to protect work pieces

4-1/2" Bench Vise



2026303

Description	Pack Qty	Item #
4-1/2" Bench Vise	1	2026303

- Fused steel handle
- Anvil incorporated
- Integrated pipe jaws

IRWIN®

Marples®

Chisels



www.irwin.com

Chisels

High Impact Chisels

The Standard in Edge Retention

The IRWIN® Marples® bevel edge chisel lineup extends the brand's best-in-class reputation for quality, design and ergonomics. In depth consumer research identified that while all chisel users require the same sharp edge and high-quality hardened steel blade, there are three distinct users including fine woodworking, construction and high-impact. IRWIN now offers a full range of chisels specifically engineered for each user. From builders and remodelers, to fine woodworkers and carpenters, IRWIN's new program has a chisel for every user need.



High Impact Chisels

The High Impact Chisel features a fully-forged core for unbeatable durability and strength while still providing the same high quality cutting performance. With an extra-large strike cap to withstand hammer pounding at multiple angles and a ProTouch™ over-mold grip for added ergonomic comfort, the High Impact Chisel is constructed with a split-proof acetate handle for reinforced handle toughness.

CHISELS

HIGH IMPACT CHISEL

FEATURES

1. Fully-forged steel core for unbeatable strength and durability
2. Extra-large strike cap withstands repetitive hammer strikes and can be hit from multiple angles
3. Split-proof acetate handle for reinforced toughness
4. High carbon steel blade for superior performance and edge retention



High Impact Chisels



1819356

Blade Width	Item #
1/4"	1819232
1/2"	1819234
3/4"	1819356
1"	1819357
1-1/4"	1819358
1-1/2"	1819359
2"	1819360
Sets	
3-Pc. High Impact Chisel Set (1/2", 3/4", 1")	1819362
5-Pc. High Impact Chisel Wallet (1/4", 1/2", 3/4", 1", 1-1/4")	1819363



1819363

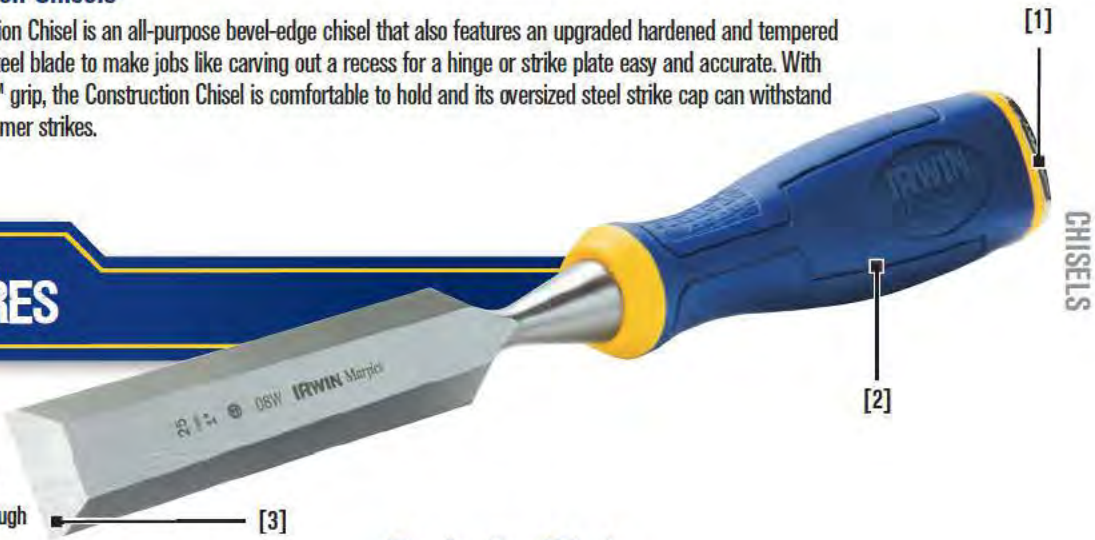


Construction Chisels

The Construction Chisel is an all-purpose bevel-edge chisel that also features an upgraded hardened and tempered high carbon steel blade to make jobs like carving out a recess for a hinge or strike plate easy and accurate. With its ProTouch™ grip, the Construction Chisel is comfortable to hold and its oversized steel strike cap can withstand repetitive hammer strikes.

**CONSTRUCTION CHISEL
FEATURES**

1. Large strike cap withstands repetitive hammer strikes
2. Ergonomic handle design with ProTouch™ Grip is durable enough to withstand jobsite abuse
3. High carbon steel blade for superior performance and edge retention



Construction Chisels



1768777

Blade Width	Item #
1/4"	1768772
3/8"	1768773
1/2"	1768774
5/8"	1768775
3/4"	1768776
1"	1768777
1 1/4"	1768778
1 1/2"	1768779
2"	1768780
Sets	
3-Pc. Construction Chisel Wallet (1/2", 3/4", 1")	1768781
4-Pc. Construction Chisel Set (1/4", 1/2", 3/4", 1")	1819361

Chisels

Woodworking Chisels

Woodworking Chisels

The Woodworking Chisel features a high carbon steel blade, hardened to 58-61 HRC for improved sharpness and edge retention. Designed to be used with a wooden mallet or the palm of the hand for traditional fine woodworking applications, this bevel-edge chisel is structured with a slim, ergonomic handle for added control, precision and comfort.

WOODWORKING CHISEL

FEATURES

1. Slim, contoured handle for added control, precision and comfort
2. Designed for use with a wooden mallet or the palm of the hand
3. High carbon steel blade for superior performance and edge retention



CHISELS

Woodworking Chisels



M4441N

Blade Width	Item #
1/8"	M44418N
1/4"	M44414N
3/8"	M44438N
1/2"	M44412N
5/8"	M44458N
3/4"	M44434N
1"	M4441N
1-1/4"	M444114N
1-1/2"	M444112N
2"	M4442N
Sets	
3-Pc. Woodworking Chisel Set (1/2", 3/4" 1")	1769179
4-Pc. Woodworking Chisel Set (1/4", 1/2", 3/4", 1")	M444S4N
4-Pc. Woodworking Chisel Case (1/2", 3/4", 1", Mallet)	1788114
6-Pc. Woodworking Chisel Box (1/4", 3/8", 1/2", 5/8", 3/4", 1")	M444SB6N
6-Pc. Woodworking Chisel Case (1/2", 3/4", 1", Sharpening Kit)	1788115
Sharpening Tool Kit (Honing Guide, Oil, Sharpening Stone)	1786757



1788114



1788115



M444SB6N

IRWIN®

Snips



www.irwin.com

Trust Built On Performance

IRWIN® Aviation and Offset Snips feature hot-drop forged steel blades for a sharper cutting edge and greater strength. Ergonomically designed ProTouch™ grips and long-life spring increase leverage and optimize cuts.

Aviation Snips



2073111



2073112



2073113



2073115

- Multiple pivot pins provide compound cutting action

Offset Snips



2073212



2073211

- Multiple pivot pins provide compound cutting action
- Cut at a sharper angle, distancing your hands from sharp, jagged work surfaces

Multi-Purpose Snips



21304

- Compound leverage design provides cuts up to 3-1/8"

Tinner Snips



22007



23007

- Precision-ground blade edges ensure quality cuts
- Hot-drop, forged steel blades provide maximum strength
- Double-dipped vinyl handles provide comfort

3-piece Set



2073704

SNIPS

Model	Description	Size	Length of Cut	Cutting Capacity		Carded Item #
Aviation Snips						
111	Cuts left and straight	10" (254 mm)	1-5/16" (33 mm)	Cold-Roll Steel 18 ga	Stainless Steel 23 ga	2073111
112	Cuts right and straight	10" (254 mm)	1-5/16" (33 mm)	Cold-Roll Steel 18 ga	Stainless Steel 23 ga	2073112
113	Cuts straight and wide curves	10" (254 mm)	1-5/16" (33 mm)	Cold-Roll Steel 18 ga	Stainless Steel 23 ga	2073113
115	Bulldog snips notch and trim	9" (228 mm)	3/4" (19 mm)	Cold-Roll Steel 16 ga	Stainless Steel 18 ga	2073115
Offset Snips						
SR	Cuts straight and angles or curves right	9-1/2" (241 mm)	1-5/16" (33 mm)	Cold-Roll Steel 18 ga	Stainless Steel 23 ga	2073212
SL	Cuts straight and angles or curves left	9-1/2" (241 mm)	1-5/16" (33 mm)	Cold-Roll Steel 18 ga	Stainless Steel 23 ga	2073211
Multi-Purpose Snips						
304	Extra cut snip, cuts straight and curves	11-3/4" (298 mm)	3-1/8" (80 mm)	Cold-Roll Steel 24 ga	Stainless Steel 26 ga	21304ZR
Tinner Snips – Flat Blades						
007	Cuts straight and wide curves	7" (175 mm)	1-1/2" (38 mm)	Cold-Roll Steel 24 ga	Stainless Steel 28 ga	22007
010	Cuts straight and wide curves	10" (250 mm)	2" (51 mm)	Cold-Roll Steel 22 ga	Stainless Steel 26 ga	22010
012	Cuts straight and wide curves	12-3/4" (320 mm)	2-3/4" (70 mm)	Cold-Roll Steel 20 ga	Stainless Steel 22 ga	22012
Tinner Snips – Duckbill Blades						
207	Cuts straight and tight curves	7" (175 mm)	2" (51 mm)	Cold-Roll Steel 26 ga	Stainless Steel 28 ga	23007
210	Cuts straight and tight curves	10" (250 mm)	2" (51 mm)	Cold-Roll Steel 24 ga	Stainless Steel 26 ga	23010
212	Cuts straight and tight curves	12-3/4" (320 mm)	2-3/4" (70 mm)	Cold-Roll Steel 22 ga	Stainless Steel 24 ga	23012
Sets						
3-piece set includes items 21304, 2073113 and 23007						2073704

IRWIN®

Levels & Squares



www.irwin.com

RUGGED. ACCURATE. GUARANTEED.™

The Complete Solution for Levels and Squares

IRWIN® offers a powerful line-up of levels and squares – tools packed with features that stand up to the rugged conditions of the jobsite. We dedicated our development efforts to understanding exactly what professionals expect and need from these tools, and we delivered that accuracy and performance, and much more. Our new comprehensive line of IRWIN levels includes box beam levels, I-beam levels, torpedo levels, and multiple specialty levels for a broad range of users' needs. We also offer a full range of squares and utility levels to provide our customers with complete category coverage.



IRWIN Levels Quick Reference Chart

LEVELS & SQUARES

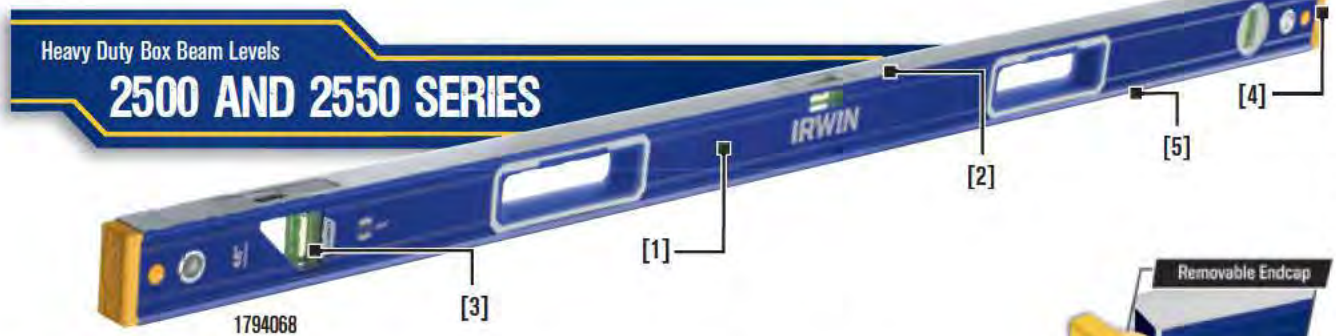
	Available Lengths	Cross Section	FEATURES										
			Vial Accuracy	Vial Lifetime Guarantee	Removable End-Caps	Refractable End-Caps	Plumb Site*	Contiguous Edge	Adj'l Horizontal Vial (6 or greater)	Dual Chamber Design	Rotating Dial Vial	Rare Earth Magnets	LED Lighted Vials
BOX BEAM Levels	2550 SERIES- MAGNETIC HEAVY DUTY BOX BEAM	16", 24", 32", 48", 72", 96", 78"/32" (Door Jamb Set)		.029° .5mm/m		<input checked="" type="checkbox"/>	<input checked="" type="checkbox"/>	<input checked="" type="checkbox"/>	<input checked="" type="checkbox"/>	<input checked="" type="checkbox"/>	<input checked="" type="checkbox"/>	<input checked="" type="checkbox"/>	<input checked="" type="checkbox"/>
	2500 SERIES HEAVY DUTY BOX BEAM	16", 24", 32", 48", 72", 96", 78"/32" (Door Jamb Set)		.029° .5mm/m		<input checked="" type="checkbox"/>	<input checked="" type="checkbox"/>	<input checked="" type="checkbox"/>	<input checked="" type="checkbox"/>	<input checked="" type="checkbox"/>	<input checked="" type="checkbox"/>	<input checked="" type="checkbox"/>	<input checked="" type="checkbox"/>
	2500E SERIES HEAVY DUTY ELECTRONIC BOX BEAM	24", 48"		.029° .5mm/m		<input checked="" type="checkbox"/>	<input checked="" type="checkbox"/>	<input checked="" type="checkbox"/>	<input checked="" type="checkbox"/>	<input checked="" type="checkbox"/>	<input checked="" type="checkbox"/>	<input checked="" type="checkbox"/>	<input checked="" type="checkbox"/>
	2050 SERIES- MAGNETIC BOX BEAM	24", 48", 72", 96", 78"/32" (Door Jamb Set)		.029° .5mm/m		<input checked="" type="checkbox"/>	<input checked="" type="checkbox"/>	<input checked="" type="checkbox"/>	<input checked="" type="checkbox"/>	<input checked="" type="checkbox"/>	<input checked="" type="checkbox"/>	<input checked="" type="checkbox"/>	<input checked="" type="checkbox"/>
	2000 SERIES BOX BEAM	24", 48", 72", 96", 78"/32" (Door Jamb Set)		.029° .5mm/m		<input checked="" type="checkbox"/>	<input checked="" type="checkbox"/>	<input checked="" type="checkbox"/>	<input checked="" type="checkbox"/>	<input checked="" type="checkbox"/>	<input checked="" type="checkbox"/>	<input checked="" type="checkbox"/>	<input checked="" type="checkbox"/>
	2050L SERIES- MAGNETIC LIGHTED BOX BEAM	24", 48"		.029° .5mm/m		<input checked="" type="checkbox"/>	<input checked="" type="checkbox"/>	<input checked="" type="checkbox"/>	<input checked="" type="checkbox"/>	<input checked="" type="checkbox"/>	<input checked="" type="checkbox"/>	<input checked="" type="checkbox"/>	<input checked="" type="checkbox"/>
	2000L SERIES LIGHTED BOX BEAM	24", 48"		.029° .5mm/m		<input checked="" type="checkbox"/>	<input checked="" type="checkbox"/>	<input checked="" type="checkbox"/>	<input checked="" type="checkbox"/>	<input checked="" type="checkbox"/>	<input checked="" type="checkbox"/>	<input checked="" type="checkbox"/>	<input checked="" type="checkbox"/>
I-BEAM Levels	1550 SERIES- MAGNETIC HEAVY DUTY I-BEAM	24", 48", 78", 96"		.058° 1mm/m		<input checked="" type="checkbox"/>	<input checked="" type="checkbox"/>	<input checked="" type="checkbox"/>	<input checked="" type="checkbox"/>	<input checked="" type="checkbox"/>	<input checked="" type="checkbox"/>	<input checked="" type="checkbox"/>	<input checked="" type="checkbox"/>
	1500 SERIES HEAVY DUTY I-BEAM	24", 48", 72", 96"		.058° 1mm/m		<input checked="" type="checkbox"/>	<input checked="" type="checkbox"/>	<input checked="" type="checkbox"/>	<input checked="" type="checkbox"/>	<input checked="" type="checkbox"/>	<input checked="" type="checkbox"/>	<input checked="" type="checkbox"/>	<input checked="" type="checkbox"/>
	1050 SERIES- MAGNETIC I-BEAM	18", 24", 36", 48", 72"		.058° 1mm/m		<input checked="" type="checkbox"/>	<input checked="" type="checkbox"/>	<input checked="" type="checkbox"/>	<input checked="" type="checkbox"/>	<input checked="" type="checkbox"/>	<input checked="" type="checkbox"/>	<input checked="" type="checkbox"/>	<input checked="" type="checkbox"/>
	1000 SERIES I-BEAM	18", 24", 36", 48", 72"		.058° 1mm/m		<input checked="" type="checkbox"/>	<input checked="" type="checkbox"/>	<input checked="" type="checkbox"/>	<input checked="" type="checkbox"/>	<input checked="" type="checkbox"/>	<input checked="" type="checkbox"/>	<input checked="" type="checkbox"/>	<input checked="" type="checkbox"/>



IRWIN 2500 and 2550 Series Heavy Duty Box Beam Levels

The IRWIN 2500 and 2550 Series Box Beam Levels have a rugged frame tough enough to ensure accuracy over time. With convenient, time-saving features like Plumb Site® for dual-sided viewing, innovative removable end-caps and a continuous edge for scribing, work gets done faster and it gets done right.

**RUGGED.
ACCURATE.
GUARANTEED.™**



LEVELS & SQUARES

Heavy Duty Box Beam Levels 2500 AND 2550 SERIES

1. Thick-walled high-grade aluminum frame provides extreme durability and resists jobsite wear and tear
2. Continuous edge increases level durability ensuring accuracy over time, protects center vial, and allows for continuous scribing
3. Plumb Site® offers dual-sided, undistorted viewing in the plumb position and easy, more accurate plumb readings
4. Over-molded rubber end-caps provide shock-absorption, protecting the level's accuracy upon impact, and are removable for accurate leveling into corners
5. Rare earth magnets are 5X stronger than strip magnets and allow for easy, hands-free steel construction work (2550 Series)

2500 and 2550 Series Heavy Duty Box Beam Levels



1794064

Length	Description	Item #
2500 Series Heavy Duty Box Beam Levels		
16"	2500 Box Beam Level	1794061
24"	2500 Box Beam Level	1794063
32"	2500 Box Beam Level	1794065
48"	2500 Box Beam Level	1794067
72"	2500 Box Beam Level	1794069
96"	2500 Box Beam Level	1794071
78"/32"	2500 Box Beam Level Door Jamb Kit	1794073

Length	Description	Item #
2550 Series Magnetic Heavy Duty Box Beam Levels		
16"	2550 Magnetic Box Beam Level	1794062
24"	2550 Magnetic Box Beam Level	1794064
32"	2550 Magnetic Box Beam Level	1794066
48"	2550 Magnetic Box Beam Level	1794068
72"	2550 Magnetic Box Beam Level	1794070
96"	2550 Magnetic Box Beam Level	1794072
78"/32"	2550 Magnetic Box Beam Level Door Jamb Kit	1794074

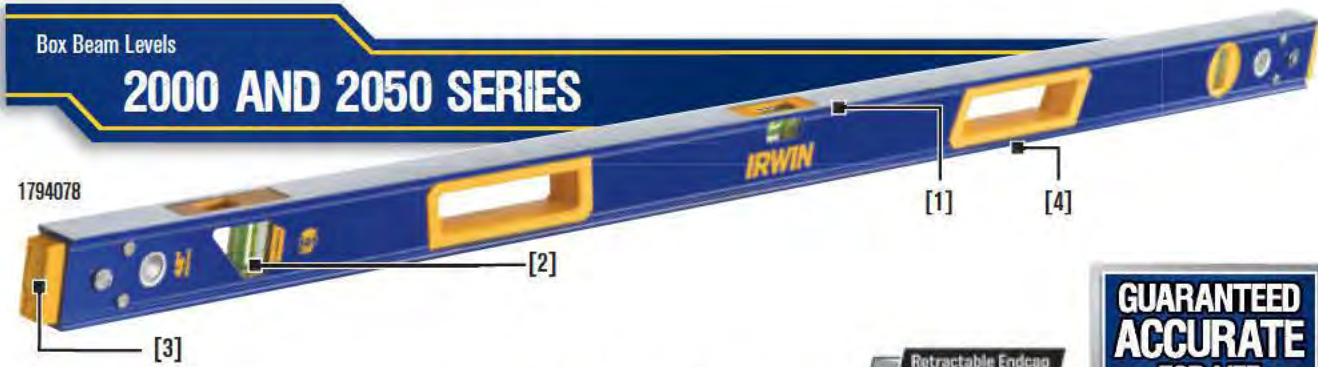
*Guarantee refers to vial accuracy for the life of the product. See IRWIN.com for product listing. Plumb Site® is a trademark of Kapro Industries, Ltd.

Levels & Squares

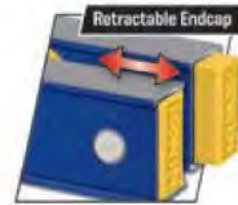
Box Beam Levels

IRWIN 2000 and 2050 Series Box Beam Levels

The IRWIN® 2000 and 2050 Series Box Beam Levels are loaded with features and benefits designed specifically for the professional user. Plumb Site® for dual-sided viewing and ingenious retractable end-caps for leveling into corners provide accuracy and time-saving benefits. All this in a strong and slim box beam profile.



1. Continuous edge increases level durability ensuring accuracy over time, protects center vial, and allows for continuous scribing
2. Plumb Site® offers dual-sided, undistorted viewing in the plumb position and easy, more accurate plumb readings
3. Retractable end-caps allow for scribing into and through corners, increasing work efficiency
4. Rare earth magnets are 5X stronger than strip magnets and allow for easy, hands-free steel construction work (2050 Series)



LEVELS & SQUARES



2000 and 2050 Series Box Beam Levels



1794076

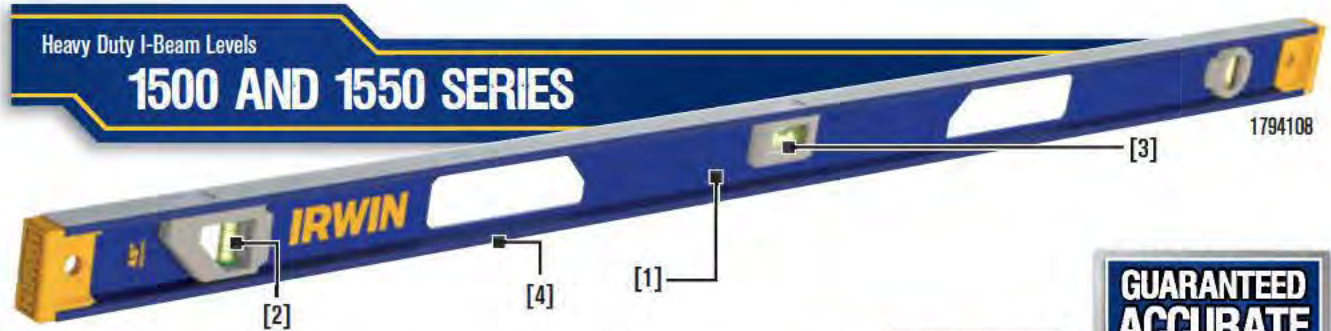
Length	Description	Item #
2000 Series Box Beam Levels		
24"	2000 Box Beam Level	1794075
48"	2000 Box Beam Level	1794077
72"	2000 Box Beam Level	1794079
96"	2000 Box Beam Level	1794101
78"/32"	2000 Box Beam Level Door Jamb Kit	1794103
2050 Series Magnetic Box Beam Levels		
24"	2050 Magnetic Box Beam Level	1794076
48"	2050 Magnetic Box Beam Level	1794078
72"	2050 Magnetic Box Beam Level	1794080
96"	2050 Magnetic Box Beam Level	1794102
78"/32"	2050 Magnetic Box Beam Level Door Jamb Kit	1794104

*Guarantee refers to vial accuracy for the life of the product. See IRWIN.com for product listing.

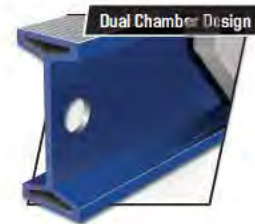
Plumb Site® is a trademark of Kapro Industries, Ltd.

IRWIN 1500 and 1550 Series Heavy Duty I-Beam Levels

Constructed of durable aluminum and featuring our patented Dual Chamber design, the IRWIN 1500 and 1550 Series I-Beam Levels provide industry-leading strength and the durability professionals have come to expect from IRWIN Tools. And with the convenient Plumb Site® and MagnaVials™ features, these levels deliver more accurate viewing and readability.



1. Dual chamber design increases level durability, ensuring accuracy over time, and resists twisting 2X more than traditional I-beams
2. Plumb Site® offers dual-sided, undistorted viewing in the plumb position and easy, more accurate plumb readings
3. MagnaVials™ and wide top read window for easy, accurate readings
4. Rare earth magnets are 5X stronger than strip magnets and allow for easy hands-free steel construction work (1550 Series)



1500 and 1550 Series Heavy Duty I-Beam Levels



1794106

Length	Description	Item #
1500 Series Heavy Duty I-Beam Levels		
24"	1500 I-Beam Level	1794105
48"	1500 I-Beam Level	1794107
72"	1500 I-Beam Level	1794109
96"	1500 I-Beam Level	1794151
1550 Series Magnetic Heavy Duty I-Beam Levels		
24"	1550 Magnetic I-Beam Level	1794106
48"	1550 Magnetic I-Beam Level	1794108
78"	1550 Magnetic I-Beam Level	1794110
96"	1550 Magnetic I-Beam Level	1794152

1000 and 1050 Series I-Beam Levels



1801091

- Rigid aluminum I-beam construction
- Rotating angle vial
- Full-length V-grooved strip magnet

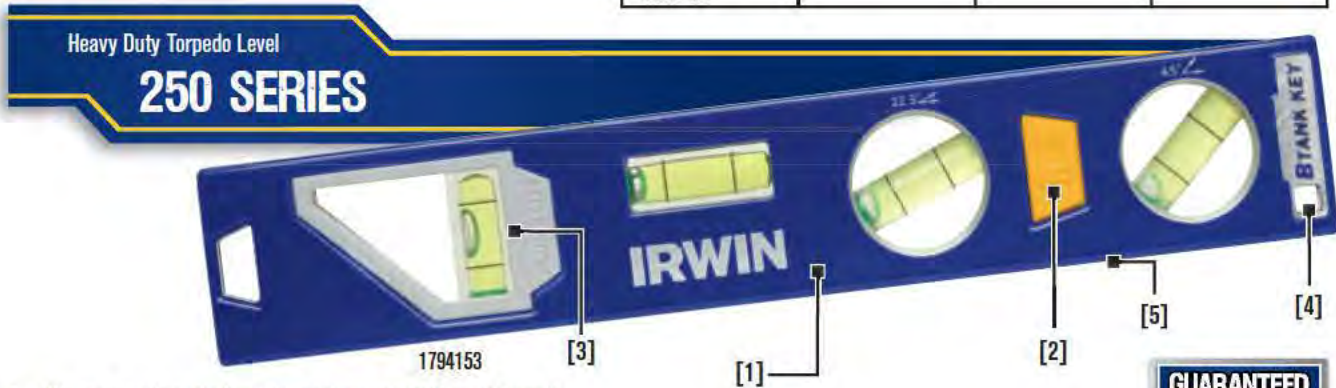
Length	Description	Item #
1000 Series I-Beam Levels		
18"	1000 I-Beam Level	1800988
24"	1000 I-Beam Level	1800990
36"	1000 I-Beam Level	1801092
48"	1000 I-Beam Level	1801094
72"	1000 I-Beam Level	1801096
1050 Series Magnetic I-Beam Levels		
18"	1050 Magnetic I-Beam Level	1800989
24"	1050 Magnetic I-Beam Level	1801091
36"	1050 Magnetic I-Beam Level	1801093
48"	1050 Magnetic I-Beam Level	1801095
72"	1050 Magnetic I-Beam Level	1801097

*Guarantee refers to vial accuracy for the life of the product. See IRWIN.com for product listing. Plumb Site® is a trademark of Kapro Industries, Ltd.

IRWIN 250 Series Magnetic Heavy Duty Torpedo Level

The new IRWIN® 250 Series Torpedo Level features a 1.5° slope button, ideal for quick and easy drainage measurement. The Plumb Site® window allows for dual-sided viewing, making plumb readings easier and more accurate in tight spots. The heavy duty cast aluminum body ensures that this torpedo level can stand up to even the harshest of jobsite conditions.

TORPEDO Levels			
250 SERIES- MAGNETIC HEAVY DUTY TORPEDO	150 SERIES- MAGNETIC TORPEDO	50 SERIES- MAGNETIC TORPEDO	150T SERIES- MAGNETIC TOOLBOX TORPEDO
 9"	 9"	 9"	 12"
FEATURES	FEATURES	FEATURES	FEATURES
<ul style="list-style-type: none"> • Vial Lifetime Guarantee • Integrated Slope Button • Plumb Site® • B-Tank Valve Key • Rare Earth Magnets • V-Groove Edge • Concave Side 	<ul style="list-style-type: none"> • Locking Dial Vial • Reinforced Aluminum Frame • V-Groove Edge 	<ul style="list-style-type: none"> • Level, Plumb, 45° Vials • V-Groove Edge 	<ul style="list-style-type: none"> • Level, Plumb, Pitch, 45° Vials • Plumb Site® • V-Groove Edge



LEVELS & SQUARES

1. Die cast aluminum body provides extreme durability and strength
2. 1.5° integrated button for easy 1/4" per foot drainage; button has a slight radius to ensure it sits securely on pipe
3. Plumb Site® offers dual-sided, undistorted viewing in the plumb position and easy, more accurate plumb readings
4. B-Tank valve key provides the ability to open an acetylene tank valve without stripping
5. Rare earth magnets are 5X stronger than strip magnets and allow for easy hands-free steel construction work



150 Series Magnetic Torpedo Level



1794155

- Locking dial vial
- Heavy-duty aluminum frame with composite body
- V-groove edge for leveling pipe

150T Series Magnetic Toolbox Level



1794157

- Plumb Site®
- Pitch vial to easily read slope
- Reinforced aluminum frame for durability

50 Series Magnetic Torpedo Level



1794159

- 3 vials with plumb, level, and 45° readings
- ABS frame for a strong, impact-resistant body

Length	Description	Item #	Counter Display Item #	Display Quantity
250 Series Magnetic Torpedo Level				
9"	250 Magnetic Torpedo	1794153	1794154	12
150 Series Magnetic Torpedo Level				
9"	150 Magnetic Torpedo Level	1794155	1794156	12
150T Series Magnetic Torpedo Level				
12"	150T Magnetic Toolbox Level	1794157	1794158	12
50 Series Magnetic Torpedo Level				
9"	50 Magnetic Torpedo Level	-	1794159	12

1794154



Plumb Site® is a trademark of Kapro Industries, Ltd.

*Guarantee refers to vial accuracy for the life of the product. See IRWIN.com for product listing.

IRWIN Specialty Levels - Electronic and Lighted

IRWIN's specialty level offering provides the best possible solutions to unique leveling needs. IRWIN's 2500E Series Electronic Level has all the same innovative features of the 2500 Series with the added benefit of an electronic module that has a back-lit LCD wide-screen display, which makes working with angles and slopes easy and accurate. Our 2000L and 2050L Series Lighted Levels have vials that can be lit with LED lights with the simple push of a button, thereby providing better readability in low-light conditions such as closets, basements, or when working at dusk.



2500E Series Electronic Heavy Duty Box Beam Levels



1801099

- Electronic module with back-lit LCD wide-screen display
- Thick-walled high-grade aluminum frame
- Plumb Site®
- Removable end-caps
- Continuous edge



Length	Description	Item #
24"	2500E Electronic Box Beam Level with Case	1801098
48"	2500E Electronic Box Beam Level with Case	1801099

2000L and 2050L Series Lighted Box Beam Levels



1801103

- LED lighted vials
- Plumb Site®
- Retractable end-caps
- Continuous edge



Length	Description	Item #
2000L Series Lighted Box Beam Levels		
24"	2000L Lighted Box Level	1801100
48"	2000L Lighted Box Level	1801102
2050L Series Magnetic Lighted Box Beam Levels		
24"	2050L Lighted Magnetic Box Level	1801101
48"	2050L Lighted Magnetic Box Level	1801103



*Guarantee refers to vial accuracy for the life of the product. See IRWIN.com for product listing. Plumb Site® is a trademark of Kapro Industries, Ltd.

IRWIN Specialty Levels - Mason's and Extendable

IRWIN® 1500W Mason's Levels are made of laminated American hardwood and a heavy-duty reinforced aluminum frame for extreme durability and warp-resistance. For plate and extended range leveling beyond 8 feet, IRWIN's Extendable Levels are constructed of three heavy-duty aluminum I-beam rails that extend up to almost three times the collapsed length, locking securely in infinite settings to meet any extended leveling needs.



1500W Mason Levels



1801104

- Laminated American hardwood construction
- Heavy-duty aluminum reinforced frame



Length	Description	Item #
24"	1500W Mason's Level	1801104
48"	1500W Mason's Level	1801105

Extendable Levels



1801106

- Extendable locking rails
- Heavy-duty aluminum 3-rail I-beam construction

Length	Description	Item #
4'	Extendable Level - Ext. 10'8"	1801106
5'	Extendable Level - Ext. 13'10"	1801107
6'	Extendable Level - Ext. 17'4"	1801108



*Guarantee refers to vial accuracy for the life of the product. See IRWIN.com for product listing.

Post Level - Magnetic



1794482

- Rubber strap for hands-free work
- Durable molded frame
- Plumb and level posts, poles, pipes, railings and more

Angle Locator - Magnetic



1794488

- High-impact ABS body
- Magnetic base
- V-groove edge for pipe and conduit

Cross Check Level



1794486

- Dual direction leveling
- Durable molded frame

Bullseye Level



1794487

- Multi-directional leveling
- Durable molded frame

Pocket Level



1794485

- Durable molded frame
- Pocket clip

IRWIN Utility Levels and Accessories

Rounding out the IRWIN levels offering is an array of convenient and time-saving utility levels. The durable Line and Pocket Levels are ideal for layout jobs, while the dual-directional Cross Check and Multi-Directional Bullseye levels allow you to level items in a snap. The Post Level has a magnetic strip and a rubber strap for convenient hands-free installation of posts, railings, pipes, and more. Whatever your leveling need, IRWIN has the level for the job.

Description	Item #
Utility Levels	
Post Level - Magnetic	1794482
Line Level	1794483
Aluminum Line Level	1794484
Pocket Level	1794485
Cross-Check Level	1794486
Bullseye Level	1794487
Angle Locator - Magnetic	1794488

Size	Description	Item #
Level Cases and Accessories		
48"	Soft Case	1804138
78"	Soft Case	1804139
48"	Hard Case	1804140
78"	Hard Case	1804221
48"-72"	Soft Case - Extendable Levels (Adjustable for all sizes)	1804222
-	Replacement Endcaps for 2500 and 2550 Series (2 pack)	1814467

48" Soft Case



1804138

- Heavy-duty fabric with padded protection
- Holds multiple levels

48" Hard Case



1804140

- Durable fabric covered hard case
- Holds multiple levels

Line Level



1794483

- High impact ABS body

Aluminum Line Level



1794484

- Durable aluminum body

IRWIN Squares

The comprehensive squares line from IRWIN® includes a variety of versatile tools with easy-to-read measurement scales and durable engineering to meet the demands of the jobsite. The line-up includes Hi-Contrast Rafter Squares and Framing Squares for easy, accurate readings when cutting rafters and marking a multitude of angles. The combination squares with durable cast zinc bodies and precision etched scales provide accurate 90° and 45° readings, and the T-Bevel is ideal as a depth gauge and for transferring angles. No matter the job, there's an IRWIN Square to help you do it right.

Metal Combination Square



- Black precision etched scales
- Durable cast zinc body
- Rust-proof stainless steel blade

Combination Square



- Black precision etched scales
- Rust-proof stainless steel blade

Hardwood Tri Squares



- Rust-proof stainless steel blade
- Black precision etched scales
- Brass bound hardwood handle

Tri Squares



- Rust-proof stainless steel blade
- Black precision etched scales
- High impact ABS handle

Hardwood T-Bevel



T-Bevel



Hi-Contrast Aluminum Rafter Square



- Durable rust-proof aluminum body
- Permanent deep markings
- Can be used as a protractor, saw guide, and tri & mitre square

Aluminum Rafter Square



Hi-Vis Rafter Square



Length	Description	Item #
Combination Squares - Used for 90° and 45° marking as well as a marking gauge for transferring measurements		
6"	Metal Combination Square	1794468
12"	Metal Combination Square	1794469
12"	Combination Square	1794470
16"	Metal Combination Square	1794471
Tri Squares - Used as a measurement tool and for marking 90°		
8"	Hardwood Tri Square	1794472
8"	Tri & Mitre Square	1794473
T-Bevels - Used as a depth gauge and for transferring angles		
10"	Hardwood T-Bevel	1794474
8"	T-Bevel	1794475
Rafter Squares - Used for marking angles for cutting rafters and for scribing lines, and also used as a protractor and saw guide		
7"	Hi-Contrast Aluminum Rafter Square	1794463
7"	Aluminum Rafter Square	1794464
12"	Aluminum Rafter Square	1794465
8"	Hi-Vis Rafter Square	1794466
12"	Hi-Vis Rafter Square	1794467

Hi-Contrast Aluminum Framing Square



1794447

- Permanent deep stampings for durability
- Multiple scales: 1/8", 1/10", 1/12", and 1/16"
- Rafter tables, brace and octagon scales, and essex board measure

Aluminum Carpenter Square



1794450

- Permanent deep stampings for durability
- Durable, rust-proof aluminum body

Length	Description	Item #
Framing & Carpenter Squares - Used for laying out and marking angles in framing, roofing, and stairway work, and for checking squareness and flatness		
16"x24"	Hi-Contrast Aluminum Framing Square	1794447
16"x24"	Aluminum Framing Square	1794448
16"x24"	Steel Framing Square	1794449
16"x24"	Aluminum Carpenter Square	1794450
16"x24"	Steel Carpenter Square	1794461
8"x12"	Steel Carpenter Square	1794462
-	Brass Stair Gauges	1794481
Drywall/T-Square & Straight Edge Squares - Used for measuring and marking sheets of drywall, plywood and other building materials		
48"	Aluminum Drywall Square	1794476
54"	Aluminum Drywall Square	1794477
48"	Adjustable Aluminum Drywall Square	1794478
36"	Aluminum Straight Edge	1794479
48"	Aluminum Straight Edge	1794480

Brass Stair Gauges



1794481

Adjustable Aluminum Drywall Square



1794478

- Adjustable - locks at 90° and adjustable to any angle
- Durable, rust-proof aluminum body
- Thermally bonded graduations with anodized finish

Aluminum Straight Edge



1794479

- Durable, rust-proof aluminum body
- Thermally bonded graduations with anodized finish

IRWIN®

STRAIT-LINE®

Marking & Layout Tools



www.irwin.com

Marking & Layout Tools

Chalk Reels

IRWIN STRAIT-LINE Chalk Reels

IRWIN® STRAIT-LINE® has manufactured chalk reels that meet and exceed end-user needs for over 50 years. The complete line of chalk reels focuses on speed, line and durability and ranges from 1:1 gear ratio up to 6:1 gear ratio.



Aluminum Chalk Reel

- 1:1 gear ratio
- Locking metal handle minimizes tangles
- Durable aluminum alloy construction



SPEEDLINE™ Chalk Reel

- 3.5:1 gear ratio
- Locking metal handle minimizes tangles
- Polyester line delivers 5-6 strikes per pull



SPEEDLINE Pro Chalk Reel

- 3.5:1 gear ratio
- Twist-off cap for easy refills
- Nylon/polyester braided line for 2X durability*



MACH6™ Chalk Reel

- 6:1 gear ratio
- EZ access door for quick line change
- Nylon/polyester braided line for 2X durability*



Large Capacity Chalk Reel

- 2:1 gear ratio
- Nylon polyester line is 2X stronger and resists fraying and breaking*
- Durable steel crank locks securely to prevent line tangles



MARKING & LAYOUT

Chalk Reel Features

	<i>PRECISION</i>	<i>MACH6</i>	<i>SPEEDLINE Pro</i>	<i>SPEEDLINE</i>	Aluminum Chalk Reel	Large Capacity Chalk Reel
Gear Ratio	3.5:1	6:1	3.5:1	3.5:1	1:1	2:1
Polyester Line				X	X	
Nylon/Polyester Line	Braided Premium	2X Stronger *	2X Stronger *			2X Stronger *
Case Material	Aluminum	Aluminum	Plastic & Aluminum	Plastic	Aluminum	Plastic
Steel Handle	X	X	X	X	X	X
Hook	Wide Pronged	Wide Pronged	Wide Pronged	Narrow	Narrow	Bull Ring
Chalk Fill Cap	1/4 Turn	1/4 Turn	1/4 Turn			
Chalk Fill Side Door				Locking	Locking	Sliding
EZ Access Door	Tool-less	X				
Metal Drive Gear		X				

*as compared to traditional polyester line

IRWIN STRAIT-LINE PRECISION

Chalk Reel

The IRWIN STRAIT-LINE PRECISION chalk reel is ideal for detail finish work. Designed with a smooth 3.5:1 gear system, this advanced chalk reel retrieves line up to 3.5 times faster than traditional models. Its metal plates and handle, plus premium thin line, provide extra strength for unrivaled durability. The tool-less EZ access door allows for easy entry into the back of the chalk reel to change or clean the line.

PRECISION CHALK REEL

FEATURES

1. Nylon/polyester braided ILine delivers multiple snaps of 1 mm (0.040") thickness, available in 1 mm or 0.5 mm (0.020") thickness
2. 3.5:1 gear ratio rewinds 3X faster* for increased productivity
3. Aluminum housing for increased durability and greater impact resistance
4. Large steel handle for increased durability and strength



Length	Description	Item #	Bulk Item #	Pack Qty
Reels				
50'	Aluminum Chalk Reel - Carded (1:1)	63950	—	6
100'	Aluminum Chalk Reel - Carded (1:1)	64110	64111	6/24
100'	SPEEDLINE Chalk Reel - Carded (3.5:1)	64310	64311	6/24
100'	SPEEDLINE Pro Chalk Reel - Carded (3.5:1)	2031318DS	—	6
100'	MACH6 Chalk Reel - Carded (6:1)	2031314DS	—	6
100'	PRECISION Chalk Reel	2031322	—	6
150'	Large Capacity Chalk Reel (2:1)	2031311	—	2
Combos				
100'	Aluminum Reel & 4 oz. Standard Blue Chalk (1:1)	64499	—	3
100'	Aluminum Reel & 4 oz. Hi-Visibility Orange Chalk (1:1)	64497	—	3
100'	Aluminum Reel & 4 oz. Permanent Red Chalk (1:1)	64498	—	3
100'	SPEEDLINE Chalk Reel & 4 oz. Standard Blue Chalk (3.5:1)	64494	—	3
100'	SPEEDLINE Chalk Reel & 4 oz. Permanent Red Chalk (3.5:1)	64495	—	3
100'	SPEEDLINE Pro Chalk Reel & 4 oz. Standard Blue Chalk (3.5:1)	2031319DS	—	8
100'	SPEEDLINE Pro Chalk Reel & 4 oz. Permanent Red Chalk (3.5:1)	2031320DS	—	8
100'	MACH6 Chalk Reel & 4 oz. Standard Blue Chalk (6:1)	2031315DS	—	8
100'	MACH6 Chalk Reel & 4 oz. Permanent Red Chalk (6:1)	2031316DS	—	8
Replacement Lines				
50'	Replacement Line - Polyester	64550	—	6
100'	Replacement Line - Polyester	64610	—	6
100'	SPEEDLINE Pro and MACH6 Replacement Line - Nylon/Polyester	2031333	—	6
100'	Premium Thin Chalk Reel Replacement Line - 1.0 mm Thickness	2031323	—	6
100'	Premium Ultra Thin Chalk Reel Replacement Line - 0.5 mm Thickness	2031324	—	6
150'	Replacement Line - Lrg. Cap. Chalk Reel (2031311) - Nylon/Polyester	2031313	—	1

*as compared to traditional chalk reels

Chalk Reels



STRAIT-LINE Marking Chalk

Keep the Chalk Where You Want It

IRWIN® STRAIT-LINE® marking chalks have a newly engineered flip-top cap that keeps the chalk in the bottle where you want it and stops it from spilling out in areas that you don't. The flip-top cap, available on all IRWIN STRAIT-LINE chalk bottles, seals the chalk in an airtight chamber, keeping out moisture and reducing the risk of clumping.

The Right Chalk for Every Job

The IRWIN STRAIT-LINE range of category-leading marking products include dust-off chalk and permanent staining chalk. Dust-off chalk is temporary chalk that can be used to mark interior walls and trim and then be wiped away cleanly. Permanent staining chalk is great for extreme outdoor conditions because it can withstand harsh weather conditions and months of jobsite wear.

In addition to dust-off and permanent staining, the range of chalk has varying levels of permanence, color and special uses. So whether working indoors or outdoors, on finished surfaces or in extreme conditions, IRWIN STRAIT-LINE has the ideal chalk for every job.

MARKING & LAYOUT



Description	Item #	Shelf Pack
Dust-Off Marking Chalk		
6 oz. - Light Violet - Dust-Off	4935426	6
Standard Marking Chalk		
4 oz. - Blue Chalk - Standard	64801	6
8 oz. - White Chalk - Standard	64904	6
8 oz. - Blue Chalk - Standard	64901	6
2.5 lb. - Blue Chalk - Standard	65201	6
5 lb. - White Chalk - Standard	65104	4
5 lb. - Blue Chalk - Standard	65101	4
Hi-Visibility Marking Chalk		
8 oz. - Yellow Chalk - Hi-Vis	64903	6
8 oz. - Orange Chalk - Hi-Vis	64905	6
8 oz. - Green Chalk - Hi-Vis	64907	6
2.5 lb. - Orange Chalk - Hi-Vis	65205	6
5 lb. - Yellow Chalk - Hi-Vis	65103	4
5 lb. - Orange Chalk - Hi-Vis	65105	4
5 lb. - Green Chalk - Hi-Vis	65106	4
Permanent Marking Chalk		
4 oz. - Red Chalk - Permanent	64802	6
8 oz. - Red Chalk - Permanent	64902	6
8 oz. - Black Chalk - Permanent	64908	6
2.5 lb. - Red Chalk - Permanent	65202	6
2.5 lb. - Black Chalk - Permanent	65207	6
5 lb. - Red Chalk - Permanent	65102	4
5 lb. - Black Chalk - Permanent	2032160	4
Permanent Staining Marking Chalk		
6 oz. - Indigo Blue - Permanent Staining	4935518	6
6 oz. - Crimson Red - Permanent Staining	4935519	6
6 oz. - Midnight Black - Permanent Staining	4935520	6
2 lb. - Crimson Red - Permanent Staining	4935522	6
4 lb. - Indigo Blue - Permanent Staining	4935524	4
4 lb. - Crimson Red - Permanent Staining	4935525	4
4 lb. - Midnight Black - Permanent Staining	4935526	4

Marking Chalk Color Permanence & Application Guide

PERMANENCY SCALE				
Low				High
DUST-OFF	STANDARD	HI-VISIBILITY	PERMANENT	EXTREME CONDITIONS
0 1 2 3 4	0 1 2 3 4	0 1 2 3 4	0 1 2 3 4	0 1 2 3 4
INDOOR/OUTDOOR	INDOOR/OUTDOOR	OUTDOOR	WEEKS OUTDOORS	MONTHS OUTDOORS
<ul style="list-style-type: none"> Eliminates the need for priming before painting Ideal for composite decking 	<ul style="list-style-type: none"> Temporary marking chalk 	<ul style="list-style-type: none"> Low light conditions 	<ul style="list-style-type: none"> Weather-resistant lines remain visible after weeks of weather and jobsite wear and tear 	<ul style="list-style-type: none"> Withstands months of weather and jobsite wear and tear
COLORS	COLORS	COLORS	COLORS	COLORS

STRAIT-LINE Lumber Crayons



66401

- For use on oily, slick, wet, cold or dry surfaces
- Ideal for lumber, concrete, ceramics, rubber, metal, paper and cardboard
- Non-toxic and waterproof

SHARPIE® China Markers



2089

- Ideal for writing on china, glass, metal or plastic
- Marks on porous and non-porous surfaces
- Fade and moisture-resistant
- Write length of 2500 ft.

STRAIT-LINE Carpenter Pencils & Sharpener



66300

- 7" overall length pencil



233250

STRAIT-LINE Chalk Markers & Soapstone



2033500

- For temporary marking on metal surfaces
- Made of natural soapstone for superior marking

Hexagon Plumb Bobs



13085

- Accurately machined steel, corrosion-resistant nickel plating

Description	Color	Qty.	Carded Item #	Bulk Item #
4-1/2" Wax Based Lumber Crayon	Red	12-pc.	—	66401
	Blue	12-pc.	—	66402
	Green	12-pc.	—	66403
	Black	12-pc.	—	66404
	White	12-pc.	—	66405
4-1/2" Wax Based Lumber Crayon	Yellow	12-pc.	—	66406
	Red	2-pc.	666012	—
	Black	2-pc.	666042	—
4-1/2" Wax Based Lumber Crayon	Yellow	2-pc.	666062	—
	Red	6-pc.	66501	—
Lumber Crayon Holder	Yellow	6-pc.	66506	—
	—	—	66510	—

Description	Color	Qty.	Bulk Item #
China Marker	Red	12-pc.	2059
	Black	12-pc.	2089
	White	12-pc.	2060

Description	Qty.	Carded Item #	Bulk Item #
Soft Lead Carpenter Pencil	12-pc.	—	66301
Medium Lead Carpenter Pencil	72-pc.	—	66305SL
Medium Lead Carpenter Pencil	12-pc.	—	66300
Medium Lead Carpenter Pencil	6-pc.	66400	—
Hard Lead Carpenter Pencil	12-pc.	—	66302
Carpenter Pencil Sharpener	25-pc.	—	233250

Description	Color	Qty.	Bulk Item #
Soapstone 5" x 1/2" x 3/16"	White	144	2033500
Railroad Chalk	White	144	2032150
Half Moon Carpenter Chalk	Blue	144	2032101

Description	Weight	Qty.	Carded Item #
Hex Plumb Bob	5 oz.	5	13055
Hex Plumb Bob	8 oz.	5	13085
Plumb Bob	12 oz.	5	13125

Marking & Layout Tools

Tapes / Flags / Twine

STRAIT-LINE® Flagging Tapes



65901



66200

- Flagging tape is weatherproof PVC for harsh outdoor conditions
- Barrier tape is co-extruded polyethylene for durability and weather-resistance
- Ideal for construction, landscaping, excavating, identification of trees or hazards and locating underground cables or pipe

MARKING & LAYOUT

STRAIT-LINE Stake Flags



- Bright, fade-resistant color for maximum visibility
- Ideal for above-ground marking, even at -40°

STRAIT-LINE #18 Braided Twine



Length	Description	Qty.	Bulk Item #
Flagging Tape			
150'	Glo Red	24	65601
	Glo Orange	24	65602
	Glo Pink	24	65603
	Glo Lime	24	65604
	Glo Yellow	24	65605
300'	Red	24	65901
	Orange	24	65902
	Blue	24	65903
	White	24	65904
	Yellow	24	65905
Barrier Tape			
300' x 3"	CAUTION	8	66200
300' x 3"	DANGER - DO NOT ENTER	8	66202
300' x 3"	WET PAINT	8	66222
1000' x 3"	CAUTION - CONSTRUCTION AREA	8	66211
1000' x 3"	CAUTION	8	66231
Danger Flags Roll			
12" x 12"	Red Danger Flags	1	2034208
Floor Tape			
2" x 54'	Yellow/Black Floor Tape	12	2034300

Length	Color	Qty.	Bulk Item #
2.5" X 3.5" X 21"	Glo Orange	10x100 pc.	64100
	Glo Pink	10x100 pc.	64101
	Glo Lime	10x100 pc.	64102
	White	10x100 pc.	2034204
	Yellow	10x100 pc.	2034205
	Blue	10x100 pc.	2034206
	Glo Red	10x100 pc.	2034207

Length	Description	Qty.	Bulk Item #
100'	Orange # 18 Braided Twine	12	2034410
	Fluorescent Green # 18 Braided Twine	12	2034411
270'	Orange # 18 Braided Twine	12	2034403
	Fluorescent Green # 18 Braided Twine	12	2034408
500'	Orange # 18 Braided Twine	12	2034404
	Fluorescent Green # 18 Braided Twine	12	2034409

IRWIN®

Handsaws




www.irwin.com

IRWIN Universal Handsaw

The IRWIN® Universal Handsaw delivers performance and quality results that users demand on the jobsite. With a proprietary handle design, the angle in which force is exerted converts energy into full blade strokes, cutting through multiple materials. This specially-designed handle, combined with triple-ground teeth, reduces binding and cuts three times faster than traditional handsaws. The Universal Handsaw provides the speed of a coarse-cutting saw, and the fine finish of a fine-cutting saw. Designed for fast cuts, the universal handsaw is a jobsite staple.

UNIVERSAL HANDSAW

FEATURES



1. Proprietary handle-to-blade angle for more natural motion, reduced cutting effort, and less binding
2. Triple Ground Teeth that cut on both the push and pull stroke to achieve coarse cut speed, fine cut finish, and ease of start
3. Lighter than traditional handsaws for less hand fatigue
4. Built-in 45° and 90° marking angles

1773465 (1773467*)

HANDSAWS

Carpenter Saws	Typical User	Common Applications
	<ul style="list-style-type: none"> General Carpenter Exterior Trim Carpenter Remodeler 	<ul style="list-style-type: none"> General utility cuts Overhead fascia and gable work Removing door plates Drywall rough-in Tight cuts where power tools can't reach Making hand cuts in custom installations when the miter angle is greater than 55°

15" Universal Handsaw



1773465 (1773467*)

15" ProTouch Fine-Cut Handsaw



2011200

15" Standard Coarse-Cut Handsaw



2011102

Description	Blade Length	Blade Thickness	Tooth Count	Item #	Canadian Item #
Universal Handsaw	15" (381 mm)	.85 mm	11 pt.	1773465	1773467
	20" (508 mm)	.85 mm	11 pt.	1773466	1773468
ProTouch Coarse-Cut Saw	15" (381 mm)	1 mm	9 pt.	2011201	2011201
	20" (508 mm)	1 mm	9 pt.	2011204	2011204
	24" (609 mm)	1 mm	9 pt.	2011203	2011203
ProTouch Fine-Cut Saw	15" (381 mm)	1 mm	12 pt.	2011200	2011200
	24" (609 mm)	1 mm	12 pt.	2011202	2011202
Standard Coarse-Cut Saw	15" (381 mm)	1 mm	9 pt.	2011102	2011102
	20" (508 mm)	1 mm	9 pt.	2011104	2011104

* indicates Canadian item numbers

ProTouch™ Drywall/Jab Saw



2014100

Typical User:

Drywall Contractor, Electrician, Plumber, HVAC

Common Applications:

Roughing in drywall, cutting out HVAC and electrical openings, or cutting ceiling tile openings for light installation

- Thick-body blade
- Aggressive Tri-Ground™ teeth
- Ergonomic ProTouch handle

Standard Drywall/Jab Saw



2014102

Typical User:

Drywall Contractor, Electrician, Plumber, HVAC

Common Applications:

Roughing in drywall, cutting out HVAC and electrical openings, or cutting ceiling tile openings for light installation

- Rigid blade
- Bi-Ground teeth
- Hardwood handle

ProTouch Coping Saw



2014400

Typical User:

Interior Trim Contractor, Woodworker

Common Applications:

Cutting the curved profile on crown, base or chair rail moulding

- Flat-bar frame with 5-1/2" (140 mm) frame depth
- High speed steel blade
- DuraSteel™ pins
- Ergonomic ProTouch handle

ProTouch Dovetail/Jamb Saw



2014450

Typical User:

Tile Contractors, Remodelers

Common Applications:

Flush cutting door jambs and millwork for tile installation/ prep

- Wide-body reversible flush-cut blade
- Spring-loaded pin enables blade to reverse for left or right cutting
- Ergonomic ProTouch handle

ProTouch Multi-Saw



2015100

Typical User:

MRO, General Contractors

Common Applications:

Quick and convenient cuts in PVC, wood or metal, and flush-cutting screws or other fasteners

- Includes both metal & wood blades
- Ergonomic handle is comfortable in multiple holding positions

Standard Utility Saw



2014200

Typical User:

Woodworker, General Contractors

Common Applications:

Cutting curves into wood, plywood or plasterboard

- Thick-body blade (1 mm)
- Aggressive tri-ground teeth
- Hardwood handle

Description	Blade Length	Blade Thickness	Tooth Count	Item #
ProTouch Drywall/Jab Saw	6-1/2" (165 mm)	1.5 mm	9 pt.	2014100
Standard Drywall/Jab Saw	6-1/2" (165 mm)	1.2 mm	7 pt.	2014102
ProTouch Coping Saw	6-1/2" (165 mm)	—	17 pt.	2014400
Coping Saw Replacement Blades - Coarse 3pk	6-1/2" (165 mm)	—	17 pt.	2014500
Coping Saw Replacement Blades - Fine 3pk	6-1/2" (165 mm)	—	21 pt.	2014501
ProTouch Dovetail/Jamb Saw	10" (254 mm)	2" (50 mm)	14 pt.	2014450
ProTouch Multi-Saw Metal Blade	10" (254 mm)	—	24 pt.	2015100
Wood Blade	5-1/4" (133 mm)	—	10 pt.	—
Standard Utility Saw (Wood/Drywall)	11-1/2" (292 mm)	—	10 pt.	2014200

Pull Saw Advantages

Unlike traditional handsaws that cut with a push stroke, pull saws are designed with a micro-thin blade that cuts on the pull stroke. The thin blade and precision-ground teeth provide clean cuts. The pulling motion prevents binding and provides better control. Less weight, coupled with the natural pulling motion, results in less user fatigue.

Type of Saw	Typical User	Common Application
General Carpentry 	<ul style="list-style-type: none"> Interior Trim Contractors Exterior Trim Contractors Hardwood Flooring Contractors Traditional Woodworkers Cabinetmakers 	Woodworking <ul style="list-style-type: none"> Cutting hand-cut dovetails Creating miters on small millwork, such as shoe and quarter-round moulding Flush-cutting dowels Construction <ul style="list-style-type: none"> Flush-cutting shims and door casings Overhead fascia and gable work Making utility trim cuts on millwork and hardwood flooring
Double Edge 		

15" General Carpentry Saw



213100

Primary use – Aggressive cross-cutting

- Flexible blade for flush cuts
- User example: General Carpenter – cleaning out the 90° circular saw cut on a stair stringer and bird's mouth rafter cut

12" General Carpentry Saw



213101

Primary uses – Cross-cutting and ripping

- Flexible blade for flush cuts
- User example: Exterior Trim Carpenter – cutting the overhang of gable soffit

Extra Fine-Cut Saw



213102

Primary uses – Fine miter or hand dovetail cuts

- Spine provides support for more control
- User example: Woodworker – cutting hand dovetails for furniture assembly

Double Edge Saw



213103

Primary uses – Utility ripping and cross-cutting

- Flexible blade for flush cuts
- User example: General Carpenter – flush-cutting door shims and remodeling – cleanout of door casing prior to laying new floor tile

Dovetail/Detail Saw



213104

Primary uses – Flush-cutting dowels and fine detail cut

- Flexible blade for flush cuts
- User example: Interior Trim Carpenter – detail work around windows and door frames

Combi-Saw



218HP-300

Primary uses – Wood cutting and metal cutting

- User example: Landscaper – cutting small trees
- User example: General Contractor – cutting metal pipes

Description	Tooth Count	Blade Length	Handle Material	Item #
Pull Saw - Carpenter	10 pt.	15" (380 mm)	2-Polymer	213100
	14 pt.	12" (305 mm)	2-Polymer	213101
Pull Saw - Extra Fine (with spine)	19 pt.	10-5/8" (270 mm)	2-Polymer	213102
Pull Saw - Double Edge (rip/cross-cut)	7 pt./17 pt.	9-1/2" (240 mm)	Polymer	213103
Pull Saw - Mini Dovetail/Detail	22 pt.	7-1/4" (185 mm)	Polymer	213104
Utility Saw - Combi-Saw	4 pt. Bow Saw Blade 24 pt. Hack Saw Blade	12" (317 mm)	ProTouch Handle	218HP-300

IRWIN®

Utility Knives & Blades



www.irwin.com

IRWIN 4-Point Snap Blades

IRWIN® 4-Point snap blades combine the toughness of a traditional blade with the functionality of a snap blade. When one edge dulls, just snap the tip for another sharp tip. With four cutting edges, these blades are built to last twice as long as traditional carbon blades.

4-POINT SNAP BLADE

FEATURES

1. Snaps on the score for new sharp tip
2. Four notches for full blade extension

2X
MORE CUTS
vs. traditional carbon blades



1764983 (1782112*)

Bi-Metal Utility Blades



2084100

- Bi-Metal blade stays sharp 3X longer than traditional carbon blades
- Shatter-proof

Bi-Metal Safety Blades



2088100

- Blunt tips help prevent puncture wounds
- Shatter-proof Bi-Metal blade stays sharp 3X longer than traditional carbon blades
- Speed tip penetrates surfaces easily

4-Point Snap Blades



1764983 (1782112*)

- 2X longer life than traditional carbon blades
- Snaps on the score for new sharp tip
- Four notches for full blade extension

UTILITY KNIVES & BLADES

Carbon Utility Blades



2083100

- Traditional utility blade for general purpose use

Carbon Hook Blades



2087100

- Hooked point protects surface underneath

Description**	Quantity	U.S. Item #	Canadian Item #
Bi-Metal Utility Blades	5-Pack	2084100	2084100
	20-Pack w/ Dispenser	2084200	2084200
	50-Pack w/ Dispenser	2084300	2084300
	100-Pack w/ Dispenser	2084400	2084400
Bi-Metal Safety Blades	5-Pack	2088100	2088100
	50-Pack w/ Dispenser	2088300	2088300
	100 Bulk Pack	1764981	1764981
	400 Bulk Pack	1764982	1764982
4-Point Snap Blades	5-Pack	1764983	1782112
	10-Pack	1764984	1782113
	50-Pack w/ Dispenser	1764985	1782114
	100-Pack w/ Dispenser	1764986	1782115
Carbon Utility Blades	5-Pack	2083100	2083100
	100-Pack w/ Dispenser	2083200	2083200
Carbon Hook Blades	5-Pack	2087100	2087100
	100-Pack w/ Dispenser	2087102	2087102

(*IRWIN utility blades fit IRWIN and most other utility knives)

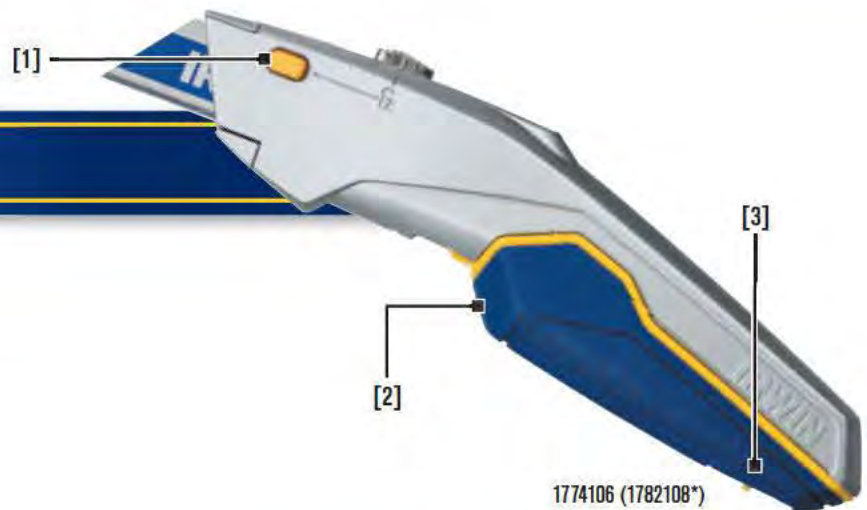
* indicates Canadian item numbers

Retractable Utility Knives

PROTOUCH™ RETRACTABLE UTILITY KNIFE

FEATURES

1. Quick-Change blade mechanism
2. Trigger-grip for cutting on the pull
3. Hinged blade storage for up to 10 blades



General Contractor Utility Knife



1774105 (1782107*)

- Push-and-slide opening for tool-free access
- Removable blade storage housing
- Trigger-grip for cutting on the pull

Self-Retracting Safety Knife



2088600

- Self-retracting for safer use
- Thumbscrew for tool-free access
- Optimized cutting angle for reduced hand fatigue

Hi-Vis Retractable Utility Knife



2082300

- Optimized cutting angle for reduced hand fatigue
- Smooth, three-position slide exposes variable blade lengths
- Screw permanently captured in casing to prevent loss

* indicates Canadian item numbers



UTILITY KNIVES & BLADES

Standard Retractable Utility Knife



2082101

- Optimized cutting angle for reduced hand fatigue
- Smooth, three-position slide exposes variable blade lengths
- Screw permanently captured in casing to prevent loss

Utility Knives & Blades

Retractable, Fixed, Folding and Specialty Utility Knives

Fixed Utility Knives

Drywall Fixed Utility Knife



1774103 (1782106*)

- Slim nose for greater control
- Thumb-screw for tool-free access
- Trigger-grip for cutting on the pull

Standard Fixed Utility Knife



2081101

- Optimized cutting angle for reduced hand fatigue
- Screw permanently captured in casing to prevent loss

Folding Utility Knife



2089100

- 45° quick-change button for easy blade change
- Wire stripper notch for built-in convenience
- Anchored belt clip for convenient access



Specialty Flooring Knives

Carpet Knife



1774107 (1782109*)

- Thumbscrew for tool-free access
- Angled handle to keep hand above cutting material
- Built-in blade storage

Carpet Blades



1777341 (1782111*)

Linoleum Knife



1774108 (1782110*)

- Hardwood handle for increased durability
- Hooked blade for cutting on the pull

UTILITY KNIVES & BLADES

Description	Case Qty.	U.S. Item #	Canadian Item #
Retractable Utility Knives			
ProTouch Retractable Utility Knife	5	1774106	1782108
General Contractor Utility Knife	5	1774105	1782107
Self-Retracting Safety Knife	5	2088600	2088600
Hi-Vis Retractable Utility Knife	5	2082300	2082300
Standard Retractable Utility Knife	5	2082101	2082101
Fixed Utility Knives			
Drywall Fixed Utility Knife	5	1774103	1782106
Standard Fixed Utility Knife	5	2081101	2081101
Folding Utility Knives			
Folding Utility Knife	10	2089100	2089100
Specialty Flooring Knives			
Carpet Knife	5	1774107	1782109
Carpet Knife Blades	5	1777341	1782111
Linoleum Knife	5	1774108	1782110

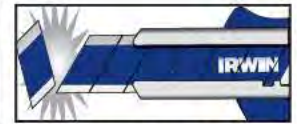
* indicates Canadian item numbers

Bi-Metal Snap Blades

IRWIN Bi-Metal snap blades are produced through a patented process of combining two types of metal, spring steel and high speed steel, allowing the blade to bend without accidentally breaking. It also ensures that the blade snaps cleanly on the score every time.



Hi-Flex Blade



Snaps Cleanly Every Time

BI-METAL SNAP BLADES
FEATURES



1. Snaps cleanly on the score
2. Stays sharp 3X longer than traditional carbon blades
3. Shatter-proof



18 mm ProTouch™ Snap Knife



2086203

- ProTouch™ handle provides secure grip and comfort
- Patented auto blade lock and auto blade load
- Internal blade storage

18 mm Standard Snap Knife



2086102

- Patented auto blade lock and blade load
- Hinged end-cap with snap closure
- Internal blade storage

9 mm ProTouch Snap Knife



2086200

- ProTouch handle provides secure grip and comfort
- Patented auto blade lock and auto blade load
- Internal blade storage

9 mm Standard Snap Knife



2086100

- Patented auto blade lock and auto blade load
- Handle provides secure grip and comfort
- Internal blade storage

Bi-Metal Snap Blade Refill Packs



2086404

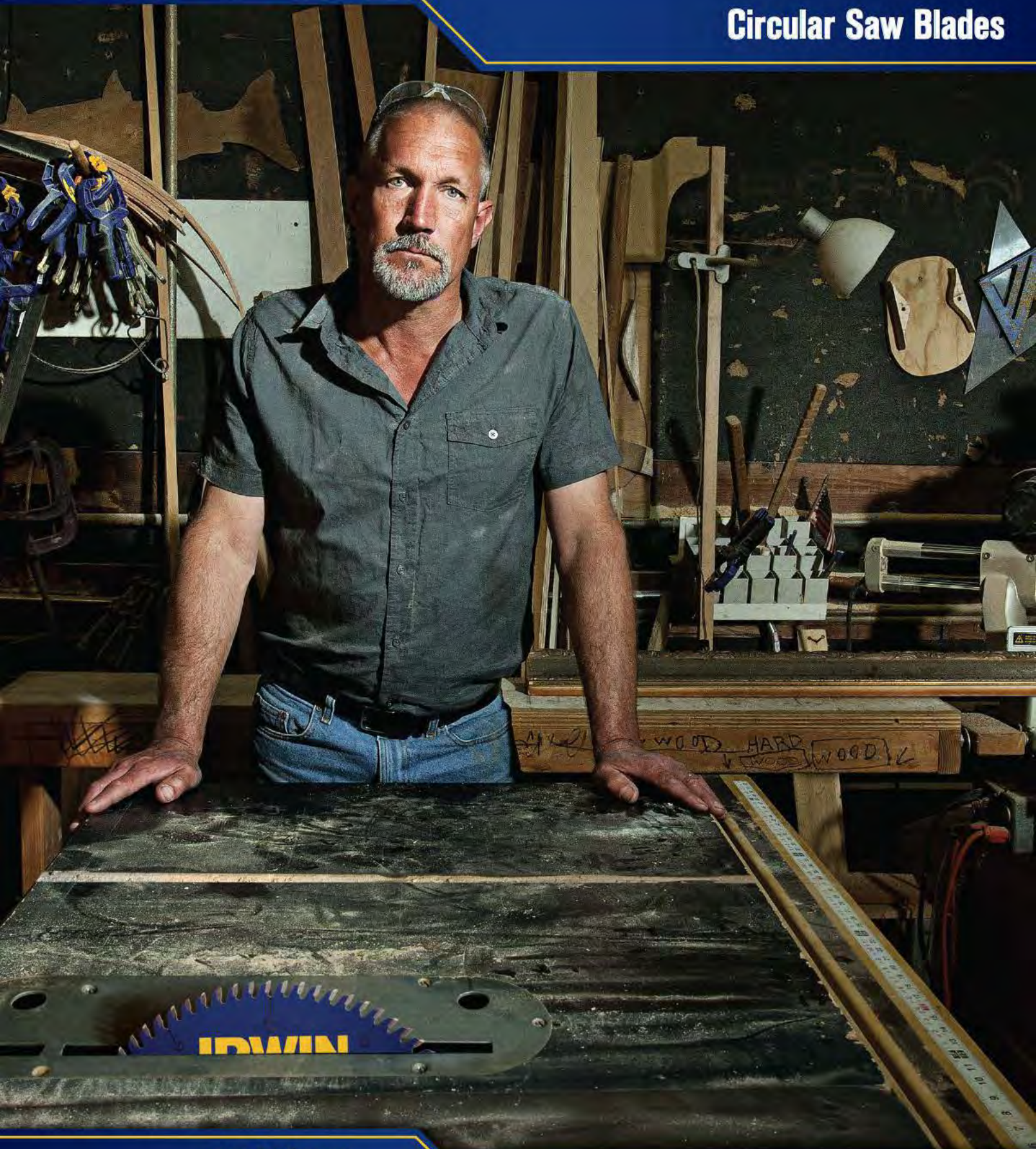
- Easy one-touch dispensing
- Convenient, durable carrying case
- Available in packs of 3, 10, and 50

UTILITY KNIVES & BLADES

Description	Case Quantity	U.S. / Canadian Item #
Snap Knives & Blades		
ProTouch Snap Knife w/ 9 mm Carbon Blade	5	2086200
ProTouch Snap Knife w/ 18 mm Bi-Metal Blade	5	2086203
Standard Snap Knife w/ 9 mm Carbon Blade	5	2086100
Standard Snap Knife w/ 18 mm Bi-Metal Blade	5	2086102
3-Pack - 9 mm Carbon Blades	5	2086300
10-Pack - 9 mm Carbon Blades	5	2086301
Bi-Metal Snap Blades		
3-Pack Bi-Metal Snap Blades - 18 mm	25	2086403
10-Pack Bi-Metal Snap Blades - 18 mm	5	2086404
50-Pack Bi-Metal Snap Blades - 18 mm	5	2086405

IRWIN®

Circular Saw Blades



www.irwin.com

Circular Saw Blades

The Complete Saw Blade Solution

IRWIN® now offers a comprehensive line-up of circular saw blades for professional tool users. From the job site, to the fine woodworking shop, IRWIN offers a blade for every user need.

CONSTRUCTION SERIES SAW BLADES

Construction Series Saw Blades – IRWIN MARATHON® saw blades, designed to meet the pressures of the jobsite, provide long life and durability without sacrificing speed of cut.

**IRWIN.
MARATHON.**



CIRCULAR SAW BLADES

WOODWORKING SERIES SAW BLADES

IRWIN Marples® Woodworking Series saw blades are specially engineered to meet the quality and craftsmanship fine woodworkers and finish carpenters demand.

**IRWIN.
Marples.**



SPECIALTY SERIES SAW BLADES

IRWIN's specialty circular saw blades, designed to provide superior cutting performance in a variety of materials, are a versatile jobsite staple.

IRWIN.








The Professional Tradesman's Choice for Construction

When you're building, there's no room for error. It's a tireless pursuit to get the job done right, to produce something to be proud of and not just any blade will do. You want the blade that helps you do the job the way it was meant to be done. That's why professional tradesmen choose the MARATHON® family of circular saw blades from IRWIN®. Offering a wide variety of blades for every construction application, IRWIN is the brand of blades you can always depend on.

The Standard for Jobsite Productivity

IRWIN Tools makes MARATHON circular saw blades for a full range of saws and applications. Use the table below to match blades for your equipment with your project plans. Locate the saw type and blade diameter in the left column. The columns to the right list the recommended blade sizes and the available number of teeth per blade.

Type of Saw	Blade Diameter	Arbor	Application	Teeth
Cordless Circular Saws 	5-3/8"	10 mm	Framing / Ripping	18, 24
	5-1/2"	10 mm	Framing / Ripping	18, 24
	6-1/2"	5/8" (16 mm)	Framing / Ripping	18, 24
			Trim / Finish	40
Corded Circular Saws 	6-1/2"	5/8" (16 mm) and Diamond Knockout	Framing / Ripping	20
	7-1/4"	5/8" (16 mm) and Diamond Knockout	Framing / Ripping	16, 18, 24
			Decks	24
Worm Drive Circular Saws 	7-1/4"	5/8" (16 mm) and Diamond Knockout	Framing / Ripping	18, 24
			Decks	24
			Trim / Finish	40
Table and Miter Saws 	8 - 8-1/4"	5/8" (16 mm) and Diamond Knockout	General Purpose	24
			Trim / Finish	40
	10"	5/8" (16 mm) and Diamond Knockout	General Purpose	24
			Decks	40
			Trim / Finish	60
Compound Miter and Sliding Compound Miter Saws 	10"	5/8" (16 mm)	Framing / Ripping	24
			Decks	40
			Trim / Finish	60
			Trim / Finish	80
	12"	1" (25 mm)	General Purpose	40
Trim / Finish			72	
Trim / Finish			80	
			Trim / Finish	100

Circular Saw Blades

Construction Series Saw Blades

Made Stronger. Lasts Longer.

IRWIN® has redefined excellence in the world of saw blades with the introduction of MARATHON® with WeldTec™. This revolutionary saw blade has WELDED carbide teeth for a 30% stronger tooth bond that provides 50% longer life. UC2™ (sub-micro grain) carbide teeth are 70% more compact than standard carbide teeth, and are sharpened to finer, more durable cutting edges that stay sharp longer.

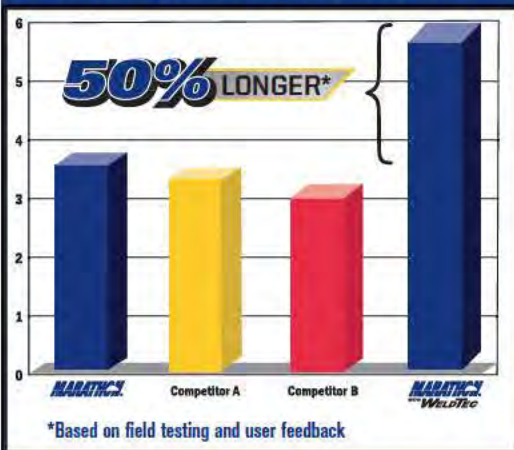
MARATHON WELDTec SAW BLADES FEATURES

1. With WeldTec Technology the carbide teeth are welded, not brazed, resulting in 30% stronger tooth bond, longer life and durability
2. UC2 carbide with sub-micro grain is 70% tougher than standard carbide, stays sharp longer, with best-in-class cut quality
3. Innovative heat vents and expansion slots for straighter cuts
4. Reinforced shoulder for durability



CIRCULAR SAW BLADES

How many weeks did this blade last?



Diameter	Saw Type	Tooth Count	Arbor	Kerf	Hook Angle	Grind	Item #	Bulk Item #	Applications
MARATHON w/ WeldTec Saw Blades									
5-3/8"	Cordless	18	10 mm	1.6 mm	19	ATB	4935203	-	Framing / Ripping
6-1/2"	Cordless	24	5/8"	1.6 mm	20	ATB	1794386	-	Framing / Ripping
7-1/4"	Portable Corded	6	5/8" Diamond	1.8 mm	15	ATB	1794385	-	Fiber Cement
7-1/4"	Portable Corded	24	5/8" Diamond	1.8 mm	21	ATB	14035	24035	Framing / Ripping
7-1/4"	Portable Corded	40	5/8" Diamond	1.8 mm	15	ATB	4935200	-	Trim / Finish
8-1/2"	Miter/Table Saw	60	5/8"	2.2 mm	8	ATB	4935204	-	Trim / Finish



24030



25130



11440

IRWIN MARATHON Saw Blades

- Every other tooth is ground thinner for faster cuts
- Construction-grade carbide teeth for long life
- Reinforced shoulder for added durability
- Heat vent and expansion slot design reduces vibration for longer life and straighter cuts
- Fastest Framing Blade Ever™

IRWIN Classic Series Saw Blades

- Precision-ground teeth for smooth, accurate cuts
- Corrosion-resistant coating helps prevent rusting
- Professional performance at an economic price

IRWIN Portable Corded Steel Saw Blades

- Precision-ground teeth for smooth, accurate cuts
- Fully-hardened plate runs truer longer
- Heavy-gauge high carbon steel for extended life

Diameter	Tooth Count	Arbor	Kerf	Hook Angle	Grind	Item #	Bulk Item #	Applications
IRWIN MARATHON Portable Corded Carbide Saw Blades								
6-1/2"	20	5/8" Diamond	.071"	24°	ATB	—	24021	Framing / Ripping
7-1/4"	18	5/8" Diamond	.071"	20°	ATB	14028	24028	Framing / Ripping
7-1/4"	24	5/8" Diamond	.071"	20°	ATB	14030	24030	Framing / Ripping
7-1/4"	40	5/8" Diamond	.071"	20°	ATB	14031	24031	Trim / Finish
IRWIN Classic Series Portable Corded Carbide Saw Blades								
7-1/4"	16	5/8" Diamond	.087"	22°	ATB	15030	25030ZR	General Purpose
7-1/4"	24	5/8" Diamond	.087"	19°	ATB	15130	25130	Framing / Ripping / Decks
7-1/4"	40	5/8" Diamond	.087"	20°	ATB	15230ZR	25230	Trim / Finish
7-1/4"	60	5/8" Diamond	.087"	18°	ATB	15530ZR	25530	Trim / Finish
IRWIN Portable Corded Steel Saw Blades								
7-1/4"	26	5/8" Diamond	.087"	28°	Top/Face	11040ZR	—	Framing / Ripping
7-1/4"	40	5/8" Diamond	.087"	17°	Top/Face	11140	—	Trim / Finish
7-1/4"	60	5/8" Diamond	.087"	5°	Top/Face	11240	—	Trim / Finish
7-1/4"	140	5/8" Diamond	.079"	5°	Top/Face	11840	21840ZR	Trim / Finish
7-1/4"	150	5/8"	.063"	2°	Top/Face Hollow Ground	11440	21440	Trim / Finish
IRWIN MARATHON Portable Corded Deck Saw Blade (Pressure-Treated Wood)								
7-1/4"	24	5/8" Diamond	.071"	20°	ATB	14130	24130	Deck Blade

Circular Saw Blades

Construction Series Saw Blades



14076



15370



11270

IRWIN® MARATHON® Miter / Table Saw Blades

- #400 grit diamond ground teeth for a smooth finish
- Construction grade carbide teeth for longer life
- Precision balanced for accurate smooth cuts
- Thin kerf for fast cuts and longer motor life

IRWIN Classic Series Miter / Table Saw Blades

- Precision-ground teeth for smooth, accurate cuts
- Corrosion-resistant coating helps prevent rusting
- Professional performance for an economic price

IRWIN Steel Miter / Table Saw Blades

- Precision-ground teeth for smooth, accurate cuts
- Fully-hardened plate runs truer longer
- Heavy gauge, high carbon steel for extended life

CIRCULAR SAW BLADES

Diameter	Tooth Count	Arbor	Kerf	Hook Angle	Grind	Item #	Bulk Item #	Applications
IRWIN MARATHON Miter/Table Carbide Saw Blades								
8-1/4"	24	5/8" Diamond	.083"	20°	ATB	14050ZR	—	General Purpose
8-1/4"	40	5/8" Diamond	.083"	15°	ATB	14053	—	Trim / Finish
10"	24	5/8" Diamond	.095"	20°	ATB	14233	24233	Framing / Ripping
10"	40	5/8" Diamond	.095"	20°	ATB	14070	24070	Decks
10"	60	5/8" Diamond	.095"	15°	ATB	14074	—	Trim / Finish
10"	80	5/8" Diamond	.095"	10°	ATB	14076	—	Trim / Finish
12"	40	1"	.098"	20°	ATB	14080	—	General Purpose
12"	72	1"	.098"	15°	ATB	14082	—	Trim / Finish
12"	80	1"	.098"	5°	ATB	14083	—	Trim / Finish
12"	100	1"	.098"	10°	ATB	14084	—	Trim / Finish
IRWIN Classic Series Miter / Table Carbide Saw Blades								
8 - 8-1/4"	24	5/8" Diamond	.087"	16°	ATB	15150	—	General Purpose
8 - 8-1/4"	40	5/8" Diamond	.087"	17°	ATB	15250	—	Trim / Finish
10"	24	5/8" Diamond	.102"	22°	ATB	15070	—	Framing / Ripping
10"	40	5/8" Diamond	.102"	16°	ATB	15270	—	Decks
10"	60	5/8"	.102"	12°	ATB	15370	—	Trim / Finish
IRWIN Miter / Table Saw Steel Blades								
10"	40	5/8"	.110"	18°	Top / Face	11170	—	Decks
10"	80	5/8"	.079"	6°	Top / Face	11670	—	Trim / Finish
10"	80	5/8"	.110"	6°	Top / Face Hollow Ground	11270ZR	—	Trim / Finish
10"	180	5/8"	.094"	2°	Top / Face	11870	—	Trim / Finish
IRWIN Miter Saw Laser Guides								
						3061001	—	Miter / Table Saw
						3061002	—	Abrasive Chop Saw

For use with table saws, portable table saws, miter saws, sliding miter saws and radial arm saws





24029CL

IRWIN MARATHON Cordless Carbide Saw Blades

- Ultra-thin kerf for more cuts per charge
- Face-ground carbide teeth for fast, clean cuts
- Aggressive hook angle for fast cuts
- Construction-grade carbide teeth for longer life



15120

IRWIN Classic Series Cordless Carbide Saw Blades

- Corrosion-resistant coating helps prevent rusting
- Precision-ground teeth for smooth, accurate cuts
- Professional performance at an economic price



11220

IRWIN Classic Series Cordless Steel Saw Blades

- Precision-ground teeth for smooth, accurate cuts
- Fully hardened plate runs truer longer
- Heavy-gauge, high carbon steel for extended life

Diameter	Tooth Count	Arbor	Kerf	Hook Angle	Grind	Item #	Bulk Item #	Applications
IRWIN MARATHON Cordless Carbide Saw Blades								
5-3/8"	18	10 mm	.063"	25°	ATB	14015	—	Framing / Ripping
5-3/8"	24	10 mm	.063"	23°	ATB	14017	—	Framing / Ripping
5-1/2"	18	10 mm	.063"	20°	ATB	14027	—	Framing / Ripping
5-1/2"	24	10 mm	.063"	20°	ATB	14011	—	Framing / Ripping
6-1/2"	18	5/8"	.063"	25°	ATB	14020	24020	Framing / Ripping
6-1/2"	24	5/8"	.063"	22°	ATB	14029	24029CL	Framing / Ripping
6-1/2"	40	5/8"	.063"	20°	ATB	14023	—	Trim / Finish
IRWIN Classic Series Cordless Carbide Saw Blades								
6-1/2"	24	5/8" Diamond	.087"	22°	ATB	15120	—	Framing / Ripping
6-1/2"	40	5/8" Diamond	.087"	19°	ATB	15220	—	Trim / Finish
IRWIN Cordless Steel Saw Blades								
6-1/2"	60	5/8"	.087"	5°	Top / Face	11220	—	Trim / Finish
6-1/2"	140	5/8"	.079"	4°	Top / Face	11820ZR	—	Trim / Finish

For use with cordless saws



CIRCULAR SAW BLADES

Circular Saw Blades

Marples® Woodworking Series Saw Blades

EXTENDED LIFE. FLAWLESS FINISH.

IRWIN is proud to introduce a full line of fine woodworking saw blades that are manufactured in Italy to the highest standards of precision required for fine woodworking and finish carpentry. These industry-leading laser-cut, thin kerf saw blades are produced in a highly-automated, state-of-the-art facility in Udine, Italy – the heart of high-quality circular saw blade manufacturing. Engineered with oversized, high-quality carbide, the new Marples Woodworking Series saw blades provide the extended life and flawless finish professional woodworkers and finish carpenters demand.



MARPLES WOODWORKING SERIES SAW BLADES FEATURES

1. Extra-sharp, oversized carbide teeth are re-sharpenable for long life
2. Precision tensioned for flawless cuts
3. Heat-resistant non-stick coating reduces gumming for easy cleanup and truer, cleaner cuts



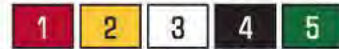
CIRCULAR SAW BLADES



Diameter	Tooth Count	Saw Type	Arbor	Kerf	Hook Angle	Grind	Item #	Canadian Item #	Applications
Marples Woodworking Series Saw Blades									
10"	24	Table Saw	5/8"	2.5 mm	15°	ATB	1807366	1853156	Ripping
10"	40	Miter/Table Saw	5/8"	2.5 mm	15°	ATB	1807367	1853157	General Purpose
10"	50	Miter/Table Saw	5/8"	2.5 mm	15°	ATB+R	1807368	1853158	Combination
10"	60	Miter/Table Saw	5/8"	2.5 mm	10°	ATB	1807369	1853159	Fine Cross-Cutting
10"	80	Miter/Table Saw	5/8"	2.5 mm	10°	HI-ATB	1807370	1853160	Ultra Smooth Cross-Cutting
10"	84	Miter/Table Saw	1"	2.5 mm	5°	TCG	1807381	1853191	Laminates, Melamine, Non-Ferrous Metals
12"	40	Miter Saw	1"	2.5 mm	15°	ATB	1807382	1853192	General Purpose
12"	60	Miter Saw	1"	2.5 mm	10°	ATB	1807383	1853193	Fine Cross-Cutting
12"	80	Miter Saw	1"	2.5 mm	10°	HI-ATB	1807384	1853194	Ultra-Smooth Cross-Cutting
12"	96	Miter/Table Saw	1"	2.5 mm	-2°	HI-ATB	1807385	1853195	Delicate Cross-Cutting
12"	100	Miter/Slide Miter Saw	1"	2.5 mm	5°	TCG	1807386	1853196	Laminates, Melamine, Non-Ferrous Metals
8" DADO	12	Table/Radial Arm Saw	5/8"	2.5 mm	-	-	1811865	1853197	Tongue and Groove, Rabbets and Shelving

Woodworking Series Saw Blade Selection Chart

RATING SCALE: (1=FAIR, 3=GOOD, 5=BEST)



			MATERIAL CUTTING CHART AND RATING											
		Purpose	Recommended Power Tool	Hardwoods	Softwoods	Composite Materials	Treated Lumber	Pressure Plywood	Melamine	Veneered Plywood	Delicate Moulding	Subal Laminates	Double Laminates	Non-Ferrous Metals
10" Woodworking Blades	10" X 24T 15° ATB	Ripping	Table Saw	5	5	5	5	3	2	1	2	2	N/A	
	10" X 40T 15° ATB	General Purpose	Miter Saw or Table Saw	5	5	5	5	4	2	2	3	3	N/A	
	10" X 50T 15° ATB+R	Combination	Miter Saw or Table Saw	5	5	5	5	5	4	4	4	4	N/A	
	10" X 60T 10° ATB+R	Fine Cross-Cutting	Miter Saw or Table Saw	4	5	4	4	4	4	4	5	4	2	
	10" X 80T 10° HI-ATB	Ultra-Smooth Cross-Cutting	Miter Saw or Table Saw	5	5	4	4	5	5	5	5	3	1	
	10" X 84T 5° TCG	Laminates, Melamine, Non-Ferrous Metals	Miter Saw or Table Saw	4	3	4	3	4	5	5	4	5	5	
12" Woodworking Blades	12" X 40T 15° ATB	General Purpose	Miter Saw	4	4	4	4	3	2	1	2	2	1	
	12" X 60T 10° ATB	Fine Cross-Cutting	Miter Saw	4	5	4	4	4	4	4	4	4	2	
	12" X 80T 10° HI-ATB	Ultra-Smooth Cross-Cutting	Miter Saw	5	5	4	4	5	5	5	5	3	1	
	12" X 96T -2° HI-ATB	Delicate Cross-Cutting	Miter Saw or Slide Miter Saw	4	4	5	4	5	5	5	5	4	3	
	12" X 100T 5° TCG	Laminates, Melamine, Non-Ferrous Metals	Miter Saw	5	3	3	3	4	5	5	4	5	5	
DADO	DADO 8" X 12T	Tongue and Groove, Rabbits and Shelving	Table Saw or Radial Arm Saw	5	5	5	5	3	2	1	2	2	N/A	

CIRCULAR SAW BLADES




Hook Angles		Teeth Grind Configuration			
POSITIVE HOOK ANGLE	NEGATIVE HOOK ANGLE	ATB ALTERNATE TOP BEVEL	ATB+R ALTERNATE TOP BEVEL + RAKER	TCG TRIPLE CHIP GRIND	HI-ATB HIGH ALTERNATE TOP BEVEL
<p>FEATURES</p> <ul style="list-style-type: none"> Increases feed rate for faster cutting in wood Hook angles are typically highest on blades intended for ripping Angles range from 5°-15° 	<p>FEATURES</p> <ul style="list-style-type: none"> Provides maximum control over the feed rate, especially when cutting delicate materials, laminates and metals Available in -2° 	<p>FEATURES</p> <ul style="list-style-type: none"> Teeth alternate between a right and left bevel to form a knife-like edge on either side for a cleaner cut 	<p>FEATURES</p> <ul style="list-style-type: none"> Designed to do both cross-cutting and ripping Teeth are arranged in a three or five-tooth pattern and incorporate a flat raking tooth after each sequence of ATB teeth 	<p>FEATURES</p> <ul style="list-style-type: none"> Excels at cutting hard materials like laminates, MDF, plastics and non-ferrous metals Teeth alternate between a flat raking tooth and a trapezoid shaped tooth 	<p>FEATURES</p> <ul style="list-style-type: none"> Used for extra-fine cross-cutting High bevel angle increases the knife-like action at the edge of the blade

Circular Saw Blades

Specialty Series Saw Blades

Alternate Building Material Trends

Recognizing the emergence of alternate building materials on the jobsite, IRWIN® developed a line of specialty blades designed to provide superior cutting performance in a variety of materials. Just as metal framing and fiber cement siding are used to extend the strength and life of a building structure, IRWIN's specialty blades are engineered with unique technologies that extend the life of the blades used to cut these materials.

Materials	Blade Diameter	Arbor	Application	Teeth
Metal 	5-3/8"	20mm, 5/8" (16mm), 10mm	Steel	30
	6-3/4"	5/8" (16mm)	Steel	40
	7"	20mm, 5/8" (16mm)	Steel	36
	7-1/4"	5/8" (16mm) and Diamond Knockout	Steel/Thin Steel	48, 68
	8"	5/8" (16mm) and Diamond Knockout	Steel	50
	9"	1" (25mm)	Steel	48
	10"	5/8" (16mm)	Thin Steel	80
	12"	1" (25mm)	Steel	60
	14"	1" (25mm)	Steel	80
Fiber Cement 	7-1/4"	5/8" (16mm)	Fiber Cement	4
	10"	5/8" (16mm)	Fiber Cement	6
	12"	1" (25mm)	Fiber Cement	8
Vinyl Siding & PVC 	7-1/4"	5/8" (16mm)	Vinyl Siding	120T

CIRCULAR SAW BLADES



Fiber Cement Saw Blades

FIBER CEMENT SAW BLADES
FEATURES

1. Ground and hardened plate body provides smooth and accurate cuts
2. Polycrystalline diamond-tipped teeth provide longer cutting life
3. 4T thin kerf blade produces less dust than continuous rim blades
4. Laser-cut blade body, stronger tooth bond and greater accuracy



15X

LONGER CUTTING LIFE*

*vs. standard carbide fiber cement blade

Metal Cutting Saw Blades

METAL CUTTING SAW BLADES
FEATURES

1. Laser-cut anti-vibration vents keep the blade cool for smooth and accurate cuts
2. Anti-kickback tooth shoulder reduces dust and sparks for safer cuts
3. Metal cutting-grade carbide teeth withstand impact, reduce wear and deliver long life
4. Laser-cut blade body, stronger tooth bond and greater accuracy



CIRCULAR SAW BLADES

Circular Saw Blades

Specialty Series Saw Blades



4935473



4935555



11830

IRWIN® Fiber Cement PCD Saw Blades

- Ground and hardened plate body provides smooth and accurate cuts
- 4T PCD polycrystalline diamond-tipped teeth provide 15X longer cutting life
- Thin kerf blade produces less dust than continuous rim blades

IRWIN Metal Cutting Saw Blades

- Laser-cut blades and anti-vibration vents keep blade cool for smooth and accurate cuts
- Metal cutting-grade carbide teeth withstand impact, reduce wear and deliver longer life.

IRWIN Vinyl Cutting Saw Blades

- Optimized, symmetric 60° tooth design angle eliminates chipping and cracking for a fast, smooth finish when pushing or pulling through the cut
- Innovative heat vent and expansion slot designs
- Efficient chip ejection prevents binding and blade warping

CIRCULAR SAW BLADES

Diameter	Tooth Count	Arbor	Kerf	Hook Angle	Grind	Item #	Bulk Item #	Applications
IRWIN Fiber Cement PCD Saw Blades								
7-1/4"	4	5/8" Diamond	.071"	10	Flat	4935473	—	Fiber Cement
10"	6	5/8"	.079"	10	Flat	4935624	—	Fiber Cement
12"	8	1"	.087"	10	Flat	4935625	—	Fiber Cement
IRWIN Metal Saw Blades								
5-3/8"	30	20 mm, 5/8", 10 mm	.063"	0	MATB	1779856	—	Steel
6-3/4"	40	20 mm, 5/8"	.079"	0	MATB	4935554	—	Steel
7"	36	20 mm, 5/8"	.079"	0	MATB	1779857	—	Steel
7-1/4"	48	5/8" w/ KO	.079"	0	MATB	4935555	4935556	Steel / Thin Steel
7-1/4"	68	5/8" w/ KO	.079"	0	MATB	4935560	—	Thin Steel
8"	50	5/8" w/ KO	.079"	0	MATB	4935557	—	Steel
9"	48	25 mm, 5/8"	.079"	0	MATB	1779858	—	Steel
10"	80	5/8"	.079"	0	MATB	4935561	—	Thin Steel
12"	60	1"	.098"	0	MATB	4935558	—	Steel
14"	80	1"	.110"	0	MATB	4935559	—	Steel
IRWIN Portable Corded Vinyl Saw Blade								
7-1/4"	120	5/8" Diamond	.055"	60°	Top / Face	11830	21830ZR	Vinyl / PVC
IRWIN Portable Corded Fiber Cement Saw Blade								
7-1/4"	6	5/8" Diamond	.079"	15°	ATB	15702ZR	—	Fiber Cement

IRWIN®

Linear Edge



www.irwin.com

BI-METAL RECIPROCATATING SAW BLADE FEATURES

1. Patented WeldTec™ tooth design — MADE STRONGER. LASTS LONGER.™
2. High-speed steel cutting edge with 8% cobalt stays sharper, lasts longer
3. Increased tang angle for optimal speed and cutting performance
4. Heavy-duty Bi-Metal construction extends life, increases durability, and prevents breakage



Teeth Per Inch Selection Guide

3 TPI	6 TPI	8 TPI	10 TPI	10/14 TPI	14 TPI	18 TPI	24 TPI	GRIT
ROUGH			CUT QUALITY				SMOOTH	
FAST			CUT SPEED				SLOW	
Wood								
		Thick Metal 1-8" - 1/2"						
					Medium Metal 3/32" - 5/16"			
						Thin Metal 1/8" and Less		
								Abrasives

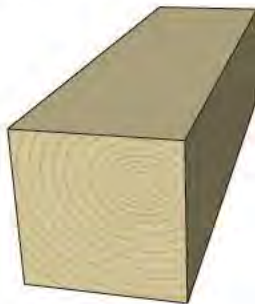
LINEAR EDGE

Blade Length Selection Guide

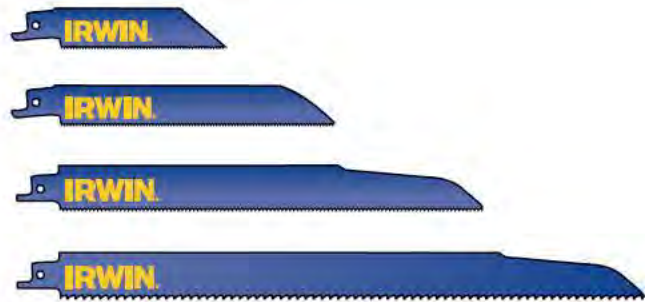
For best results, use a TPI that yields 2-3 teeth in the material at all times.



Width



Width



Width of Material + 3" = Blade Length

Wood & Nail-Embedded Wood Cutting

WITH WELDTEC



372656

- Great for roughing-in work and nail-embedded wood
- Fast-cutting for wood, composition materials and plastic
- Use with materials 3/16" (5 mm) and thicker

Length	TPI	Blade Thickness	Item #	Item # (5-pk)	Item # (25-pk)	Bulk # (25pk)	Bulk # (50-pk)
6"	6	.035"	372606	372606P5	372606B	—	—
6"	6	.050"	372656	372656P5	372656B	372656B25	372656BB
9"	6	.050"	372956	372956P5	372956B	372956B25	372956BB
12"	6	.050"	372156	372156P5	372156B	372156B25	372156BB

Wood & Metal Cutting

WITH WELDTEC



372610

- Cuts nail-embedded wood, composition materials, plastic, pipe, carbon steel and stainless steel
- Use with materials 1/8" (3.2 mm) and thicker

Length	TPI	Blade Thickness	Item #	Item # (5-pk)	Item # (25-pk)	Bulk # (25-pk)	Bulk # (50-pk)
6"	10	.035"	372610	372610P5	372610B	372610B25	372610BB
8"	10	.050"	372810	372810P5	372810B	372810B25	372810BB
12"	10/14	.050"	372110	372110P5	372110B	372110B25	372110BB

Metal Cutting

WITH WELDTEC



372614

- Cuts all metals including non-ferrous pipe conduit, stainless and sheet metals
- Use with materials 1/8"-1/2" (3.2 -13 mm) thick

Length	TPI	Blade Thickness	Item #	Item # (5-pk)	Item # (25-pk)	Bulk # (25-pk)	Bulk # (50-pk)
4"	14	.035"	4935312	372414P5	—	—	—
4"	18	.035"	4935313	372418P5	—	—	—
4"	24	.035"	4935314	372424P5	—	—	—
6"	14	.035"	372614	372614P5	372614B	372614B25	372614BB
6"	18	.035"	372618	372618P5	372618B	372618B25	372618BB
6"	24	.035"	372624	372624P5	372624B	372624B25	372624BB
8"	18	.035"	372818	372818P5	372818B	372818B25	372818BB
12"	18	.035"	—	372118P5	—	—	—

Demolition

WITH WELDTEC



372966

- For heavy duty and demolition applications in wood and metal
- Use with materials 3/16" (5 mm) and thicker

Length	TPI	Blade Thickness	Item #	Item # (5-pk)	Bulk # (50-pk)
6"	6	.062"	372666	372666P5	372666BB
9"	6	.062"	372966	372966P5	372966BB
9"	10	.062"	372960	372960P5	372960BB
12"	6	.062"	4935012	4935013	4935015

Specialty



372606C

- Designed for specialty applications, pruning and fiber cement board

Application	Length	TPI	Blade Thickness	Item #
Fiber Cement Board	6"	6 Carbide	.050"	372606C
Fiber Cement Board	8"	3 Carbide	.050"	372803C
General Purpose, Wood & Metal Cutting	6"	6 Fleam	.050"	372645F
Pruning, Fast Wood Cutting	9"	4/5 Fleam	.050"	372945F

Reciprocating Saw Blades Set



4935496

- Contains 11 blades for the most popular cutting applications

Description	Application	Contents	Item #
11-Piece Recip Blade Set	Wood / Nail-Embedded Wood / Metal	(1) 372956, (5) 372656, (1) 372818, (4) 372614	4935496

LINEAR EDGE

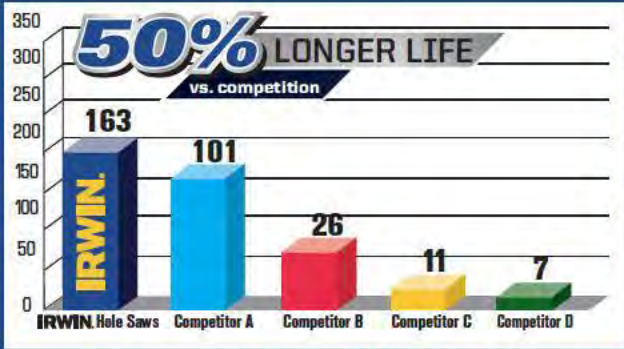
BI-METAL HOLE SAW

FEATURES

1. Patented WeldTec™ 4.5/5.5 variable tooth design provides longer life and improves cutting performance
2. Variable depth gullets reduce friction and improve chip clearance efficiency
3. Heavy-duty Bi-Metal construction extends life and increases durability



Hole Saw Performance (average number of cuts)



1008 Steel - .062" Thick / 200 RPM, 60 lbs. Force
(Mode of Failure - 2 cuts at 60 seconds or 1 at 90 seconds)



Diameter	Mild Steel	Tool & Stainless	Cast Iron	Brass	Alum.
1-5/8" (41 mm)	210	105	140	280	315
1-11/16" (43 mm)	205	100	135	270	305
1-3/4" (44 mm)	195	95	130	250	295
1-13/16" (46 mm)	190	95	125	250	285
1-7/8" (48 mm)	180	90	120	240	270
2" (51 mm)	170	85	115	230	255
2-1/16" (52 mm)	165	80	110	220	245
2-1/8" (54 mm)	160	80	105	210	240
2-1/4" (57 mm)	150	75	100	200	225
2-5/16" (59 mm)	140	70	95	190	220
2-3/8" (60 mm)	140	70	95	190	220
2-1/2" (64 mm)	135	65	90	180	205
2-9/16" (65 mm)	130	65	85	175	200
2-5/8" (67 mm)	130	65	85	170	195
2-3/4" (70 mm)	125	60	80	160	185
2-7/8" (73 mm)	120	60	80	160	180
3" (76 mm)	115	55	75	150	170
3-1/8" (79 mm)	110	55	70	140	165
3-1/4" (83 mm)	105	50	70	140	155
3-3/8" (86 mm)	100	50	65	130	150
3-1/2" (89 mm)	95	45	65	130	145
3-5/8" (92 mm)	95	45	60	120	140
3-3/4" (95 mm)	90	45	60	120	135
3-7/8" (98 mm)	85	40	55	110	130
4" (102 mm)	85	40	55	110	130
4-1/8" (105 mm)	80	40	55	110	120
4-1/4" (108 mm)	80	40	55	110	120
4-3/8" (111 mm)	75	35	50	100	105
4-1/2" (114 mm)	75	35	50	100	105
4-3/4" (121 mm)	70	35	45	90	95

Hole Saw RPM Reference Guide

Diameter	Mild Steel	Tool & Stainless	Cast Iron	Brass	Alum.
9/16" (14 mm)	580	300	400	790	900
5/8" (16 mm)	550	275	365	730	825
11/16" (17 mm)	500	250	330	665	750
3/4" (19 mm)	460	230	300	600	690
25/32" (20 mm)	425	210	280	560	630
13/16" (21 mm)	425	210	280	560	630
7/8" (22 mm)	390	195	260	520	585
15/16" (24 mm)	370	185	245	495	555
1" (25 mm)	350	175	235	470	525
1-1/16" (27 mm)	325	160	215	435	480
1-1/8" (29 mm)	300	150	200	400	450
1-3/16" (30 mm)	285	145	190	380	425
1-1/4" (32 mm)	275	140	180	360	410
1-5/16" (33 mm)	260	135	175	345	390
1-3/8" (35 mm)	285	145	190	380	425
1-7/16" (37 mm)	240	120	160	315	360
1-1/2" (38 mm)	230	115	150	300	345
1-9/16" (40 mm)	220	110	145	290	330

LINEAR EDGE

Bi-Metal Hole Saws

Diameter	Pipe Entrance	Pipe Tap	Recommended RPM (In Steel)	Boxed Item #
9/16"	—	—	580	373090BX
5/8"	—	—	550	373058BX
11/16"	—	—	500	373011BX
3/4"	3/8"	1/2"	460	373034BX
13/16"	—	—	425	373013BX
7/8"	1/2"	3/4"	390	373078BX
15/16"	—	—	370	373015BX
1"	—	—	350	373100BX
1-1/16"	—	—	325	373110BX
1-1/8"	3/4"	1"	300	373118BX
1-3/16"	—	—	285	373130BX
1-1/4"	—	—	275	373114BX
1-5/16"	—	—	260	373150BX
1-3/8"	1"	—	285	373138BX
1-7/16"	—	—	240	373170BX
1-1/2"	—	1-1/4"	230	373112BX
1-9/16"	—	—	220	373190BX
1-5/8"	—	—	210	373158BX
1-11/16"	—	—	205	373111BX
1-3/4"	1-1/4"	1-1/2"	195	373134BX
1-13/16"	—	—	190	373113BX
1-7/8"	—	—	180	373178BX
2"	1-1/2"	—	170	373200BX
2-1/16"	—	—	165	373210BX
2-1/8"	—	—	160	373218BX
2-1/4"	—	2"	150	373214BX
2-5/16"	—	—	140	373250BX
2-3/8"	—	—	140	373238BX
2-1/2"	2"	—	135	373212BX
2-9/16"	—	—	130	373290BX
2-5/8"	—	2-1/2"	130	373258BX
2-3/4"	—	—	125	373234BX



Diameter	Pipe Entrance	Pipe Tap	Recommended RPM (In Steel)	Boxed Item #
2-7/8"	—	—	120	373278BX
3"	2-1/2"	—	115	373300BX
3-1/8"	—	—	110	373318BX
3-1/4"	—	3"	105	373314BX
3-3/8"	—	—	100	373338BX
3-1/2"	—	—	95	373312BX
3-5/8"	3"	—	95	373358BX
3-3/4"	—	3-1/2"	90	373334BX
3-7/8"	—	—	85	373378BX
4"	—	—	80	373400BX
4-1/8"	3-1/2"	—	80	373418BX
4-1/4"	—	—	75	373414BX
4-3/8"	—	—	75	373438BX
4-1/2"	—	4-1/2"	70	373412BX
4-3/4"	—	—	65	373434BX
5"	—	—	180	373500BX
5-1/2"	—	—	60	373512BX
6"	—	—	55	373600BX

LINEAR EDGE

Bi-Metal Hole Saw Kits



3073004

- Kits include bi-metal hole saws, arbors, and pilot drill bit

Description	Contents	Item #
9-Piece Plumber's Kit	3/4", 7/8", 1-1/8", 1-1/2", 1-3/4", 2-1/4, 1/2" Hex, 3/8" Hex, Pilot Drill	3073002
9-Piece Electrician's Kit	7/8", 1-1/8", 1-3/8", 1-3/4", 2", 2-1/2", 1/2" Hex, 3/8" Hex, Pilot Drill	3073003
17-Piece General Purpose Kit	5/8", 3/4", 7/8", 1", 1-1/8", 1-1/4", 1-3/8", 1-1/2", 1-3/4", 2", 2-1/2", 3", 1/2" Hex, 1/2" Hex, Pilot Drill (3)	3073004

Hole Saw Arbors



373002

- Tough, durable construction
- For 3/8" and 1/2" drill chucks
- Removable pilot drill for easy replacement

Shank Size	Shank Type	Fits Hole Saw Sizes	Pin Driven	Item #
3/8"	Standard Hex	9/16" - 1-3/16"	No	373001
1/2"	Standard Hex	9/16" - 1-3/16"	Yes	373002
3/8"	Standard Hex	1-1/4" - 6"	No	373003
1/2"	Standard Hex	1-1/4" - 6"	Yes	373004
1/4"	Quick-Change Hex	9/16" - 1-3/16"	No	373005
N/A	—	1/4" Replacement Pilot Drill	—	373000

* Indicates Canadian item numbers

Linear Edge

Door Lock Kits / Jigsaw Blades / Portable Band Saw Blades

Door Lock Installation Kits



3111002 (3111002C*)

- Self-centering jig fits all common door widths
- Adjustable for both 2-3/8" and 2-3/4" backsets
- Complete installation in 3 easy steps

Jig Saw Blades



3071412



3072410D

- Wood cutting: precision-ground teeth for fast smooth cutting in hard and soft wood, plastics, laminate particle board and plywood
- Metal cutting: fully hardened teeth for cutting ferrous and non-ferrous metals, aluminum and sheet steel

LINEAR EDGE

Door Width	Backset	Door Type	Hole Saw Type	U.S. Item #	Canadian Item #
1-1/4" or 1-3/4"	2-3/8" or 2-3/4"	Wood	Carbon Steel	3111001	3111001C
1-1/4" or 1-3/4"	2-3/8" or 2-3/4"	Wood or Metal	Bi-Metal	3111002	3111002C

Blade Length	TPI	Blade Material	Tooth Design	Carded Item # (2-pk)
U-Shank				
3"	—	5/32 Carbide Grit	—	3071300
3-1/4"	10	Bi-Metal	Milled	3071314
3-1/4"	20	Bi-Metal	Milled	3071320
3-1/4"	36	Bi-Metal	Milled	3071336
4"	6	Carbon	Fleam Ground	3071406
4"	10	Carbon	Milled	3071410
4"	10	Carbon	Fleam Ground	3071412
4"	10	Carbon	Fleam Ground	3071410D
6-Piece Assorted	Includes: (1) 3071320, (1) 3071314, (1) 3071406, (1) 3071412, (2) 3071410,			3071001
T-Shank				
3"	—	5/32 Carbide Grit	—	3072300
3"	10	Bi-Metal	Milled	3072314
3"	20	Bi-Metal	Milled	3072320
3"	36	Bi-Metal	Milled	3072336
4"	6	Carbon	Fleam Ground	3072406
4"	10	Carbon	Milled	3072410
4"	10	Carbon	Fleam Ground	3072412
4"	10	Carbon	Fleam Ground	3072410D
6-Piece Assorted	Includes: (1) 3072320, (1) 3072314, (1) 3072406, (1) 3072412, (2) 3072410,			3072001

Portable Band Saw Blades



3074000P3

- Shatter resistant, bi-metal construction for extended life
- 8% Cobalt content for added durability
- Electron beam weld construction provides flexibility

Blade Length	TPI	Height	Blade Thickness	Item # (3-pk)	Bulk # (25-pk)
44-7/8"	10/14	1/2"	.020"	3074000P3	3074000P25
44-7/8"	14	1/2"	.020"	3074001P3	3074001P25
44-7/8"	18	1/2"	.020"	3074002P3	3074002P25
44-7/8"	24	1/2"	.020"	3074003P3	3074003P25
44-7/8"	14/18	1/2"	.020"	3074004P3	3074004P25

Portable Band Saw Matrix

Blade Length	TPI	Recommended Thickness
44-7/8"	14	1/4" to 1/2"
44-7/8"	18	1/8" to 1/4"
44-7/8"	24	3/32" to 1/8"
44-7/8"	14/18	1/8" to 1/2"

Application	IRWIN®#	Length	TPI	LENOX	Bosch	Dewalt	Milwaukee	Morse
Metal Cutting	372414P 372414P5	4"	14	20550-414R 20488-B414R 20551-S414R	S518B S522AF S522BF	DW4807 DW4807B	48-01-5181, 48-00-5181, 48-01-6181, 48-00-1172, 48-01-1181, 48-00-1181, 48-02-1181	RB41014P, RB41014B, RB414B, RB414P, RB414C, RH414B, RH414P
	372418P 372418P5	4"	18	20552-418R 20489-B418R	S518E S522EF	DW4810	48-01-5183, 48-00-5183, 48-01-6183, 48-01-1183, 48-02-1183, 48-00-1183, 48-00-1174	RB418P, RB418B, RB418C, RH418B, RH418P
	372424P2 372424P5	4"	24	2055-424R 20490-B424R 20555-S424R	S518EF S518G	DW4812	48-10-5185, 48-00-5185, 48-01-6185, 48-01-1185, 48-00-1185, 48-00-1176, 48-00-1185	RB424B, RB424HP, RB424C, RH424B, RH424P
	372614 372614P5 372614B	6"	14	20564-614R 20494-B614R 20565-S614R	S918BF S918B S922BF	DW4808 DW4808B	48-01-5182, 48-02-5182, 48-00-5182, 48-01-6182, 8-01-5282, 48-00-5282, 48-01-6282, 48-01-1182, 48-02-1182, 48-00-1182, 48-00-1179	RB614B, RB614P, RB614C, RH614B, RH614P
	372618 372618P5 372618B	6"	18	20566-618R 20529-B618R 20567-S618R	S918EF S918E S922EF	DW4811 DW4811B DW4878	48-01-5184, 48-02-5184, 48-00-5184, 48-01-6184, 48-01-6184, 48-01-5284, 48-00-5284, 48-01-6284, 48-01-1184, 48-02-1184, 48-00-1184, 48-00-2170	RB618B, RB618C, RB618P, RH618B, RH618P
	372624 372624P5 372624B	6"	24	20568-624R 20496-B624R 20569-S624R	S918A S922AF	DW4813	48-01-5186, 48-02-5186, 48-00-5186, 48-01-6186, 48-01-5286, 48-00-5286, 48-01-1186, 48-02-1186, 48-00-2171	RB624B, RB624P, RB624C, RH624B, RH624P
	372810 372810P5 372810B	8"	10	20580-810R 20590-B810R 20581-S810R	S1018H S1122HF	DW4865 DW4865B	48-01-5093, 48-02-5093, 48-00-5093, 48-01-6093, 48-01-5193, 48-00-5193, 48-01-6193, 48-01-3093, 48-02-3093, 48-00-2175, 48-00-5713, 48-00-8713	RB8501014B, RB8501014P, RB8501014C, RB810B, RB810P, RB81014B, RB81014P, RB81014C
	372818 372818P5 372818B	8"	18	20578-818R 20487-B818R 20563-S618R	S1122EF	DW4921	48-01-5188, 48-02-5188, 48-00-5188, 48-01-6188, 48-00-5788, 48-00-8788	RB818B, RB818P, RB814B, RB814P, RB814C
	372118P5	12"	18	21510-118R 21511B118R			48-015189	RB1218P
	Wood Cutting	372606 372606P5 372606B	6"	6	2056-606R 20492-B606R 20559-S606R	S811DF S811D S828D	DW4850	48-00-5012, 48-01-5012, 48-01-6012
Metal and Wood Cutting		372610 372610P5 372610B	6"	10	20562-610R 20493-B610R 20561-S610R	S811HF S811H S922VF	DW4845 DW4806 DW4806B DW4877	48-01-5092, 48-02-5092, 48-00-5092, 48-01-6092, 48-01-3092, 48-02-3092, 48-00-1064
	372110 372110P5 372110B	12"	10	20583-110R 20491-B110R 20584-S110R	S1211H S1222VF	DW4838	48-01-5094, 48-02-5094, 48-00-5094, 48-01-6094, 48-01-5194, 48-00-5194, 48-01-6194, 48-01-3094, 48-02-3094	RB12501014B, RB12501014P, RB12501014C, RB121014P, RB121014B, RB1214P
	372606C	6"	6	20596-6565RCT				RTCT606ST25, RTCT606SC
Nail Embedded Wood Cutting	372656 372656P5 372656B	6"	6	20572-656R 20530-B656R 20573-S656R	S611DF S644D S611VF S644DF	DW4847 DW4848B DW4802 DW4802B DW4876	48-01-5031, 48-02-5031, 48-00-5031, 48-01-6031, 48-01-5035, 48-02-5035, 48-00-5035, 48-01-6035, 48-00-5015, 48-01-3031, 48-02-3031, 48-00-3031, 48-01-3035, 48-02-3035, 48-00-3035, 48-01-1012, 48-02-1012, 48-00-1031	RB63506B, RB53606P, RC606STB, RC606B, RB65006B, RB65006P, RB65006C, RC606STP
	372956 372956P5 372956B	9"	6	20582-956R 20558-B956R 20587-S956R	S1544DF S1511DF	DW4848 DW4803 DW4803B	48-01-5036, 48-02-5036, 48-00-5036, 48-01-6036, 48-00-5016, 48-00-3036, 48-01-3036, 48-00-1033, 48-02-3036	RB95006B, RB93500B, RC905B, RB95006P, RB035006P, RC905P, RB95006C, RB906B, RC900P
	372156 372156P5 372156B	12"	6	20585-156R 205495-B156R 20586-S156R	S1344D S1411DF S1344DF	DW4849 DW4804 DW4804B	48-01-5037, 48-02-5037, 48-00-5037, 48-01-6037, 48-00-5017, 48-01-3037, 48-02-3037, 48-00-3037, 48-00-1032, 48-00-1302	RB125006, RC1206C, RB125006P, RC1206P, RB125006C, RB123506B, RB123506P
	Demolition	372666 372666P5	6"	6	20512-6066R 20614-B6066R	—	DW4862	48-00-5021, 48-00-8021
372966		9"	6					
372960 372960P5		9"	10	20597-960R 20524-B960R	—	DW4865 DW4865B	—	RB96210120, RB9621013
		12"	6					

LINEAR EDGE

IRWIN®

Fastener Drive & Screwdriving



www.irwin.com

Tools Manufactured for Strength and Value

Industry-Specific Screwdriver Bits

Fastener heads are often designed for the particular needs of specific applications and industries. The table below identifies the most common fastener styles used in each industry. All IRWIN fastener drive bits are manufactured to meet ANSI standards.

Features

- Made of high-grade S2 tool steel.
- Wide variety of point sizes to fit many different applications.
- On the Rockwell hardness scale, IRWIN bits are between 58-62.

INDUSTRY	PROFILE	Phillips®	Slotted	Square Recess	TORX®	Tamper Resistant TORX®	Hex	POZIDRIV®	TORQ-SET®	TRI-WING®	Spanner	Frearson	Clutch G	Clutch A
		+	-	□	☆	☆	⬡	✱	+	⋄	⋮	+	-	⊞
Appliance		•	•	•	•			•						
Automotive		•	•		•		•	•						
Aviation		•	•						•	•		•		
Cabinetry				•								•		
Construction		•	•					•						
Control Panels							•				•			
Decking		•	•	•				•						
Drywall		•		•										
Electronics		•	•		•	•	•		•	•				
Furniture		•	•	•			•							
Hobby		•	•				•					•	•	•
HVACR		•	•	•										
Machine Tools/Metal							•							
Manufactured Housing													•	•
Marine		•	•									•		
Recreation		•	•				•					•	•	•
Security				•	•	•			•	•	•			
Subfloor		•		•										

®TRI-WING, POZIDRIV, TORQ-SET, and Phillips are registered trademarks of the Phillips Screw Company.

®TORX is a registered trademark of Acument Intellectual Properties, LLC.

Phillips Bit Selection

The chart below shows the proper Phillips bit to use for driving each type of fastener.

Find the screw type and size you are driving. The column at the far left lists the proper point size to use.

Screw Type:	APPLICATION					
	Wood			Sheet Metal	Machine	
	Flat, Oval	Round	Flat, Oval, Binding	Flat, Oval, Round, Stove, Binding	Round Fillister	Truss Brazier Button
Phillips Bit Point Size	Size			Size	Size	
0	0, 1	0, 1	0, 1	0, 1	0, 1	0, 1
1	2, 3, 4	2, 3, 4	2, 3, 4	2, 3, 4	2, 3, 4	2, 3, 4, 5
2	5, 6, 7, 8, 9	5, 6, 7, 8, 9, 10	5, 6, 7, 8, 9, 10	5, 6, 7, 8, 9, 10	5, 6, 7, 8, 9, 10	6, 8, 10
3	10, 12, 14, 16	12, 14, 16	12, 14	12, 14	12, 1/4", 5/16"	12, 1/4"
4	18, 20, 24	18, 20, 24	5/16", 3/8", 7/16", 1/2"	—	3/8", 7/16", 1/2"	5/16", 3/8", 7/16", 1/2"

Impact Performance Series™ Screwdriving Bits are Built for Impact Drivers.

While most screwdriving bits are simply compatible with impact drills and drivers, IRWIN® Impact Performance Series™ fastener drive bits are engineered for maximum durability and long life with impact drivers. These bits are forged* rather than milled, so they fit fasteners more precisely, which reduces stripping and increases the life of the bit itself – IRWIN's Impact Performance Series bits have three times longer life than traditional bits. Manufactured with heavy-duty, cold-forged, high-grade steel, they'll withstand extremely high torque output. Plus, a black oxide finish resists corrosion and increases the life of the bit.

IMPACT SCREWDRIVING BIT FEATURES

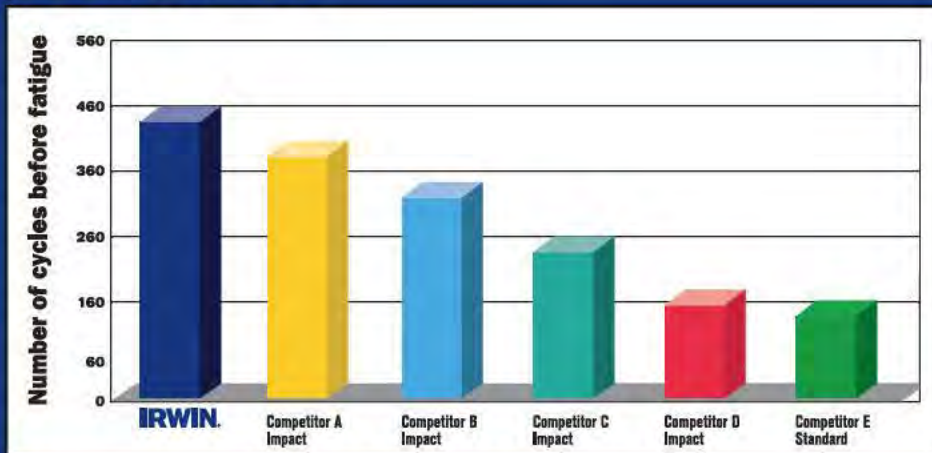
1. Built for maximum durability and long life with impact drivers.
2. Forged bit (vs. milled) for superior fitment, which reduces stripping and increases life of bit 3X.*
3. Manufactured with heavy-duty, cold-forged, high-grade steel to withstand high torque output.
4. Black oxide finish resists corrosion and increases life of bit.



3X
BIT LIFE**

IMPACT™ PERFORMANCE SERIES

Bit Life Comparison Chart*



*Based on average life performance of Phillips, Square and Torx Impact Performance Series™ bits



FASTENER DRIVE

*Square and Phillips bits only
**vs. standard screwdriver bits

Fastener Drive & Screwdriving

Impact Screwdriving Bits



Phillips® Bits

Phillips Impact Insert Bits



1837327

Point Size	Shank Diameter	Overall Length	Carded Item # (2-pc)	Carded Item # (5-pc)	Bagged Item # (10-pc)	PRO-PAK™ (20-pc)	Item #*	Bulk Item # (25-pc)**
Phillips Insert Bits								
#1	1/4"	1"	1837324	—	—	—	1838481 (25-pc)	1837325
#2	1/4"	1"	1837327	1837328	1837329	1837377	1838482 (25-pc)	1837330
#2	1/4"	1"	—	—	—	—	1838483 (100-pc)	—
#2	1/4"	1"	—	—	—	—	1838484 (250-pc)	—
#3	1/4"	1"	1837375	—	—	—	1838485 (25-pc)	1837376

Point Size	Shank Diameter	Overall Length	Carded Item # (1-pc)	Carded Item # (5-pc)	Bagged Item # (10-pc)	PRO-PAK™ (20-pc)	Item #*	Bulk Item # (25-pc)**
Phillips Drywall Insert Bits								
#2	1/4"	1"	1837371	1837372	1837373	1837378	—	1837374

Phillips Impact Power Bits



1837453

Point Size	Shank Diameter	Overall Length	Carded Item # (1-pc)	Carded Item # (2-pc)	Carded Item # (5-pc)	Item #*	Bulk Item # (10-pc)**
#1	1/4"	2"	—	1837435	—	—	1837436
#1	1/4"	3"	1837437	—	—	—	1837438
#1	1/4"	4"	1837439	—	—	—	1837440
#1	1/4"	6"	1837451	—	—	—	1837452
#2	1/4"	2"	—	1837453	1837454	1838486 (10-pc)	1837455
#2	1/4"	2"	—	—	—	1838487 (100-pc)	—
#2	1/4"	2"	—	—	—	1838488 (250-pc)	—
#2	1/4"	3"	1837456	—	—	1838489 (10-pc)	1837457
#2	1/4"	3"	—	—	—	1838490 (100-pc)	—
#2	1/4"	4"	1837458	—	—	—	1837459
#2	1/4"	6"	1837460	—	—	1838491 (10-pc)	1837461
#2	1/4"	6"	—	—	—	1838492 (100-pc)	—
#3	1/4"	2"	—	1837433	—	1838493 (10-pc)	1837434
#3	1/4"	2"	—	—	—	1838494 (100-pc)	—
#3	1/4"	3"	1837462	—	—	1838495 (10-pc)	1837463
#3	1/4"	4"	1837464	—	—	—	1837465
#3	1/4"	6"	1837466	—	—	—	1837467

FASTENER DRIVE



Square Recess Bits

Square Recess Impact Insert Bits



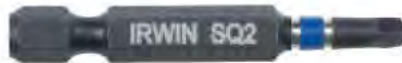
1837381

Point Size	Shank Diameter	Overall Length	Carded Item # (2-pc)	Carded Item # (5-pc)	Bagged Item # (10-pc)	PRO-PAK™ (20-pc)	Item #*	Bulk Item # (25-pc)**
#1	1/4"	1"	1837379	—	—	—	1838496 (25-pc)	1837380
#2	1/4"	1"	1837381	1837382	1837383	1837387	1838497 (25-pc)	1837384
#3	1/4"	1"	1837385	—	—	—	—	1837386

*One unit equals one bag of bits containing listed quantity of individual bits. For example, order one unit to receive one bag of 25 bits.

**One unit equals one individual bit. For example, order 25 units to receive one bag of 25 bits.

Square Recess Impact Power Bits



1837476

Point Size	Shank Diameter	Overall Length	Carded Item # (1-pc)	Carded Item # (2-pc)	Carded Item # (5-pc)	Item #*	Bulk Item # (10-pc)**
#1	1/4"	2"	—	1837468	—	—	1837469
#1	1/4"	3"	1837470	—	—	—	1837471
#1	1/4"	4"	1837472	—	—	—	1837473
#1	1/4"	6"	1837474	—	—	—	1837475
#2	1/4"	2"	—	1837476	1837478	1838498 (10-pc)	1837477
#2	1/4"	3"	1837479	—	—	—	1837480
#2	1/4"	4"	1837481	—	—	—	1837482
#2	1/4"	6"	1837483	—	—	—	1837484
#3	1/4"	2"	—	1837485	—	—	1837486
#3	1/4"	3"	1837487	—	—	—	1837488
#3	1/4"	4"	1837489	—	—	—	1837490
#3	1/4"	6"	1837491	—	—	—	1837492



TORX® Bits

TORX Impact Insert Bits



1837404

Point Size	Shank Diameter	Overall Length	Carded Item # (1-pc)	Carded Item # (5-pc)	Bagged Item # (10-pc)	Item #*	Bulk Item # (25-pc)**
T6	1/4"	1"	1837390	—	—	—	1837391
T7	1/4"	1"	1837392	—	—	—	1837393
T8	1/4"	1"	1837394	—	—	1838499 (25-pc)	1837395
T9	1/4"	1"	1837396	—	—	1838500 (25-pc)	1837397
T10	1/4"	1"	1837398	—	—	—	1837399
T15	1/4"	1"	1837400	—	—	1838501 (25-pc)	1837401
T20	1/4"	1"	1837402	—	—	1838502 (25-pc)	1837403
T20	1/4"	1"	—	—	—	1838503 (250-pc)	—
T25	1/4"	1"	1837404	1837406	1837407	1838504 (25-pc)	1837405
T25	1/4"	1"	—	—	—	1838505 (250-pc)	—
T27	1/4"	1"	1837408	—	—	1838506 (25-pc)	1837409
T30	1/4"	1"	1837410	—	—	1838507 (25-pc)	1837411
T30	1/4"	1"	—	—	—	1838508 (250-pc)	—
T40	1/4"	1"	1837412	—	—	1838509 (25-pc)	1837413
TORX Impact Insert Bit Sets							
T10 & T15	1/4"	1"	1837388	—	—	—	—
T20 & T25	1/4"	1"	1837389	—	—	—	—



Tamper-Resistant TORX Bits

TORX Tamper-Resistant Impact Insert Bits



1837425

Point Size	Shank Diameter	Overall Length	Carded Item # (1-pc)	Item #*	Bulk Item # (25-pc)**
T7	1/4"	1"	1837415	1838529 (25-pc)	—
T8	1/4"	1"	1837416	1838530 (25-pc)	—
T9	1/4"	1"	1837417	1838531 (25-pc)	1837418
T10	1/4"	1"	1837419	1838532 (25-pc)	1837420
T15	1/4"	1"	1837421	1838533 (25-pc)	1837422
T20	1/4"	1"	1837423	1838534 (25-pc)	1837424
T20	1/4"	1"	—	1838535 (100-pc)	—
T25	1/4"	1"	1837425	1838536 (25-pc)	1837426
T25	1/4"	1"	—	1838537 (100-pc)	—
T27	1/4"	1"	1837427	1838538 (25-pc)	1837428
T30	1/4"	1"	1837429	1838539 (25-pc)	1837430
T30	1/4"	1"	—	1838540 (100-pc)	—
T40	1/4"	1"	1837431	1838541 (25-pc)	—
TORX Tamper-Resistant Impact Insert Bit Sets					
T10, T15, T20, T25, T27 & T30	1/4"	1"	1837414	—	—

*One unit equals one bag of bits containing listed quantity of individual bits. For example, order one unit to receive one bag of 25 bits.

**One unit equals one individual bit. For example, order 25 units to receive one bag of 25 bits.

Fastener Drive & Screwdriving

Impact Screwdriving Bits and Socket Adapters



TORX Impact Power Bits



1837500

Point Size	Shank Diameter	Overall Length	Carded Item # (1-pc)	Carded Item # (5-pc)	Item #*	Bulk Item # (10-pc)**
T10	1/4"	2"	1837494	—	1838510 (10-pc)	1837495
T10	1/4"	6"	1837522	—	1838511 (10-pc)	1837523
T15	1/4"	2"	1837496	—	1838512 (10-pc)	1837497
T15	1/4"	2-3/4"	1837510	—	—	1837511
T15	1/4"	3-1/2"	1837516	—	1838513 (10-pc)	1837517
T15	1/4"	6"	1837524	—	1838514 (10-pc)	1837525
T20	1/4"	2"	1837498	—	1838515 (10-pc)	1837499
T20	1/4"	2"	—	—	1838516 (100-pc)	—
T20	1/4"	2-3/4"	1837512	—	1838517 (10-pc)	1837513
T20	1/4"	3-1/2"	1837518	—	1838518 (10-pc)	1837519
T20	1/4"	6"	1837526	—	1838519 (10-pc)	1837527
T25	1/4"	2"	1837500	1837501	1838520 (10-pc)	1837502
T25	1/4"	2"	—	—	1838521 (100-pc)	—
T25	1/4"	2-3/4"	1837514	—	1838522 (10-pc)	1837515
T25	1/4"	3-1/2"	1837520	—	1838523 (10-pc)	1837521
T25	1/4"	6"	1837528	—	1838524 (10-pc)	1837529
T27	1/4"	2"	1837503	—	1838525 (10-pc)	1837504
T27	1/4"	2-3/4"	1837622	—	—	1837623
T27	1/4"	3-1/2"	1837626	—	—	1837627
T27	1/4"	6"	1837630	—	—	1837631
T30	1/4"	2"	1837505	1837506	1838526 (10-pc)	1837507
T30	1/4"	2"	—	—	1838527 (100-pc)	—
T30	1/4"	2-3/4"	1837624	—	—	1837625
T30	1/4"	3-1/2"	1837628	—	—	1837629
T30	1/4"	6"	1837632	—	—	1837633
T40	1/4"	2"	1837508	—	1838528 (10-pc)	1837509
TORX Impact Power Bit Sets						
T15, T20 & T25	1/4"	2"	1837493	—	—	—

FASTENER DRIVE

Impact Socket Adapters



1837573

- Ball retention design for quick-change applications.
- Forged socket body

Square Drive	Lock Type	Overall Length	Carded Item # (1-pc)	Item # (5-pc)*	Bulk Item # (10-pc)**
1/4"	Ball	2"	1837571	1838557	1837574
3/8"	Ball	2"	1837572	1838558	1837575
1/2"	Ball	2"	1837573	1838559	1837576

— magnetic

*One unit equals one bag of bits containing listed quantity of individual bits. For example, order one unit to receive one bag of 25 bits.

**One unit equals one individual bit. For example, order 25 units to receive one bag of 25 bits.



Nutsetters



Lobular Design

IRWIN® Impact Performance Series™ lobular nutsetters are built for maximum durability, performance, and long life with impact tools. They are designed to drive the fastener from the side, rather than forcing the corners to turn, maintaining the true shape of the fastener and dramatically reducing breakage and damage from stripping. The lobular design also provides more clearance on the corners of the fastener where paint build-up often occurs. They are available with or without powerful rare earth magnets that hold fasteners securely in place. They have a black oxide finish that resists corrosion and increases the life of the nutsetter. Plus, with a 1/4" quick-change shank, they're designed to work with all types of impact and rotary drivers.

Impact Nutsetters - Lobular



1837533

Hex Drive	Socket Body Dia.	Shank Diameter	Overall Length	Carded Item # (1-pc)	Bagged Item # (3-pc)	Item # (5-pc)*	Bulk Item # (10-pc)**
1/4"	7/16"	1/4"	1-7/8"	1837533	1837534	1838542	1837535
5/16"	1/2"	1/4"	1-7/8"	1837536	1837537	1838544	1837538
3/8"	9/16"	1/4"	1-7/8"	1837539	1837540	1838543	1837541
7/16"	5/8"	1/4"	1-7/8"	1837542	1837543	-	1837544
1/4"	7/16"	1/4"	2-9/16"	1837545	1837964	1838547	1837546
5/16"	1/2"	1/4"	2-9/16"	1837547	1837548	1838549	1837549
3/8"	9/16"	1/4"	2-9/16"	1837550	1837551	1838548	1837552
7/16"	5/8"	1/4"	2-9/16"	1837553	1837554	1838550	1837555
1/4"	7/16"	1/4"	4"	1837556	-	1838551	1837557
5/16"	1/2"	1/4"	4"	1837558	-	1838553	1837559
3/8"	9/16"	1/4"	4"	1837560	-	1838552	1837561
1/4"	7/16"	1/4"	6"	1837562	-	1838554	1837563
5/16"	1/2"	1/4"	6"	1837564	-	1838556	1837565
3/8"	9/16"	1/4"	6"	1837566	-	1838555	1837567
1/4"	7/16"	1/4"	12"	1837568	-	-	-
5/16"	1/2"	1/4"	12"	1837569	-	1838545	-
3/8"	9/16"	1/4"	12"	1837570	-	-	-
Impact Nutsetter Sets							
1/4", 5/16", 3/8", 7/16"	1/4"	1-7/8"	1837530	-	-	-	-
1/4", 5/16", 3/8"	1/4"	1-7/8"	1837531	-	-	-	-
1/4", 5/16", 3/8"	1/4"	2-9/16"	1837532	-	-	-	-

FASTENER DRIVE

Impact Bit Holders



1837579

- C-ring design has internal clip that fits into the retaining ring notch of the insert bit to hold bit securely in place.
- Rare earth magnet holds fastener securely. Magnet is four times more powerful than standard magnets.

Type	Magnetic	Overall Length	Carded Item # (1-pc)	Item # (5-pc)*	Bulk Item # (10-pc)**
Standard with C-Ring	Yes	2-1/4"	1837577	1838560	1837578
Standard with C-Ring	Yes	3"	1837579	1838561	1837580

20-piece IRWIN® Impact PRO-PAK™



1837377

— magnetic

Contents	Quantity	PRO-PAK™ Item #
Insert Bit Impact #2 Phillips® X 1" DAL 2	20	1837377
Insert Bit Impact #2 Phillips-Drywall X 1" DAL	20	1837378
Insert Bit Impact #2 Square Recess X 1" DAL	20	1837387

*One unit equals one bag of bits containing listed quantity of individual bits. For example, order one unit to receive one bag of 25 bits.

**One unit equals one individual bit. For example, order 25 units to receive one bag of 25 bits.

Fastener Drive & Screwdriving

Impact Sets / Pro Sets

6-Piece Impact Quick-Change Set



1840313

Contents	Quantity	Item # 1840313
Impact Power Bit #1 Phillips® X 2" OAL	1	1837436
Impact Power Bit #2 Phillips X 2" OAL	2	1837455
Impact Power Bit #1 Square Recess X 2" OAL	1	1837469
Impact Power Bit #2 Square Recess X 2" OAL	1	1837477
1/4" Quick-Change Extension 2.5" OAL	1	4935703

14-Piece Impact Drive Guide Set



1840314

Contents	Quantity	Item # 1840314
Impact Insert Bit #1 Phillips X 1" OAL	2	1837325
Impact Insert Bit #2 Phillips X 1" OAL	4	1837330
Impact Insert Bit #1 Square Recess X 1" OAL	2	1837380
Impact Insert Bit #2 Square Recess X 1" OAL	4	1837384
Impact Bit Holder Magnetic with C-Ring X 2-1/4" OAL	1	1837578
Compact Magnetic Screw Guide - 3-1/16"	1	93551

Impact Pro Set Cases

IRWIN® professional fastener drive sets have convenient molded plastic cases that hold up anything the jobsite can throw at them.

FASTENER DRIVE

Pro Set Cases

FEATURES

1. Two-step easy in / out bit storage holds bits securely in place until ready for use.
2. Molded plastic case holds up to rigors of daily use.
3. Full-length metal pin in hinge for added durability and life.



33-Piece Impact Fastener Drive Set



1840315

Contents	Quantity	Item # 1840315
Impact Insert Bit #1 Phillips X 1" OAL	2	1837325
Impact Insert Bit #2 Phillips X 1" OAL	3	1837330
Impact Insert Bit #3 Phillips X 1" OAL	2	1837376
Impact Insert Bit #1 Square Recess X 1" OAL	2	1837380
Impact Insert Bit #2 Square Recess X 1" OAL	3	1837384
Impact Insert Bit #3 Square Recess X 1" OAL	2	1837386
Impact Insert Bit T10 X 1" OAL	1	1837398
Impact Insert Bit T15 X 1" OAL	1	1837401
Impact Insert Bit T20 X 1" OAL	1	1837403
Impact Insert Bit T25 X 1" OAL	1	1837405
Impact Insert Bit T27 X 1" OAL	1	1837409
Impact Insert Bit T30 X 1" OAL	1	1837411
Impact Insert Bit T40 X 1" OAL	1	1837412
Impact Power Bit #2 Phillips X 2" OAL	2	1837455
Impact Power Bit #2 Square Recess X 2" OAL	1	1837477
Impact Power Bit T20 X 2" OAL	1	1837499
Impact Power Bit T25 X 2" OAL	1	1837502
Impact Power Bit T30 X 2" OAL	1	1837507
Impact Nutsetter Lobular Magnetic 1/4" X 3" OAL	1	1837546
Impact Nutsetter Lobular Magnetic 5/16" X 3" OAL	1	1837549
Impact Nutsetter Lobular Magnetic 3/8" X 3" OAL	1	1837552
Compact Magnetic Screw Guide - 3-1/16"	1	93551
Impact Socket Adapter 1/4" To 3/8" X 2" OAL	1	1837575
Impact Bit Holder Magnetic with C-Ring X 2-1/4" OAL	1	1837578

19-Piece Impact Drill/Drive Set



1840316

Contents	Quantity	Item # 1840316
1/16" Hex Shank Drill Bit	1	4935632
3/32" Hex Shank Drill Bit	1	4935634
1/8" Hex Shank Drill Bit	2	4935636
5/32" Hex Shank Drill Bit	1	4935638
3/16" Hex Shank Drill Bit	1	4935639
1/4" Hex Shank Drill Bit	1	4935641
Impact Insert Bit #1 Phillips X 1" OAL	1	1837325
Impact Insert Bit #2 Phillips X 1" OAL	2	1837330
Impact Insert Bit #3 Phillips X 1" OAL	1	1837376
Impact Insert Bit #2 Square Recess X 1" OAL	1	1837380
Impact Insert Bit #2 Square Recess X 1" OAL	1	1837384
Impact Insert Bit #3 Square Recess X 1" OAL	1	1837386
Impact Bit Holder Magnetic with C-Ring X 3" OAL	1	1837580
Impact Nutsetter Lobular Magnetic 1/4" X 3" OAL	1	1837546
Impact Nutsetter Lobular Magnetic 5/16" X 3" OAL	1	1837549
Impact Nutsetter Lobular Magnetic 3/8" X 3" OAL	1	1837552
Compact Magnetic Screw Guide - 3-1/16"	1	93551

32-Piece Impact Fastener Drive Set



1840317

Contents	Quantity	Item # 1840317
Impact Insert Bit #1 Phillips X 1" OAL	2	1837325
Impact Insert Bit #2 Phillips X 1" OAL	3	1837330
Impact Insert Bit #3 Phillips X 1" OAL	2	1837376
Impact Insert Bit #1 Square Recess X 1" OAL	2	1837380
Impact Insert Bit #2 Square Recess X 1" OAL	3	1837384
Impact Insert Bit #3 Square Recess X 1" OAL	2	1837386
Impact Insert Bit T10 X 1" OAL	1	1837398
Impact Insert Bit T15 X 1" OAL	1	1837401
Impact Insert Bit T20 X 1" OAL	1	1837403
Impact Insert Bit T25 X 1" OAL	2	1837405
Impact Insert Bit T27 X 1" OAL	1	1837409
Impact Insert Bit T30 X 1" OAL	1	1837411
Impact Power Bit #1 Phillips X 2" OAL	1	1837436
Impact Power Bit #2 Phillips X 2" OAL	2	1837455
Impact Power Bit #3 Phillips X 2" OAL	1	1837477
Impact Power Bit #1 Square Recess X 2" OAL	1	1837469
Impact Power Bit #2 Square Recess X 2" OAL	1	1837477
Impact Power Bit #3 Square Recess X 2" OAL	1	1837486
Impact Power Bit T20 X 2" OAL	1	1837499
Impact Power Bit T25 X 2" OAL	1	1837502
Impact Power Bit T30 X 2" OAL	1	1837507
Impact Bit Holder Magnetic with C-Ring X 3" OAL	1	1837580

33-Piece Impact Drill/Drive Set



1840318

Contents	Quantity	Item # 1840318
1/16" Hex Shank Drill Bit	1	4935632
5/64" Hex Shank Drill Bit	1	4935633
3/32" Hex Shank Drill Bit	1	4935634
7/64" Hex Shank Drill Bit	1	4935635
1/8" Hex Shank Drill Bit	2	4935636
9/64" Hex Shank Drill Bit	1	4935637
5/32" Hex Shank Drill Bit	1	4935638
3/16" Hex Shank Drill Bit	1	4935639
7/32" Hex Shank Drill Bit	1	4935640
1/4" Hex Shank Drill Bit	1	4935641
Impact Insert Bit #1 Phillips X 1" OAL	2	1837325
Impact Insert Bit #2 Phillips X 1" OAL	3	1837330
Impact Insert Bit #3 Phillips X 1" OAL	2	1837376
Impact Insert Bit #1 Square Recess X 1" OAL	2	1837380
Impact Insert Bit #2 Square Recess X 1" OAL	3	1837384
Impact Insert Bit #3 Square Recess X 1" OAL	2	1837386
Impact Insert Bit T10 X 1" OAL	1	1837398
Impact Insert Bit T15 X 1" OAL	1	1837401
Impact Insert Bit T20 X 1" OAL	1	1837403
Impact Insert Bit T25 X 1" OAL	2	1837405
Impact Insert Bit T27 X 1" OAL	1	1837409
Impact Insert Bit T30 X 1" OAL	1	1837411
Impact Bit Holder Magnetic with C-Ring X 3" OAL	1	1837580

32-Piece Impact Drill/Drive Set



1840319

Contents	Quantity	Item # 1840319
1/16" Hex Shank Drill Bit	1	4935632
5/64" Hex Shank Drill Bit	1	4935633
3/32" Hex Shank Drill Bit	1	4935634
7/64" Hex Shank Drill Bit	1	4935635
1/8" Hex Shank Drill Bit	2	4935636
9/64" Hex Shank Drill Bit	1	4935637
5/32" Hex Shank Drill Bit	1	4935638
3/16" Hex Shank Drill Bit	1	4935639
7/32" Hex Shank Drill Bit	1	4935640
1/4" Hex Shank Drill Bit	1	4935641
Impact Insert Bit #2 Phillips X 1" OAL 20/Tic Tac	1	1837377
1/4" Quick-Change Extension 2.5" OAL	1	4935703

47-Piece Impact Screwdriver Bit Set



1840392

Contents	Quantity	Item # 1840392
Impact Insert Bit #1 Phillips X 1" OAL	3	1837325
Impact Insert Bit #2 Phillips X 1" OAL	7	1837330
Impact Insert Bit #3 Phillips X 1" OAL	4	1837376
Impact Insert Bit #2 Square Recess X 1" OAL	3	1837380
Impact Insert Bit #2 Square Recess X 1" OAL	7	1837384
Impact Insert Bit #3 Square Recess X 1" OAL	4	1837386
Impact Insert Bit T15 X 1" OAL	1	1837401
Impact Insert Bit T20 X 1" OAL	1	1837403
Impact Insert Bit T25 X 1" OAL	3	1837405
Impact Insert Bit T27 X 1" OAL	1	1837409
Impact Insert Bit T30 X 1" OAL	1	1837411
Impact Power Bit #2 Phillips X 2" OAL	4	1837455
Impact Power Bit #2 Square Recess X 2" OAL	2	1837477
Impact Power Bit T20 X 2" OAL	1	1837499
Impact Power Bit T25 X 2" OAL	1	1837502
Compact Magnetic Screw Guide - 3-1/16"	1	93551
Impact Nutsetter Lobular Magnetic 1/4" X 2-9/16" OAL	1	1837546
Impact Nutsetter Lobular Magnetic 5/16" X 2-9/16" OAL	1	1837549
Impact Nutsetter Lobular Magnetic 3/8" X 2-9/16" OAL	1	1837552

26-Piece Impact Screwdriver Bit Set



1840393

Contents	Quantity	Item # 1840393
Impact Insert Bit #2 Phillips X 1" OAL	4	1837330
Impact Insert Bit #2 Square Recess X 1" OAL	3	1837384
Impact Power Bit #1 Phillips X 2" OAL	1	1837436
Impact Power Bit #2 Phillips X 2" OAL	2	1837455
Impact Power Bit #3 Phillips X 2" OAL	1	1837477
Impact Power Bit #2 Square Recess X 2" OAL	1	1837469
Impact Power Bit #2 Square Recess X 2" OAL	3	1837477
Impact Power Bit #3 Square Recess X 2" OAL	1	1837486
Impact Power Bit #2 Phillips X 4" OAL	1	1837459
Impact Power Bit #2 Square Recess X 4" OAL	1	1837482
Impact Power Bit T20 X 2" OAL	1	1837499
Impact Power Bit T25 X 2" OAL	1	1837502
Impact Power Bit T30 X 2" OAL	1	1837507
Compact Magnetic Screw Guide - 3-1/16"	1	93551
Impact Nutsetter Lobular Magnetic 1/4" X 2-9/16" OAL	1	1837546
Impact Nutsetter Lobular Magnetic 5/16" X 2-9/16" OAL	1	1837549
Impact Nutsetter Lobular Magnetic 3/8" X 2-9/16" OAL	1	1837552
1/4" Quick-Change Extension 2.5" OAL	1	4935703

FASTENER DRIVE

16-Piece Impact Automotive Set



1840320

Contents	Quantity	Item # 1840320
Impact Power Bit #1 Phillips X 6" OAL	1	1837452
Impact Power Bit #2 Phillips X 3" OAL	1	1837457
Impact Power Bit #2 Phillips X 6" OAL	1	1837461
Impact Power Bit #3 Phillips X 3" OAL	1	1837463
Impact Power Bit T15 X 3" OAL	1	1837511
Impact Power Bit T20 X 3" OAL	1	1837513
Impact Power Bit T20 X 6" OAL	1	1837527
Impact Power Bit T25 X 6" OAL	1	1837529
Impact Power Bit T27 X 3" OAL	1	1837623
Impact Power Bit T27 X 6" OAL	1	1837631
Impact Power Bit T30 X 6" OAL	1	1837633
Impact Nutsetter Lobular Magnetic 5/16" X 2" OAL	1	1837538
Impact Socket Adapter 1/4" To 1/4" X 3" OAL	1	1837574
Impact Socket Adapter 1/4" To 3/8" X 2" OAL	1	1837575
1/4" Impact Extension 2.5" OAL	1	1857571
1/4" Impact Extension 6" OAL	1	1857572

34-Piece Impact Automotive Set



1840391

Contents	Quantity	Item # 1840391
Impact Power Bit #1 Phillips X 2" OAL	1	1837436
Impact Power Bit #2 Phillips X 2" OAL	1	1837455
Impact Power Bit #3 Phillips X 2" OAL	1	1837434
Impact Power Bit T10 X 2" OAL	1	1837495
Impact Power Bit T15 X 2" OAL	1	1837497
Impact Power Bit T20 X 2" OAL	1	1837499
Impact Power Bit T27 X 2" OAL	1	1837504
Impact Power Bit T30 X 2" OAL	1	1837502
Impact Power Bit T40 X 2" OAL	1	1837507
Impact Power Bit #1 Phillips X 3" OAL	1	1837438
Impact Power Bit #2 Phillips X 3" OAL	1	1837457
Impact Power Bit #3 Phillips X 3" OAL	1	1837463
Impact Power Bit T15 X 3-1/2" OAL	1	1837517
Impact Power Bit T20 X 3-1/2" OAL	1	1837519
Impact Power Bit T25 X 3-1/2" OAL	1	1837521
Impact Power Bit T27 X 3-1/2" OAL	1	1837627
Impact Power Bit T30 X 3-1/2" OAL	1	1837629
Impact Power Bit #1 Phillips X 6" OAL	1	1837452
Impact Power Bit #2 Phillips X 6" OAL	1	1837461
Impact Power Bit #3 Phillips X 6" OAL	1	1837467
Impact Power Bit T15 X 6" OAL	1	1837525
Impact Power Bit T20 X 6" OAL	1	1837527
Impact Power Bit T25 X 6" OAL	1	1837529
Impact Power Bit T27 X 6" OAL	2	1837631
Impact Power Bit T30 X 6" OAL	1	1837633
Impact Socket Adapter 1/4" To 1/4" X 3" OAL	1	1837574
Impact Socket Adapter 1/4" To 3/8" X 2" OAL	1	1837575
Impact Socket Adapter 1/4" To 1/2" X 2" OAL	1	1837576
Impact Nutsetter Lobular Magnetic 1/4" X 2" OAL	1	1837535
Impact Nutsetter Lobular Magnetic 5/16" X 2" OAL	1	1837538
Impact Nutsetter Lobular Magnetic 3/8" X 2" OAL	1	1837541
1/4" Impact Extension 2.5" OAL	1	1857571
1/4" Impact Extension 6" OAL	1	1857572

FASTENER DRIVE

Screwdriving Bits

IRWIN® offers a full line of screwdriving bits designed for just about any application imaginable. All are manufactured with industrial-grade S2 steel for maximum life and durability.



Phillips® Bits

Phillips Insert Bits



92011

Point Size	Shank Diameter	Overall Length	Carded Item #	Bagged Item #	PRO-PAK™ (20-pc)	Bulk Item # (25-pc)
#0	1/4"	1"	3053008 (2-pc)	—	—	92001
#1	1/4"	1"	3510052C (2-pc)	—	—	92005
#1	1/4"	1-1/2"	—	—	—	92025
#1	5/16"	1-1/4"	—	—	—	92073
#2	1/4"	1"	3510112C (2-pc)	3510115B (5-pc)	357320	92011
#2	1/4"	1"	3510115C (5-pc)	351011XB (10-pc)	—	—
#2	1/4"	1"	351011XC (10-pc)	35101125 (25-pc)	—	—
#2	1/4"	1-1/2"	—	—	—	92027
#2	5/16"	1-1/4"	—	—	—	92075ZR
#2	1/4"	2"	—	—	—	92039
#2	1/4"	2-1/2"	—	—	—	92045
#3	1/4"	1"	3510192C (2-pc)	—	—	92019
#3	1/4"	1-1/2"	—	—	—	92035
#3	5/16"	1-1/4"	—	—	—	92077
#4	5/16"	1-1/4"	—	—	—	92079ZR

Phillips Drywall Insert Bits



92047

Point Size	Shank Diameter	Overall Length	Carded Item #	Bagged Item #	PRO-PAK™ (20-pc)	Bulk Item # (25-pc)
#1	1/4"	1"	—	—	—	92007
#2	1/4"	1"	3510472C (2-pc)	351047XB (10-pc)	357120	92047
#2	1/4"	1"	3510475C (5-pc)	35104725 (25-pc)	—	—
#2	1/4"	1"	351047XC (10-pc)	—	—	—
#2	1/4"	2"	—	—	—	92053

Phillips Drywall Screwsetter



351064

Point Size	Shank Diameter	Overall Length	Carded Item # (1-pc)	Bagged Item # (3-pc)	Bulk Item # (25-pc)
#2	1/4"	1"	3510641C	3510643B	351064

Phillips Power Bits



93007

Point Size	Shank Diameter	Overall Length	Carded Item # (1-pc)	Carded Item # (2-pc)	Carded Item # (3-pc)	Bagged Item # (5-pc)	Bulk Item # (10-pc)
#1	1/4"	2"	3520031C	3052007	—	—	93003ZR
#1	1/4"	2-3/4"	—	—	—	—	93017
#1	1/4"	3"	—	—	—	—	93043
#1	1/4"	3-1/2"	3520231C	—	—	—	93023
#1	1/4"	4"	—	—	—	—	93053
#1	1/4"	6"	—	—	—	—	93063
#2	1/4"	2"	3520071C	—	3520075C	3520075B	93007ZR
#2	1/4"	2-3/4"	—	3052009	—	—	93019
#2	1/4"	3"	—	—	—	—	93047
#2	1/4"	3-1/2"	3520251C	—	—	—	93025
#2	1/4"	4"	—	—	—	—	93057
#2	1/4"	6"	3520671C	—	—	—	93067
#3	1/4"	1-15/16"	3520111C	—	—	—	93011
#3	1/4"	2-3/4"	—	—	—	—	93021
#3	1/4"	3"	—	—	—	—	93049
#3	1/4"	3-1/2"	3520291C	—	—	—	93029
#3	1/4"	4"	—	—	—	—	93059
#3	1/4"	6"	3520691C	—	—	—	93069
Power Bit Sets							
#1, #2, & #3/4"		2"					3521993C

FASTENER DRIVE



Square Recess Bits

Square Recess Insert Bits



92205

Point Size	Shank Diameter	Overall Length	Carded Item # (2-pc)	Bagged Item # (5-pc)	Bagged Item # (10-pc)	Bagged Item # (25-pc)	PRO-PAK™ (20-pc)	Bulk Item # (25-pc)
#0	1/4"	1"	—	3052007	—	—	—	92201
#1	1/4"	1"	3512032C	—	—	—	—	92203
#2	1/4"	1"	3512052C	3512055B	351205XB	35120525	357220	92205
#3	1/4"	1"	3512072C	—	—	—	—	92207

Square Recess 2-Piece Design Insert Bits



92225

- Cold-forged tip for added durability.

Point Size	Shank Diameter	Overall Length	Carded Item # (2-pc)	PRO-PAK™ (20-pc)	Bulk Item # (25-pc)
#0	1/4"	1"	—	—	92221
#1	1/4"	1"	3512232C	—	92223
#2	1/4"	1"	3512252C	357220C	92225
#3	1/4"	1"	3512272C	—	92227

Square Recess Power Bits



93205

Point Size	Shank Diameter	Overall Length	Carded Item # (1-pc)	Carded Item # (5-pc)	Bulk Item # (10-pc)
#1	1/4"	2"	3522031C	—	93203
#1	1/4"	2-3/4"	—	—	93211
#1	1/4"	3"	93219C	—	93219
#1	1/4"	4"	—	—	93225
#1	1/4"	6"	—	—	93230ZR
#2	1/4"	2"	3522051C	3522055C	93205
#2	1/4"	2-3/4"	—	—	93213
#2	1/4"	3"	93221C	—	93221
#2	1/4"	4"	—	—	93226
#2	1/4"	6"	3522311C	—	93231
#3	1/4"	2"	3522071C	—	93207
#3	1/4"	2-3/4"	—	—	93215
#3	1/4"	3"	4935199	—	93223
#3	1/4"	4"	—	—	93227
#3	1/4"	6"	—	—	93232

FASTENER DRIVE

Fastener Drive & Screwdriving

Screwdriving Bits

Square Recess 2-Piece Design Power Bits



93239

- Cold-forged tip for added durability.

Point Size	Shank Diameter	Overall Length	Carded Item # (1-pc)	Carded Item # (5-pc)	Bulk Item # (10-pc)
#0	1/4"	1-15/16"	—	—	93235
#1	1/4"	1-15/16"	—	—	93237
#1	1/4"	2-3/4"	—	—	93245
#1	1/4"	3"	—	—	93253
#1	1/4"	6"	—	—	93263
#2	1/4"	1-15/16"	3522391C	3522395C	93239
#2	1/4"	2-3/4"	—	—	93247
#2	1/4"	3"	—	—	93255
#2	1/4"	6"	—	—	93265
#3	1/4"	1-15/16"	—	—	93241
#3	1/4"	2-3/4"	—	—	93249
#3	1/4"	3"	—	—	93257
#3	1/4"	6"	—	—	93267
Power Bit Set					
#1, #2 & #3	1/4"	1-15/16"	3522993C	—	—



Slotted Bits

Slotted Insert Bits



92047

- Used for common round-head, oval-head and flat-head fasteners.

Point Size	Shank Diameter	Overall Length	Carded Item # (1-pc)	Carded Item # (2-pc)	Bulk Item #
3-4	1/4"	1"	3511051C	—	92105 (25-pc)
3-4	5/16"	1-1/2"	—	—	92163 (10-pc)
4-5	1/4"	1-1/2"	—	—	92135 (10-pc)
4-5	5/16"	1-1/2"	—	—	92165 (10-pc)
6-8	1/4"	1"	3511111C	3511112C	92111 (25-pc)
6-8	1/4"	1-1/2"	—	—	92139 (10-pc)
6-8	5/16"	1-1/2"	—	—	92169 (10-pc)
8-10	1/4"	1"	3511131C	3511132C	92113 (25-pc)
8-10	1/4"	1-1/2"	—	—	92141 (10-pc)
8-10	5/16"	1-1/2"	—	—	92171 (10-pc)
10-12	1/4"	1"	3511151C	3511152C	92115 (25-pc)
10-12	1/4"	1-1/2"	—	—	92143 (10-pc)
10-12	5/16"	1-1/2"	—	—	92173 (10-pc)
12-14	1/4"	1"	—	—	92117 (25-pc)
12-14	1/4"	1-1/2"	—	—	92145ZR (10-pc)
12-14	5/16"	1-1/2"	—	—	92175 (10-pc)
14-16	1/4"	1"	—	—	92119 (25-pc)
14-16	1/4"	1-1/2"	—	—	92147 (10-pc)
14-16	5/16"	1-1/2"	—	—	92177ZR (10-pc)

Slotted Power Bits with Finder



93193

- Assists in keeping power bit engaged with fastener.

Point Size	Shank Diameter	Overall Length	Bulk Item # (10-pc)
4-5	1/4"	3-3/4"	93186
5-6	1/4"	2-5/32"	93191
5-6	1/4"	3-3/4"	93187
6-8	1/4"	2-5/32"	93193
6-8	1/4"	3-3/4"	93188
8-10	1/4"	3-3/4"	93189
10-12	1/4"	2-5/32"	93195

FASTENER DRIVE

Slotted Power Bits



93111

Point Size	Shank Diameter	Overall Length	Carded Item # (1-pc)	Bulk Item # (10-pc)
3-4	1/4"	2"	—	93103
3-4	1/4"	2-3/4"	—	93123
3-4	1/4"	3"	—	93139
3-4	1/4"	3-1/2"	—	93155
3-4	1/4"	6"	—	93173
4-5	1/4"	2"	—	93105ZR
4-5	1/4"	2-3/4"	—	93125
4-5	1/4"	3"	—	93141
4-5	1/4"	3-1/2"	—	93157
4-5	1/4"	6"	—	93175
5-6	1/4"	2"	3052010	93107
5-6	1/4"	2-3/4"	—	93127
5-6	1/4"	3"	—	93143
5-6	1/4"	3-1/2"	—	93159
5-6	1/4"	6"	—	93177
6-8	1/4"	2"	3521091C	93109
6-8	1/4"	2-3/4"	—	93129
6-8	1/4"	3"	—	93145
6-8	1/4"	3-1/2"	—	93161
6-8	1/4"	6"	—	93179
8-10	1/4"	2"	3521111C	93111
8-10	1/4"	2-3/4"	—	93131
8-10	1/4"	3"	—	93147
8-10	1/4"	3-1/2"	—	93163
8-10	1/4"	6"	—	93181
10-12	1/4"	2"	3521131C	93113ZR
10-12	1/4"	2-3/4"	—	93133
10-12	1/4"	3"	—	93149
10-12	1/4"	3-1/2"	—	93165
10-12	1/4"	6"	—	93183
12-14	1/4"	2"	—	93115
12-14	1/4"	2-3/4"	—	93135
12-14	1/4"	3"	—	93151
12-14	1/4"	3-1/2"	—	93167
12-14	1/4"	6"	—	93185
Power Bit Set				
4-5, 6-8 & 8-10	1/4"	2"		3523993C

FASTENER DRIVE



TORX® Bits

TORX Insert Bits



3522993C

Point Size	Shank Diameter	Overall Length	Carded Item # (1-pc)	Carded Item # (2-pc)	Carded Item # (10-pc)	Bulk Item # (10-pc)
T6	1/4"	1"	3053009	—	—	92306
T7	1/4"	1"	3513091C	—	—	92309
T8	1/4"	1"	3513121C	—	—	92312
T9	1/4"	1"	3513151C	—	—	92315
T10	1/4"	1"	3513181C	—	—	92318
T15	1/4"	1"	3513211C	—	—	92321
T20	1/4"	1"	3513241C	—	—	92324
T25	1/4"	1"	3513271C	—	351327XC	92327
T27	1/4"	1"	3513301C	—	—	92330
T30	1/4"	1"	3513331C	—	—	92333
T40	1/4"	1"	3513361C	—	—	92336
T30	5/16"	1-1/4"	—	—	—	92361
T40	5/16"	1-1/4"	—	—	—	92365
T45	5/16"	1-1/4"	—	—	—	92369
T50	5/16"	1-1/4"	—	—	—	92377
T55	5/16"	1-1/4"	—	—	—	92381
Insert Bit Sets						
T10 & T15	1/4"	1"	—	3514962C	—	—
T20 & T25	1/4"	1"	—	3514972C	—	—

FASTENER DRIVE



TORX Tamper-Resistant Bits

TORX Tamper-Resistant Insert Bits



92335

Point Size	Shank Diameter	Overall Length	Carded Item # (1-pc)	Carded Item # (6-pc)	Bulk Item #
T7	1/4"	1"	3053019	—	—
T8	1/4"	1"	3053021	—	—
T9	1/4"	1"	3053022	—	92317 (10-pc)
T10	1/4"	1"	3053023	—	92320 (10-pc)
T15	1/4"	1"	3053024	—	92323 (10-pc)
T20	1/4"	1"	3053025	—	92326 (10-pc)
T25	1/4"	1"	3053026	—	92329 (10-pc)
T27	1/4"	1"	3053027	—	92332 (10-pc)
T30	1/4"	1"	3053028	—	92335 (10-pc)
T40	1/4"	1"	3053029	—	92338 (10-pc)
T45	5/16"	1-1/4"	3053058	—	92371 (5-pc)
T50	5/16"	1-1/4"	3053059	—	92379 (5-pc)
T55	5/16"	1-1/4"	3043060	—	92383 (5-pc)
Insert Bit Set					
T10, T15, T20, T25, T27 & T30	1/4"	1"	—	3514996C	—



TORX® Bits

TORX Power Bits



93336

Point Size	Shank Diameter	Overall Length	Carded Item # (1-pc)	Carded Item # (3-pc)	Bulk Item # (5-pc)
T6	1/4"	2"	—	—	93306
T7	1/4"	2"	—	—	93309
T7	1/4"	2-3/4"	—	—	93337
T7	1/4"	3-1/2"	—	—	93356
T8	1/4"	2"	—	—	93312
T8	1/4"	2-3/4"	—	—	93339
T8	1/4"	3-1/2"	—	—	93357
T8	1/4"	6"	—	—	93366
T9	1/4"	2"	—	—	93315
T9	1/4"	2-3/4"	—	—	93340
T9	1/4"	3-1/2"	—	—	93358
T10	1/4"	2"	3523181C	—	93318
T10	1/4"	2-3/4"	—	—	93341
T10	1/4"	3-1/2"	—	—	93359
T10	1/4"	6"	3052018	—	93367
T15	1/4"	2"	3523211C	—	93321
T15	1/4"	2-3/4"	3052012	—	93342
T15	1/4"	3-1/2"	3052015	—	93360
T15	1/4"	6"	3052019	—	93368
T20	1/4"	2"	3523241C	—	93324
T20	1/4"	2-3/4"	3052013	—	93343
T20	1/4"	3-1/2"	3052016	—	93361
T20	1/4"	6"	3052020	—	93369
T25	1/4"	2"	3523271C	—	93327
T25	1/4"	2-3/4"	3052014	—	93344
T25	1/4"	3-1/2"	3052017	—	93362
T25	1/4"	6"	3052021	—	93370
T27	1/4"	2"	3523301C	—	93330
T27	1/4"	2-3/4"	—	—	93345
T27	1/4"	3-1/2"	—	—	93363
T27	1/4"	6"	—	—	93371
T30	1/4"	2"	3523331C	—	93333
T30	1/4"	2-3/4"	—	—	93346
T30	1/4"	3-1/2"	—	—	93364
T30	1/4"	6"	—	—	93372
T40	1/4"	2"	3052011	—	93336
T40	1/4"	2-3/4"	—	—	93347
T40	1/4"	3-1/2"	—	—	93365
T40	1/4"	6"	—	—	93373
Power Bit Set					
T15, T20 & T25	1/4"	1-15/16"	—	3524993C	

FASTENER DRIVE

Fastener Drive & Screwdriving

Screwdriving Bits



POZIDRIV® Bits

POZIDRIV Insert Bits



92085

Point Size	Shank Diameter	Overall Length	Carded Item # (1-pc)	Bulk Item # (25-pc)
#1	1/4"	1"	3510831C	92083
#2	1/4"	1"	3510851C	92085
#3	1/4"	1"	3510871C	92087

POZIDRIV Power Bits



93079

Point Size	Shank Diameter	Overall Length	Carded Item # (1-pc)	Bulk Item # (10-pc)
#1	1/4"	2"		93073
#1	1/4"	3-1/2"	3052022	93036
#1	1/4"	6"	—	93039
#2	1/4"	2"	—	93077
#2	1/4"	3-1/2"	3052023	93037
#2	1/4"	6"	—	93040
#3	1/4"	2"	—	93079
#3	1/4"	3-1/2"	3052024	93038
#3	1/4"	6"		93041

FASTENER DRIVE



TORQ-SET® Bits

TORQ-SET Insert Bits



92238

Point Size	Shank Diameter	Overall Length	Carded Item # (2-pc)	Bulk Item # (5-pc)
#0	1/4"	1"	3053037	92230
#1	1/4"	1"	3053038	92231
#2	1/4"	1"	3053039	92232
#3	1/4"	1"	3053040	92233
#4	1/4"	1"	3053041	92234
#5	1/4"	1"	3053042	92235
#6	1/4"	1"	3053043	92236
#8	1/4"	1"	3053044	92238
#10	1/4"	1"	3053045	92240

TORQ-SET Power Bits



93438

Point Size	Shank Diameter	Overall Length	Carded Item # (2-pc)	Bulk Item # (5-pc)
#0	1/4"	1-1/4"	3052025	93430
#1	1/4"	1-1/4"	3052026	93431
#2	1/4"	1-1/4"	3052027	93432
#3	1/4"	1-1/4"	3052028	93433
#4	1/4"	1-1/4"	3052029	93434
#5	1/4"	1-1/4"	3052030	93435
#6	1/4"	1-1/4"	3052031	93436
#8	1/4"	1-1/4"	3052032	93438
#10	1/4"	1-1/4"	3052033	93439



Hex Head Bits

Hex Head Metric Insert Bits



92531

Point Size	Shank Diameter	Overall Length	Bulk Item # (10-pc)
2 mm	1/4"	1-1/4"	92507
3 mm	1/4"	1-1/4"	92509
3 mm	5/16"	1-1/4"	92525
4 mm	1/4"	1-1/4"	92511
4 mm	5/16"	1-1/4"	92527
5 mm	1/4"	1-1/4"	92513
5 mm	5/16"	1-1/4"	92529
6 mm	1/4"	1-1/4"	92515
6 mm	5/16"	1-1/4"	92531
8 mm	1/4"	1-1/4"	92517
8 mm	5/16"	1-1/4"	92533

Hex Head Fractional Insert Bits



92495

Point Size	Shank Diameter	Overall Length	Carded Item # (1-pc)	Bulk Item # (10-pc)
.050"	1/4"	1-1/4"	—	92407
1/16"	1/4"	1-1/4"	—	92403
5/64"	1/4"	1-1/4"	3053010	92411
3/32"	1/4"	1-1/4"	3053011	92415
7/64"	1/4"	1-1/4"	3053012	92419
1/8"	1/4"	1-1/4"	3053013	92423
9/64"	1/4"	1-1/4"	3053014	92427
5/32"	1/4"	1-1/4"	3053015	92431
5/32"	5/16"	1-1/4"	—	92489
3/16"	1/4"	1-1/4"	3053016	92437
3/16"	5/16"	1-1/4"	—	92491
7/32"	1/4"	1-1/4"	3053017	92443
7/32"	5/16"	1-1/4"	—	92493
1/4"	1/4"	1-1/4"	3053018	92451
1/4"	5/16"	1-1/4"	—	92495
5/16"	1/4"	1-1/4"	—	92467
5/16"	5/16"	1-1/4"	—	92497
3/8"	1/4"	1-1/4"	—	92483
3/8"	5/16"	1-1/4"	—	92499

Insert Bit Set

3/32", 7/64", 1/8", 9/64", 5/32", 3/16" & 7/32"	1/4"	1-1/4"	3515997C (7-pc)
---	------	--------	-----------------

Hex Head Power Bits



93411

Point Size	Shank Diameter	Overall Length	Bulk Item # (10-pc)
1/16"	1/4"	1-15/16"	93403
5/64"	1/4"	1-15/16"	93405
3/32"	1/4"	1-15/16"	93407
7/64"	1/4"	1-15/16"	93409
1/8"	1/4"	1-15/16"	93411
9/64"	1/4"	1-15/16"	93413
5/32"	1/4"	1-15/16"	93415
3/16"	1/4"	1-15/16"	93419
7/32"	1/4"	1-15/16"	93423
1/4"	1/4"	1-15/16"	93427

FASTENER DRIVE

Frearson Bits

Frearson Insert Bits



92595

Shank Diameter	Overall Length	Bulk Item # (10-pc)
1/4"	1"	92595

Frearson Power Bits



93481

Shank Diameter	Overall Length	Bulk Item # (10-pc)
1/4"	2"	93481

Type A Clutch Insert Bits



92545

Point Size	Shank Diameter	Overall Length	Carded Item # (1-pc)	Bulk Item # (10-pc)
5/32"	1/4"	1"	3053047	92545
3/16"	1/4"	1"	3053048	92549

Type G Clutch Bits

Type G Clutch Insert Bits



92543

Point Size	Shank Diameter	Overall Length	Carded Item # (1-pc)	Bulk Item # (10-pc)
1/8"	1/4"	1"	3053049	92543
5/32"	1/4"	1"	3053050	92547
3/16"	1/4"	1"	3053051	92551

Type G Clutch Power Bits



93467

Point Size	Shank Diameter	Overall Length	Carded Item # (1-pc)	Bulk Item # (5-pc)
1/8"	1/4"	1-15/16"	3052034	93463
5/32"	1/4"	1-15/16"	3052035	93467
3/16"	1/4"	1-15/16"	3052036	93471
5/32"	1/4"	2-3/4"	3052037	93475

TRI-WING® Insert Bits



92536

Point Size	Shank Diameter	Overall Length	Carded Item # (2-pc)	Bulk Item # (5-pc)
#1	1/4"	1"	3053030	92535
#2	1/4"	1"	3053031	92536
#3	1/4"	1"	3053032	92537
#4	1/4"	1"	3053033	92538
#5	1/4"	1"	3053034	92539
#6	1/4"	1-1/4"	3053035	92540
#7	1/4"	1-1/4"	3053036	92599

FASTENER DRIVE



Spanner Insert Bits



92567

Point Size	Shank Diameter	Overall Length	Carded Item # (1-pc)	Bulk Item # (10-pc)
#4	1/4"	1"	3053052	92563
#6	1/4"	1"	3053053	92565
#8	1/4"	1"	3053054	92567
#10	1/4"	1"	3053055	92569
#12	1/4"	1"	3053056	92571
#14	1/4"	1"	3053057	92573

Double-End Bits*



93525

- Two screwdriver bits combined in a durable one-piece design for added convenience and versatility.

Point Size	Shank Diameter	Overall Length	Carded Item # (2-pc)	Bagged Item # (5-pc)	Bagged Item # (3-pc)	Bulk Item # (10-pc)
#1 Phillips®/6-8 Slotted	1/4"	1-1/2"	3054001	—	—	93503
#2 Phillips/8-10 Slotted	1/4"	1-1/2"	3535092C	3535095B	—	93509
#3 Phillips/10-12 Slotted	1/4"	1-1/2"	3054002	—	—	93515ZR
#1 Phillips/6-8 Slotted	1/4"	2-3/8"	—	—	—	93521
#2 Phillips/8-10 Slotted	1/4"	2-3/8"	3535252C	3535255B	—	93525
#2 Phillips/#2 Phillips	1/4"	2-3/8"	3532022C	3532025B	—	353202
#3 Phillips/10-12 Slotted	1/4"	2-3/8"	—	—	—	353201
#2 Sq Recess/#2 Sq Recess	1/4"	2-3/8"	—	3532035B	—	353203
#2 Phillips/8-10 Slotted	1/4"	3-1/2"	3533012C	—	—	—
Double End Bit Set						
#1 Phillips/6-8 Slotted, #2 Phillips/8-10 Slotted & #3 Phillips/10-12 Slotted	1/4"	2-3/8"	—	—	3532993C	—

* DO NOT place double-end bits in bit holding screwdrivers, power bit holders, or quick-change chuck adapters. The retaining ring in the bit holder is designed for insert bits only.

Ceiling Tile Hanger Bits



93543

- Unique shape allows for faster driving of eye hooks from which ceiling grids are hung.

Description	Overall Length	Bulk Item # (25-pc)
1/4" Ceiling Tile Hanger Bit	3"	93543
5/16" Ceiling Tile Hanger Bit	3"	93545

FASTENER DRIVE

Screw Guides – Retracting Sleeves



93551

- Engineered for use with long fasteners and/or hard-to-reach applications. Screw-guide sleeve retracts as the fastener is driven into the workpiece.
- Reduces slipping and wobbling of fasteners.
- Rare earth magnet holds fastener securely. Magnet is four times more powerful than standard magnets.

Hex Drive	Shank Diameter	Retracted Length	Extended Length	Carded Item # (1-pc)	Bulk Item # (5-pc)
Compact	1/4"	3-1/16"	4-11/16"	3555511C	93551
Standard	1/4"	4-11/16"	7-3/8"	3555531C	93553

Insert Bit Holders

IRWIN® offers an extensive selection of insert bit holders for use with socket wrenches or adapters. Some types are available with a c-ring design that holds bits securely in place. Others hold bits with powerful rare earth magnets. IRWIN's bit holders are offered in a variety of shank sizes and types including 1/4" hex shanks, 7/16" hex shanks, and square.

Features

- C-ring design has internal clip that fits into the retaining ring notch of the insert bit to hold bit securely in place.*
- Rare earth magnet holds fastener securely. Magnet is four times more powerful than standard magnets.**

1/4" Hex Shank Bit Holders



93718

Point Size	Overall Length	Carded Item # (1-pc)	Bagged Item # (3-pc)	Bulk Item # (10-pc)
Standard with C-Ring	2-1/4"	—	—	93711
Standard with C-Ring	2-1/4"	3557121C	3557123B	93712
No C-Ring	2-1/4"	—	—	93714
Knurled	3"	3056002	—	93715
Standard with C-Ring	3"	—	—	93717
Standard with C-Ring	3"	3557181C	3557183B	93718
Turned	3"	—	—	93720
Turned	3"	—	—	93721
No C-Ring	3"	—	—	93722
Standard with C-Ring	4"	—	—	93728
Standard with C-Ring	6"	—	—	93730
Standard with C-Ring	8"	—	—	93732
Standard with C-Ring	10"	—	—	93734
Standard with C-Ring	12"	—	—	93736

1/4" Hex Shank Bit Holders For 5/16" Hex Insert Bits



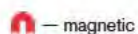
93724

Hex Drive	Overall Length	Bulk Item # (10-pc)
Turned	3"	93723
Turned	3"	93724

*C-Ring design only

**Magnetic bit holders only

FASTENER DRIVE



7/16" Hex Shank Bit Holders



93741

Hex Drive	Overall Length	Bulk Item # (10-pc)
For 1/4" Insert Bits	2-3/4"	93741

Square Drive Bit Holders



93813

Square Drive	Bit Size	Overall Length	Carded Item # (1-pc)	Bagged Item # (3-pc)	Bulk Item #
1/4"	1/4"	1"	3056003	—	93811 (10-pc)
1/4"	1/4"	1"	4935070	—	4935072 (10-pc)
3/8"	1/4"	1-1/4"	3558131C	3558133B	93813 (10-pc)
3/8"	1/4"	1-1/4"	4935071	—	4935073 (10-pc)
3/8"	5/16"	1-1/4"	—	—	93815 (10-pc)
3/8"	5/16"	1-1/4"	—	—	4935074 (10-pc)
1/2"	5/16"	1-1/2"	3056005	—	93817 (5-pc)
1/2"	5/16"	1-1/2"	—	—	4935075 (10-pc)

Lobular Nutsetters



IRWIN® lobular nutsetters are designed to drive the fastener from the side, rather than forcing the corners to turn, maintaining the true shape of the fastener and dramatically reducing breakage and damage from stripping. The lobular design also provides more clearance on the corners of the fastener where paint build-up often occurs. They are manufactured with powerful rare earth magnets that hold fasteners securely in place, and a 1/4" quick-change shank that works in all types of drills and drivers.



Fractional Nutsetter 1-7/8" Length - Lobular



94712

Hex Drive	Shank Diameter	Socket Body Dia.	Carded Item #	Bagged Item # (3-pc)	Bulk Item # (10-pc)
1/4"	1/4"	7/16"	3547121C	3547123B	94712
5/16"	1/4"	1/2"	3547321C	3547323B	94732
3/8"	1/4"	9/16"	3547521C	3547523B	94752
7/16"	1/4"	5/8"	3547721C	3547723B	94772

Fractional Nutsetter 2-9/16" Length - Lobular



94872

Hex Drive	Shank Diameter	Socket Body Dia.	Carded Item # (1-pc)	Bagged Item # (2-pc)	Bagged Item # (3-pc)	Bulk Item # (10-pc)
1/4"	1/4"	7/16"	3548121C	3548122B	3548123B	94812
5/16"	1/4"	1/2"	3548321C	3548322B	3548323B	94832
3/8"	1/4"	9/16"	3548521C	—	3548523B	94852
7/16"	1/4"	5/8"	3548721C	—	3548723B	94872

Nutsetter Sets - Lobular



3545984C

Hex Drive	Shank Diameter	Overall Length	Carded Item # (3-pc)	Carded Item # (4-pc)
1/4", 5/16", 3/8"	1/4"	1-7/8"	3545973C	—
1/4", 5/16", 3/8", 7/16"	1/4"	1-7/8"	—	3545984C
1/4", 5/16", 3/8"	1/4"	2-9/16"	3545993C	—

— magnetic

FASTENER DRIVE

Nutsetters

Metric Nutsetters



94204

- Magnetic nutsetters use rare earth magnetics that are 4X more powerful than common magnets.

Hex Drive	Shank Diameter	Socket Body Dia.	Overall Length	Bagged Item # (3-pc)	Bulk Item # (10-pc)
6 mm	1/4"	11.1 mm	47.6 mm	3051019	94202
8 mm	1/4"	12.7 mm	47.6 mm		94203
8 mm	1/4"	12.7 mm	47.6 mm	3051020	94204ZR
10 mm	1/4"	14.3 mm	47.6 mm	3051021	94206

Magnetic Insert Nutsetters



94132

- Can be used in bit holding screwdrivers or in any non-magnetic bit holders.

Hex Drive	Shank Diameter	Socket Body Dia.	Overall Length	Bulk Item # (10-pc)
1/4"	1/4"	7/16"	1-1/2"	94112ZR
5/16"	1/4"	1/2"	1-1/2"	94132
3/8"	1/4"	9/16"	1-5/8"	94152
7/16"	1/4"	5/8"	1-5/8"	94172ZR

Fractional Nutsetters



94212

- For use with sheet metal screws and other hexagonal head fasteners.

Hex Drive	Shank Body	Shank Diameter	Socket Body Dia.	Overall Length	Carded Item # (1-pc)	Bagged Item # (3-pc)	Bulk Item # (10-pc)
3/16"	—	1/4"	7/16"	1-7/8"	—	3051010	94209
1/4"	—	1/4"	7/16"	1-7/8"	—	—	94211
1/4"	—	1/4"	7/16"	1-7/8"	—	3051011	94212
1/4"	—	1/4"	1/2"	1-7/8"	—	—	94215
1/4"	—	1/4"	1/2"	1-7/8"	—	—	94216
1/4"	—	1/4"	7/16"	2-9/16"	—	—	94311
1/4"	—	1/4"	7/16"	2-9/16"	—	3051012	94312
1/4"	3/8"	1/4"	7/16"	2-9/16"	—	—	94316
1/4"	—	1/4"	7/16"	4"	3051001	—	94414
1/4"	—	1/4"	7/16"	6"	3051004	—	94416
1/4"	—	1/4"	7/16"	12"	3051007	—	—
5/16"	—	1/4"	1/2"	1-7/8"	—	—	94231
5/16"	—	1/4"	1/2"	1-7/8"	—	3051013	94232
5/16"	5/16"	1/4"	1/2"	2-9/16"	—	—	94331ZR
5/16"	5/16"	1/4"	1/2"	2-9/16"	—	3051014	94332
5/16"	3/8"	1/4"	1/2"	2-9/16"	—	—	94335
5/16"	3/8"	1/4"	1/2"	2-9/16"	—	—	94336
5/16"	—	1/4"	1/2"	4"	3051002	—	94434
5/16"	—	1/4"	1/2"	6"	3051005	—	94436
5/16"	—	1/4"	1/2"	12"	3051008	—	—
3/8"	—	1/4"	9/16"	1-7/8"	—	—	94251ZR
3/8"	—	1/4"	9/16"	1-7/8"	—	3051015	94252
3/8"	5/16"	1/4"	9/16"	2-9/16"	—	—	94351
3/8"	5/16"	1/4"	9/16"	2-9/16"	—	3051016	94352
3/8"	3/8"	1/4"	9/16"	2-9/16"	—	—	94356ZR
3/8"	—	1/4"	9/16"	4"	3051003	—	—
3/8"	—	1/4"	9/16"	6"	3051006	—	—
3/8"	—	1/4"	9/16"	12"	3051009	—	—
7/16"	—	1/4"	5/8"	1-7/8"	—	—	94271
7/16"	—	1/4"	5/8"	1-7/8"	—	—	94272
7/16"	3/8"	1/4"	5/8"	2-9/16"	—	—	94371ZR
7/16"	3/8"	1/4"	5/8"	2-9/16"	—	3051017	94372ZR
1/2"	—	1/4"	3/4"	1-7/8"	—	—	94291
1/2"	—	1/4"	3/4"	2-9/16"	—	3051018	—

— magnetic

▼ — tapered

Socket Adapters

IRWIN® socket adapters are available with a pin-lock design that's best for production applications, or a ball-lock retention design for applications when quick-change is ideal. The body of the socket is forged for additional strength.

7/16" Hex Shank Square Drive Socket Adapter



93749

Square Drive	Lock Type	Overall Length	Bulk Item # (5-pc)
3/8"	Pin	5"	93748
1/2"	Pin	3"	93749

1/4" Square Drive Socket Adapter



93758

Square Drive	Lock Type	Overall Length	Carded Item # (1-pc)	Bulk Item # (10-pc)
1/4"	Pin	1-3/8"	3056004	93755
1/4"	Ball	1-3/8"	—	93756
1/4"	Pin	2"	—	93758
1/4"	Ball	2"	3567611C	93761
1/4"	Pin	3"	—	93763
1/4"	Ball	3"	—	93765
1/4"	Pin	4"	—	93771
1/4"	Pin	6"	—	93776
1/4"	Ball	6"	—	93777

3/8" Square Drive Socket Adapter



93783

Square Drive	Lock Type	Overall Length	Carded Item # (1-pc)	Bulk Item # (10-pc)
3/8"	Pin	1-5/8"	—	93781
3/8"	Ball	1-5/8"	—	93782
3/8"	Pin	2"	—	93783
3/8"	Ball	2"	3567841C	93784
3/8"	Pin	3"	—	93786
3/8"	Ball	3"	—	93787
3/8"	Pin	4"	—	93789
3/8"	Pin	6"	—	93792
3/8"	Ball	6"	—	93793

1/2" Square Drive Socket Adapter



93795

Square Drive	Lock Type	Overall Length	Carded Item # (1-pc)	Bulk Item #
1/2"	Ball	2"	3567951C	93795 (10-pc)
1/2"	Ball	3"	—	93797 (5-pc)

Fastener Drive & Screwdriving Sets

20-piece IRWIN® PRO-PAK™



357320

Contents	PRO-PAK™ Item #
#2 Phillips® Insert Bit 1"	357320
#2 Phillips Drywall Insert Bit 1"	357120
#2 Square Recess Insert Bit 1"	357220
#2 Square 2-pc Insert Bit 1"	357220C

7-piece Drive Guide Set



3057011DS

Contents	Quantity	Item # 3057011DS
#2 Phillips Insert Bit 1"	2	92011
#2 Square Recess Insert Bit 1"	2	92205
8-10 Slotted Insert Bits 1"	2	92113
Compact Magnetic Drive Guide	1	93551

FASTENER DRIVE

13-piece Drive Guide Set



3057013DS

Contents	Quantity	Item # 3057013DS
#1 Phillips Insert Bit 1"	1	92005
#2 Phillips Insert Bit 1"	4	92011
#3 Phillips Insert Bit 1"	1	92019
#1 Square Recess Insert Bit 1"	1	92203
#2 Square Recess Insert Bit 1"	3	92205
8-10 Slotted Insert Bit 1"	2	92113
4-11/16" Magnetic Drive Guide	1	93553

21-piece Drive Guide Set



3057002DS

Contents	Quantity	Item # 3057002DS
#2 Phillips Insert Bits 1"	10	92011
#2 Square Insert Bits 1"	5	92205
8-10 Slotted Insert Bits 1"	5	92113
4-11/16" Magnetic Drive Guide	1	93553

— magnetic

7-piece Quick-Change Bit Set



3057003DS

Contents	Quantity	Item # 3057003DS
#1 Phillips Power Bit 2"	1	93003
#2 Phillips Power Bit 2"	2	93007
#2 Square Recess Power Bit 2"	2	93205
8-10 Slotted Power Bit 2"	1	93111
2-1/2" Quick-Change Chuck	1	90102

31-piece Screwdriver Bit Set with Storage

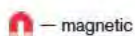


3057026

- Includes soft case with snap-lock closure and durable hinge for rigorous jobsite conditions.
- Bit and fastener storage case included.

Contents	Quantity	Item # 3057026
 Magnetic Bit Holder 2-1/4"	1	93714
#1 Phillips Insert Bit 1"	2	92005
#2 Phillips Insert Bit 1"	5	92011
#3 Phillips Insert Bit 1"	3	92019
#1 Square Recess Insert Bit 1"	2	92203
#2 Square Recess Insert Bit 1"	5	92205
#3 Square Recess Insert Bit 1"	1	92207
4-5 Slotted Insert Bit 1"	1	92107
6-8 Slotted Insert Bit 1"	3	92111
8-10 Slotted Insert Bit 1"	2	92113
10-12 Slotted Insert Bit 1"	1	92115
T15 Torx® Insert Bit 1"	1	92321
T20 Torx Insert Bit 1"	1	92324
T25 Torx Insert Bit 1"	1	92327
T27 Torx Insert Bit 1"	1	92330
T30 Torx Insert Bit 1"	1	92333

FASTENER DRIVE



31-piece SPEEDBOR® Drill/Drive Set



3057031

- Includes soft case with snap-lock closure and durable hinge for rigorous jobsite conditions.


Contents	Quantity	Item # 3057031
2-1/2" Quick-Change Chuck	1	90102
 Magnetic Bit Holder 2-1/4"	1	93714
 Compact Magnetic Screw Guide 3-1/16"	1	93551
#1 Phillips® Power Bit 2"	2	93003
#2 Phillips Power Bit 2"	4	93007
#3 Phillips Power Bit 2"	1	93011
8-10 Slotted Power Bit 2"	1	93111
10-12 Slotted Power Bit 2"	1	93113
#1 Square Recess Power Bit 2"	2	93203
#2 Square Recess Power Bit 2"	3	93205
#3 Square Recess Power Bit 2"	1	93207
#2 Square Recess Power Bit 1"	3	92205
#2 Phillips Insert Bit 1"	4	92011
3/8"-6" SPEEDBOR Drill Bit	1	99906
1/2"-6" SPEEDBOR Drill Bit	1	99908
5/8"-6" SPEEDBOR Drill Bit	1	99910
3/4"-6" SPEEDBOR Drill Bit	1	99912
7/8"-6" SPEEDBOR Drill Bit	1	99914
1"-6" SPEEDBOR Drill Bit	1	99916

41-piece Screwdriver Bit Soft Case Set

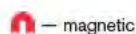


3057041

- Includes soft case with snap-lock closure and durable hinge for rigorous jobsite conditions.

Contents	Quantity	Item # 3057041
 Compact Magnetic Screw Guide 3-1/16"	1	93551
 Magnetic Bit Holder 2-1/4"	1	93714
#1 Phillips Insert Bit 1"	2	92005
#2 Phillips Insert Bit 1"	6	92011
#3 Phillips Insert Bit 1"	2	92019
#1 Square Recess Insert Bit 1"	2	92203
#2 Square Recess Insert Bit 1"	4	92205
#3 Square Recess Insert Bit 1"	1	92207
6-8 Slotted Insert Bit 1"	1	92111
8-10 Slotted Insert Bit 1"	2	92113
10-12 Slotted Insert Bit 1"	1	92115
#1 Phillips Power Bit 2"	1	93003
#2 Phillips Power Bit 2"	4	93007
#3 Phillips Power Bit 2"	2	93003
8-10 Slotted Power Bit 2"	1	93111
10-12 Slotted Power Bit 2"	1	93113
#1 Square Recess Power Bit 2"	1	93203
#2 Square Recess Power Bit 2"	3	93205
#3 Square Recess Power Bit 2"	1	93207
#2 Phillips Power Bit 4"	1	93059
#2 Square Recess Power Bit 4"	1	93226
1/4" - 1-7/8" Nutsetter	1	94712
5/16" - 1-7/8" Nutsetter	1	94732

FASTENER DRIVE



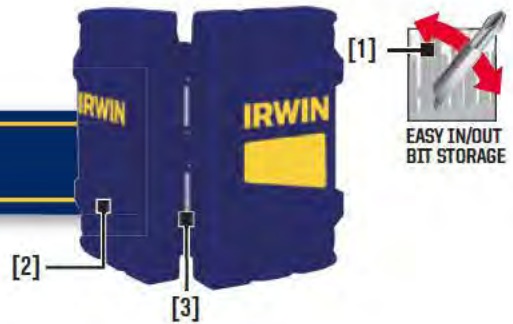
Pro Set Cases

IRWIN® professional fastener drive sets have convenient molded plastic cases that hold up anything the jobsite can throw at them.

Pro Set Cases

FEATURES

1. Two-step easy in/out bit storage holds bits securely in place until ready for use.
2. Molded plastic case holds up to rigors of daily use.
3. Full-length metal pin in hinge for added durability and life.



16-piece Screwdriver Bit Set



3057014

24-piece Screwdriver Bit Set



3057015

Contents	Quantity	Item # 3057014
Magnetic Bit Holder 2-1/4"	1	97314
#1 Phillips® Insert Bit 1"	1	92005
#2 Phillips Insert Bit 1"	2	92011
#3 Phillips Insert Bit 1"	1	92019
#2 Square Recess Insert Bit 1"	2	92205
8-10 Slotted Insert Bit 1"	1	92113
1/4" x 1-7/8" Nutsetter	1	94712
5/16" x 1-1/8" Nutsetter	1	94732
3/8" x 1-7/8" Nutsetter	1	94752
#2 Phillips Power Bit 2"	2	93007
#2 Square Recess Insert Bit 2"	1	93205
8-10 Slotted Power Bit 2"	1	93111
6-8 Slotted Power Bit 2"	1	93109

Contents	Quantity	Item # 3057015
#1 Phillips Insert Bit 1"	1	92005
#2 Phillips Insert Bit 1"	5	92011
#3 Phillips Insert Bit 1"	1	92019
#1 Square Recess Insert Bit 1"	1	92203
#2 Square Recess Insert Bit 1"	3	92205
#3 Square Recess Insert Bit 1"	2	92207
8-10 Slotted Insert Bit 1"	1	92113
Compact Magnetic Screw Guide 3-1/16"	1	93551
1/4" x 1-7/8" Nutsetter	1	94712
5/16" x 1-1/8" Nutsetter	1	94732
3/8" x 1-7/8" Nutsetter	1	94752
#2 Phillips Power Bit 4"	1	93057
#2 Square Recess Insert Bit 4"	1	93226
#2 Phillips Power Bit 2"	2	93007
#2 Square Recess Power Bit 2"	1	93205
8-10 Slotted Power Bit 2"	1	93111

FASTENER DRIVE

20-piece Drill / Drive Set



357020

Contents	Quantity	Item #	357020
Compact Magnetic Drive Guide	1	93551	
1/4" x 2-9/16" Nutsetter	1	94812	
3/8" x 2-9/16" Nutsetter	1	94852	
5/16" x 2-9/16" Nutsetter	1	94832	
#2/#2 Phillips Double End Bit	1	353202	
#1 Phillips Insert Bit	1	92005	
#2 Phillips Insert Bit	2	92011	
#3 Phillips Insert Bit	1	92019	
#2 Square Recess Insert Bit	2	92205	
8-10 Slotted Insert Bit	1	92113	
1/4" 135° Black Oxide HSS Fractional Straight Shank Jobber Length Drill Bit	1	63516	
3/16" 135° Black Oxide HSS Fractional Straight Shank Jobber Length Drill Bit	1	63512	
5/32" 135° Black Oxide HSS Fractional Straight Shank Jobber Length Drill Bit	1	63510	
1/8" 135° Black Oxide HSS Fractional Straight Shank Jobber Length Drill Bit	2	63508	
3/32" 135° Black Oxide HSS Fractional Straight Shank Jobber Length Drill Bit	1	63506	
1/16" 135° Black Oxide HSS Fractional Straight Shank Jobber Length Drill Bit	2	63504	

33-piece Screwdriver Bit Set

FASTENER DRIVE



3057017

Contents	Quantity	Item #	3057017
Magnetic Bit Holder 2-1/4"	1	93714	
#1 Phillips® Insert Bit 1"	2	92005	
#2 Phillips Insert Bit 1"	12	92011	
#3 Phillips Insert Bit 1"	2	92019	
#1 Square Recess Insert Bit 1"	1	92203	
#2 Square Recess Insert Bit 1"	5	92205	
#3 Square Recess Insert Bit 1"	1	92207	
1/4" x 1-7/8" Nutsetter	1	94712	
5/16" x 1-7/8" Nutsetter	1	94732	
3/8" x 1-7/8" Nutsetter	1	94752	
#2 Phillips Power Bit 2"	1	93007	
6-8 Slotted Insert Bit 1"	2	92111	
8-10 Slotted Insert Bit 1"	2	92113	
10-12 Slotted Insert Bit 1"	1	92115	

40-piece Screwdriver Bit Set

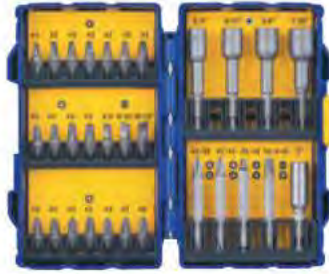


3057018

Contents	Quantity	Item #	3057018
Magnetic Bit Holder 2-1/4"	1	93714	
#1 Phillips Insert Bit 1"	2	92005	
#2 Phillips Insert Bit 1"	7	92011	
#3 Phillips Insert Bit 1"	2	92019	
#1 Square Recess Insert Bit 1"	1	92203	
#2 Square Recess Insert Bit 1"	5	92205	
#3 Square Recess Insert Bit 1"	1	92207	
6-8 Slotted Insert Bit 1"	1	92111	
8-10 Slotted Insert Bit 1"	1	92113	
10-12 Slotted Insert Bit 1"	1	92115	
TORX® Insert Bits 1": T10, T15, T20, T25, T27, T30, T40	7	92318, 92321, 92324, 92327, 92330, 92333, 92336	
Hex Head Insert Bits: 3/32", 7/64", 1/8", 9/64", 5/32", 3/16", 7/32"	7	92415, 92419, 92423, 92427, 92431, 92437, 92493	
#2 Square Recess Power Bit 2"	1	93205	
#3 Square Recess Power Bit 2"	1	93207	
#2 Phillips Power Bit 2"	1	93007	
#3 Phillips Power Bit 2"	1	93003	

— magnetic

30-piece Screwdriver Set



357030

Contents	Quantity	Item # 357030
#1 Phillips Insert Bit	2	92005
#2 Phillips Insert Bit	7	92011
#3 Phillips Insert Bit	2	92019
#1 Square Recess Insert Bit	1	92203
#2 Square Recess Insert Bit	5	92205
#3 Square Recess Insert Bit	1	92207
6-8 Slotted Insert Bit	1	92111
8-10 Slotted Insert Bit	1	92113
10-12 Slotted Insert Bit	1	92115
2-1/4" Magnetic Bit Holder	1	93712
#2/#2 Phillips Double End Bit	2	353202
#2 Sq Recess Double End	1	353203
8-10 Slotted Double End Bit	1	93525
1/4" Magnetic Nutsetters - 2-9/16"	1	94812
5/16" Magnetic Nutsetters - 2-9/16"	1	94832
3/8" Magnetic Nutsetters - 2-9/16"	1	94852
7/16" Magnetic Nutsetters - 2-9/16"	1	94872

16-piece Automotive & Maintenance Power Bit Set



3057016

Contents	Quantity	Item # 3057016
#2 Phillips® Power Bit x 3-1/2"	1	93025
#3 Phillips Power Bit x 3-1/2"	1	93029
#2 POZIDRN® Power Bit x 3-1/2"	1	93037
#1 Phillips Power Bit x 6"	1	93063
#2 Phillips Power Bit x 6"	1	93067
T15 TORX® #2 Power Bit x 3-1/2"	1	93360
T20 TORX #2 Power Bit x 3-1/2"	1	93361
T20 TORX #2 Power Bit x 6"	1	93369
T25 TORX #2 Power Bit x 6"	1	93370
T27 TORX #2 Power Bit x 6"	1	93371
T30 TORX #2 Power Bit x 6"	1	93372
1/4" Socket Adapter x 2"	1	93761
3/8" Socket Adapter x 2"	1	93784
5/16" Magnetic Nutsetter x 1-7/8"	1	94732
2" Quick-Change Bit Holder	1	4935703
6" Quick-Change Bit Holder	1	4935704

FASTENER DRIVE

Fastener Drive & Screwdriving

Sets

34-piece Automotive & Maintenance Power Bit Set



3057034

FASTENER DRIVE


Contents	Quantity	Item # 3057034
#1 Phillips Power Bit x 2"	1	93003
#2 Phillips Power Bit x 2"	1	93007
#3 Phillips Power Bit x 2"	1	93011
#1 POZIDRIV Power Bit x 2"	1	93073
#2 POZIDRIV Power Bit x 2"	1	93077
#3 POZIDRIV Power Bit x 2"	1	93079
T8 TORX Power Bit x 2"	1	93312
T9 TORX Power Bit x 2"	1	93315
T10 TORX Power Bit x 2"	1	93318
#1 Phillips Power Bit x 3-1/2"	1	93023
#2 Phillips Power Bit x 3-1/2"	1	93025
#3 Phillips Power Bit x 3-1/2"	1	93029
#2 POZIDRIV Power Bit x 3-1/2"	1	93037
T15 TORX Power Bit x 3-1/2"	1	93360
T20 TORX Power Bit x 3-1/2"	1	93361
T25 TORX Power Bit x 3-1/2"	1	93362
T30 TORX Power Bit x 3-1/2"	1	93364
#1 Phillips Power Bit x 6"	1	93063
#2 Phillips Power Bit x 6"	1	93067
#3 Phillips Power Bit x 6"	1	93069
#2 POZIDRIV Power Bit x 6"	1	93040
T15 TORX Power Bit x 6"	1	93368
T20 TORX Power Bit x 6"	1	93369
T25 TORX Power Bit x 6"	1	93370
T27 TORX Power Bit x 6"	1	93371
T30 TORX Power Bit x 6"	1	93372
1/4" Socket Adapter x 2"	1	93761
3/8" Socket Adapter x 2"	1	93784
1/2" Socket Adapter x 2"	1	93795
1/2" Magnetic Nutsetter x 1-7/8"	1	94712
5/16" Magnetic Nutsetter x 1-7/8"	1	94732
3/8" Magnetic Nutsetter x 1-7/8"	1	94752
2" Quick-Change Bit Holder	1	4935703
6" Quick-Change Bit Holder	1	4935704

150-piece Screwdriving Bit Assortment



4935104

Contents	Quantity	Item # 4935104
#1 Phillips Insert Bit 1/4" x 1"	10	92005
#2 Phillips Insert Bit 1/4" x 1"	15	92011
#3 Phillips Insert Bit 1/4" x 1"	10	92019
#2 Square Recess Insert Bit x 1"	15	92205
T20-TR Insert Bit x 1"	10	92326
T25-TR Insert Bit x 1"	15	92329
T27-TR Insert Bit x 1"	10	92332
8-10 Slotted Insert Bit x 1"	15	92113
#2 Phillips Power Bit - 1-15/16"	10	93007
#2 Square Recess Power Bit - 1-15/16"	10	93205
T25 Power Bit x 1-15/16"	10	93327
8 - 10 Slotted Power Bit x 1-15/16"	10	93111
Nutsetter 1/4" x 1-7/8" Magnetic 3/Bag	3	3051011
Nutsetter 5/16" x 1-7/8" Magnetic 3/Bag	3	3051013
Nutsetter 3/8" x 1-7/8" Magnetic 3/Bag	3	3051015
Bit Holder 2-31/32" Magnetic w/C-Ring 3/Bag	1	3557183B

 — magnetic

IRWIN 9-in-1™ Multi-Tool

IRWIN's 9-in-1 Multi-Tool takes versatility and convenience to a new level. This professional-grade tool features six (6) bits and three (3) nut drivers — the most common sizes — all conveniently stored inside the tool in a unique stacking configuration, so the right fastening tool will always be at your fingertips. The 9-in-1 Multi-Tool also features IRWIN's ergonomic ProTouch™ Grip, providing comfort and slip resistance for maximum torque.

9-in-1 MULTI-TOOL
FEATURES



1. Nine (9) bits and nutsetters for use on a variety of fasteners.
2. Internal storage keeps bits and nutsetters locked in place and close at hand.
3. Ergonomic ProTouch™ grip provides maximum torque, comfort, and slip resistance.



3 Nut Setters



6 Bits




FASTENER DRIVE


IRWIN 8-in-1™ Multi-Tool

The highly versatile IRWIN 8-in-1 Multi-tool is ideal for hard-to-reach areas. This professional-grade tool includes seven (7) of the most common-sized screwdriving bits, all conveniently and securely stored inside of the tool. The shank functions as a 1/4" nut driver. Plus, the shank is magnetic, so bits are held securely in place. The IRWIN 8-in-1 Multi-tool features a non-slip ProTouch™ Grip, providing maximum torque, with incredible comfort and control.

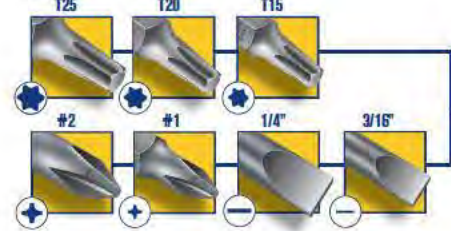
8-in-1 MULTI-TOOL
FEATURES




1. Magnetic shank holds bits securely in place.
2. Internal storage keeps bits locked in place and close at hand.
3. Ergonomic ProTouch™ grip provides maximum torque, comfort, and slip resistance.



1 Nut Setter



7 Bits



Description	Item #	Carton Qty
9-in-1 Multi-Tool		
9-in-1 Multi-Tool	2051100	6
8-in 1 Multi-Tool		
8-in-1 Multi-Tool	4935586	5

IRWIN®

Masonry & Specialty Drilling



www.irwin.com

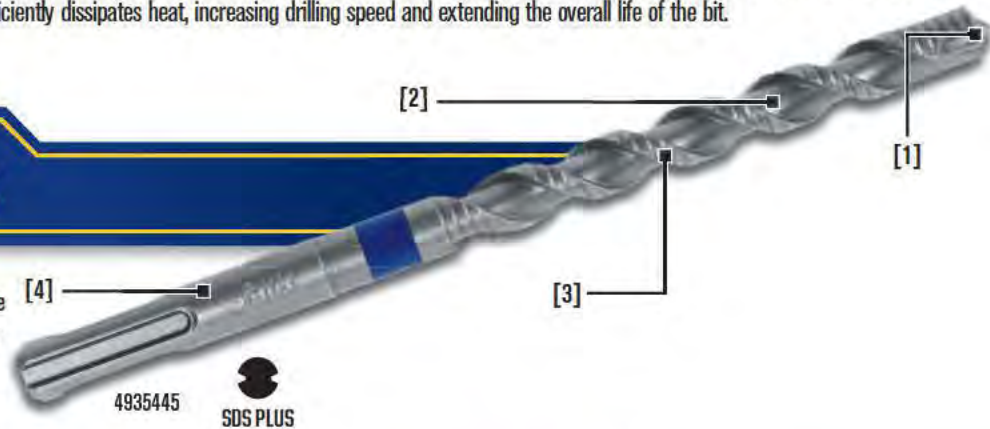


POWERS THROUGH REBAR

Compared to other masonry bits, IRWIN® SpeedHammer Power™ masonry bits are manufactured with twice the carbide in the tip for longer life when drilling in rebar-reinforced concrete. Manufactured with premium steel, these bits are optimized for cutting through concrete at high speeds. The flute has an outer groove that quickly removes dust and efficiently dissipates heat, increasing drilling speed and extending the overall life of the bit.

SPEEDHAMMER POWER FEATURES

1. Patented design has twice the carbide in the tip compared to other masonry bits, for two times longer life. It is optimized for cutting through rebar-reinforced concrete at high speeds.
2. Maximized flute with outer groove removes dust quickly and improves heat dissipation, increasing penetration speed and extending life of the bit.
3. Manufactured with premium steel for increased core strength, maximum durability, and extended bit life.
4. SDS® Plus shank is compatible with SDS Plus and TEC style drills.*



2X LONGER LIFE**

MASONRY DRILLING

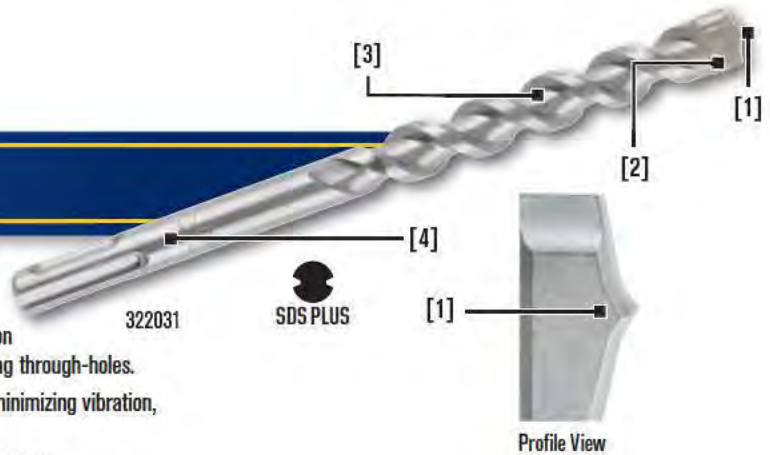
Description	Hang Tag Item #	Pack Qty	Bulk Item #	Pack Qty
SpeedHammer Power - 2-Cutter				
3/16" x 4" x 6"	4935448	1	4935461	25
3/16" x 6" x 8"	4935449	1	4935466	25
3/16" x 10" x 12"	4935447	1	—	5
1/4" x 4" x 6"	4935445	1	4935460	25
1/4" x 6" x 8"	4935446	1	4935465	25
1/4" x 10" x 12"	4935444	1	—	—
3/8" x 4" x 6"	4935454	1	4935463	25
3/8" x 6" x 8"	4935455	1	—	—
3/8" x 10" x 12"	4935453	1	—	—
1/2" x 4" x 6"	4935442	1	4935459	25
1/2" x 6" x 8"	4935443	1	—	—
1/2" x 10" x 12"	4935441	1	4935467	5
5/8" x 4" x 6"	4935457	1	4935464	25
5/8" x 6" x 8"	4935458	1	—	—
5/8" x 10" x 12"	4935456	1	4935470	5
3/4" x 4" x 6"	4935451	1	4935462	5
3/4" x 6" x 8"	4935452	1	—	—
3/4" x 10" x 12"	4935450	1	4935468	5
SpeedHammer Power Sets				
5-Pc. Set Contains: 3/16" x 6", 1/4" x 6" (2), 3/8" x 6", 1/2" x 6"	4935471	—	—	—
5-Pc. Set Contains: 3/16" x 6" (5)	1813617	—	—	—
5-Pc. Set Contains: 1/4" x 6" (5)	1813618	—	—	—

*© SDS Plus is a registered trademark of Robert Bosch GmbH. ** vs. traditional masonry bits



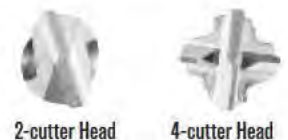
SPEEDHAMMER PLUS FEATURES

1. Patented carbide tip design cuts fast and is self-centering for simple, controlled starts.
2. Short drilling head forces debris into flute for faster penetration speed and extended bit life, and reduces breakout when drilling through-holes.
3. Unique flute design clears debris quickly, reducing clogging, minimizing vibration, and increasing overall drilling speed and bit life.
4. SDS® Plus shank is compatible with SDS Plus and TEC style drills.*



Description	Hang Tag Item #	Pack Qty	Bulk Item #	Pack Qty
SpeedHammer Plus - 2-Cutter				
5/32" x 2" x 4"	322001	1	—	—
5/32" x 4" x 6"	322002	1	322002B25	25
3/16" x 2" x 4"	322003	1	322003B25	25
3/16" x 4" x 6"	322004	1	322004B25	25
3/16" x 6" x 8"	322005	1	322005B25	25
3/16" x 8" x 10"	322006	1	322006B25	25
3/16" x 10" x 12"	322007	1	322007B25	25
7/32" x 4" x 6"	322013	1	322013B25	25
7/32" x 6" x 8"	322014	1	322014B25	25
7/32" x 10" x 12"	322015	1	322015B25	25
1/4" x 2" x 4"	322016	1	322016B25	25
1/4" x 4" x 6"	322017	1	322017B25	25
1/4" x 6" x 8"	322018	1	322018B25	25
1/4" x 8" x 10"	322019	1	—	—
1/4" x 10" x 12"	322020	1	—	—
1/4" x 12" x 14"	322021	1	—	—
5/16" x 4" x 6"	322022	1	322022B25	25
5/16" x 10" x 12"	322023	1	—	—
3/8" x 4" x 6"	322024	1	322024B25	25
3/8" x 8" x 10"	322025	1	—	—
3/8" x 10" x 12"	322026	1	322026B25	25
3/8" x 16" x 18"	322027	1	—	—
3/8" x 22" x 24"	322028	1	—	—
7/16" x 4" x 6"	322029	1	—	—
7/16" x 10" x 12"	322030	1	—	—
1/2" x 4" x 6"	322031	1	322031B25	25
1/2" x 8" x 10"	322032	1	—	—
1/2" x 10" x 12"	322033	1	322033B25	25
1/2" x 16" x 18"	322034	1	—	—
1/2" x 22" x 24"	322035	1	—	—
9/16" x 4" x 6"	322036	1	—	—
9/16" x 10" x 12"	322037	1	—	—
9/16" x 16" x 18"	322038	1	—	—
5/8" x 4" x 6"	322041	1	—	—
5/8" x 6" x 8"	322042	1	322042B25	25
5/8" x 10" x 12"	322043	1	—	—
5/8" x 16" x 18"	322044	1	—	—
5/8" x 22" x 24"	322045	1	—	—
11/16" x 6" x 8"	322046	1	—	—
3/4" x 6" x 8"	322047	1	—	—
3/4" x 10" x 12"	322048	1	—	—
3/4" x 16" x 18"	322049	1	—	—

Description	Hang Tag Item #	Pack Qty
3/4" x 22" x 24"	322050	1
7/8" x 6" x 8"	322051	1
7/8" x 10" x 12"	322052	1
7/8" x 16" x 18"	322053	1
1 x 8 x 10	322054	1
1" x 16" x 18"	322055	1
SpeedHammer Plus - 4-Cutter		
3/4" x 16" x 18"	322082	1
7/8" x 16" x 18"	322085	1
1" x 16" x 18"	322087	1
1-1/8" x 16" x 18"	322089	1
SpeedHammer Plus - Hex Drive Drill Bits		
3/16" x 2" x 5"	322056	1
3/16" x 3" x 6"	322057	1
3/16" x 4" x 7"	322058	1
5/32" x 2" x 5"	322059	1
5/32" x 4" x 7"	322061	1
SpeedHammer Plus - 2-Cutter Sets		
5-Pc. Set Contains: 5/32" x 6", 3/16" x 6", 1/4" x 6", 3/8" x 6", and 1/2" x 6"	4935077	6
5-Pc. Set Contains: 5/32" x 6" (5)	1813552	6
5-Pc. Set Contains: 3/16" x 6" (5)	1813553	6
5-Pc. Set Contains: 1/4" x 6" (5)	1813554	6
5-Pc. Set Contains: 3/8" x 6" (5)	1813555	6
5-Pc. Set Contains: 1/2" x 6" (5)	1813616	6



2-cutter Head

4-cutter Head

*© SDS Plus is a registered trademark of Robert Bosch GmbH.

SpeedHammer Plus™ Metric



- Patented carbide tip design cuts fast and is self-centering for simple, controlled starts.
- Short drilling head forces debris into flute for faster penetration speed and extended bit life, and reduces breakout when drilling through-holes.

SDS-Max® Drill Bits



- Patented tip design enhances dust removal and provides symmetrical holes.
- Shot-peened, double-tempered finish for increased wear resistance and extended life.



2-cutter Head

4-cutter Head

MASONRY DRILLING

Description	Item #	Pack Qty
SpeedHammer Plus Metric - Tubed		
110 x 04.00 mm	IW13083	1
110 x 05.00 mm	IW13084	1
160 x 05.00 mm	IW13085	1
110 x 06.00 mm	IW13086	1
160 x 06.00 mm	IW13087	1
210 x 06.00 mm	IW13088	1
260 x 06.00 mm	IW13089	1
110 x 06.50 mm	IW13090	1
160 x 06.50 mm	IW13091	1
110 x 07.00 mm	IW13092	1
110 x 08.00 mm	IW13093	1
160 x 08.00 mm	IW13094	1
210 x 08.00 mm	IW13095	1
260 x 08.00 mm	IW13096	1
310 x 08.00 mm	IW13097	1
160 x 10.00 mm	IW13098	1
210 x 10.00 mm	IW13099	1
260 x 10.00 mm	IW13100	1
310 x 10.00 mm	IW13101	1
460 x 10.00 mm	IW13102	1
160 x 12.00 mm	IW13103	1
210 x 12.00 mm	IW13104	1
310 x 12.00 mm	IW13105	1
460 x 12.00 mm	IW13106	1
160 x 13.00 mm	IW13107	1
260 x 13.00 mm	IW13108	1
310 x 13.00 mm	IW13109	1
160 x 14.00 mm	IW13110	1
210 x 14.00 mm	IW13111	1
260 x 14.00 mm	IW13112	1
310 x 14.00 mm	IW13113	1
160 x 15.00 mm	IW13114	1
160 x 16.00 mm	IW13115	1
210 x 16.00 mm	IW13116	1
300 x 16.00 mm	IW13117	1
210 x 18.00 mm	IW13118	1
300 x 18.00 mm	IW13119	1
210 x 19.00 mm	IW13120	1
300 x 19.00 mm	IW13121	1
460 x 19.00 mm	IW13122	1
210 x 20.00 mm	IW13123	1
300 x 20.00 mm	IW13124	1
460 x 20.00 mm	IW13125	1
260 x 22.00 mm	IW13126	1
460 x 22.00 mm	IW13127	1
260 x 25.00 mm	IW13128	1
310 x 25.00 mm	IW13129	1
460 x 25.00 mm	IW13130	1

Description	Item #	Pack Qty
SDS-Max - 2-Cutter - Tubed		
3/8" x 7-1/2" x 13"	323000	1
1/2" x 7-1/2" x 13"	323001	1
1/2" x 15-1/2" x 21"	323002	1
9/16" x 7-1/2" x 13"	323003	1
9/16" x 15-1/2" x 21"	323004	1
SDS-Max - 4-Cutter - Tubed		
5/8" x 7-1/2" x 13"	323005	1
5/8" x 15-1/2" x 21"	323006	1
5/8" x 30-1/2" x 36"	323007	1
11/16" x 15-1/2" x 21"	323008	1
3/4" x 8" x 13"	323009	1
3/4" x 17" x 21"	323010	1
3/4" x 31" x 36"	323011	1
13/16" x 17" x 21"	323012	1
7/8" x 8" x 13"	323014	1
7/8" x 17" x 21"	323015	1
1" x 8" x 13"	323016	1
1" x 17" x 21"	323017	1
1" x 31" x 36"	323018	1
1-1/8" x 12" x 17"	323020	1
1-1/8" x 17" x 21"	323022	1
1-1/4" x 10" x 15"	323023ZR	1
1-1/4" x 18" x 23"	323024	1
1-1/4" x 31" x 36"	323025	1
1-3/8" x 18" x 23"	323028	1
1-1/2" x 18" x 23"	323031	1
1-3/4" x 17" x 23"	323033	1
2" x 17" x 23"	323034	1
Adapters		
Adapter, SDS-Max to SDS Plus	327001	1

Spline Drill Bits



324011

- Patented tip design enhances dust removal and provides symmetrical holes.
- Shot-peened, double-tempered finish for increased wear resistance and extended life.



2-cutter Head



4-cutter Head

Description	Item #	Pack Qty
Spline – 2-Cutter – Tubed		
3/8" x 5" x 10"	324000	1
3/8" x 8" x 13"	324001	1
3/8" x 11" x 16"	324002	1
1/2" x 5" x 10"	324003	1
1/2" x 8" x 13"	324004	1
1/2" x 11" x 16"	324005	1
1/2" x 17" x 22"	324006	1
1/2" x 24" x 29"	324007	1
1/2" x 31" x 36"	324008	1
9/16" x 8" x 13"	324009	1
9/16" x 17" x 23"	324010	1
5/8" x 5" x 10"	324011	1
5/8" x 11" x 16"	324012	1
5/8" x 17" x 22"	324013	1
5/8" x 31" x 36"	324015	1
3/4" x 5" x 10"	324017	1
3/4" x 8" x 13"	324018	1
3/4" x 11" x 16"	324019	1
3/4" x 17" x 22"	324020	1
3/4" x 24" x 29"	324021	1
3/4" x 31" x 36"	324022	1
7/8" x 11" x 16"	324025	1
7/8" x 17" x 22"	324026	1
7/8" x 31" x 36"	324027	1
1" x 8" x 13"	324028	1
1" x 11" x 16"	324029	1
1" x 17" x 22"	324030	1
1" x 31" x 36"	324031	1
1 1/8" x 11" x 16"	324033	1
1-1/8" x 17" x 22"	324034	1
1-1/4" x 11" x 16"	324035	1
1-1/4" x 17" x 22"	324036	1
1-1/4" x 31" x 36"	324037	1
1-3/8" x 11" x 16"	324038	1
1-3/8" x 17" x 22"	324039	1
1-1/2" x 11" x 16"	324040	1
1-1/2" x 17" x 22"	324041	1
1-3/4" x 17" x 22"	324043	1
2" x 17" x 22"	324044	1

Description	Item #	Pack Qty
Spline – 4-Cutter – Tubed		
5/8" x 5" x 10"	324050	1
5/8" x 11" x 16"	324051	1
5/8" x 17" x 22"	324052	1
5/8" x 24" x 29"	324053	1
5/8" x 31" x 36"	324054	1
11/16" x 11" x 16"	324055	1
3/4" x 11" x 16"	324056	1
3/4" x 5" x 10"	324057	1
3/4" x 17" x 22"	324058	1
3/4" x 24" x 29"	324059	1
3/4" x 31" x 36"	324060	1
7/8" x 11" x 16"	324063	1
7/8" x 17" x 22"	324064	1
1" x 11" x 16"	324065	1
1" x 17" x 22"	324066	1
1" x 31" x 36"	324067	1
1" x 24" x 29"	324068	1
1-1/8" x 11" x 16"	324070	1
1-1/8" x 17" x 22"	324071	1
1-1/4" x 11" x 16"	324072	1
1-1/4" x 17" x 22"	324073	1
1-1/4" x 31" x 36"	324074	1
1-3/8" x 17" x 22"	324076	1
1-1/2" x 17" x 22"	324078	1
1-3/4" x 18" x 23"	324080	1
2" x 18" x 23"	324081	1
Adapters		
Adapter, Spline to SDS Plus	327002	1

One-Piece Hammer Core Spline



325000



Description	Item #	Pack Qty
Spline - One-Piece Hammer Cores - Tubed		
1-1/2" x 11-3/8"	325000	1
1-1/2" x 22"	325001	1
2" x 11-3/8"	325002	1
2" x 22"	325003	1
2-1/2" x 11-3/8"	325004	1
2-1/2" x 22"	325005	1
3-1/8" x 11-3/8"	325006	1
3-1/8" x 22"	325007	1
3-1/2" x 11-3/8"	325008	1
3-1/2" x 22"	325009	1
4" x 11-3/8"	325010	1
4" x 22"	325011	1
5" x 11-3/8"	325012	1
5" x 22"	325013	1

One-Piece Hammer Core SDS-Max®

MASONRY DRILLING



325030



325031



Description	Item #	Pack Qty
SDS-Max - One-Piece Hammer Cores - Tubed		
1-1/2" x 11-3/8"	325014	1
1-1/2" x 22"	325015	1
2" x 11-3/8"	325016	1
2" x 22"	325017	1
2-1/2" x 11-3/8"	325018	1
2-1/2" x 22"	325019	1
3-1/8" x 11-3/8"	325020	1
3-1/8" x 22"	325021	1
3-1/2" x 11-3/8"	325022	1
3-1/2" x 22"	325023	1
4" x 11-3/8"	325024	1
4" x 22"	325025	1
5" x 22"	325026	1
6" x 22"	325027	1
Ejector Key	325030	1
Center Bit	325031	1

Masonry Installer Bits



40012

- Hole in flute makes it easy to pull wire through walls, ceilings, and floors.
- Specially designed flute quickly clears masonry dust.
- Heavy duty 118° point enters material quickly.
- Carbide tip cutting edge is ideal for use where masonry construction is encountered, including brick, mortar joints, and cinder blocks.

Diameter	Shank Size	Overall Length	Item #	Pack Qty
1/4"	.245"	18"	40004ZR	1
5/16"	.250"	18"	40005	1
3/8"	.370"	18"	40006	1
1/2"	.370"	18"	40008	1
5/8"	.370"	18"	40010	1
3/4"	.370"	18"	40012	1

Flat Chisel



332003

- For general chiseling and breaking work in brick, concrete and loose stone (ex: when laying cables)

Scaling Chisel



332008

- For removing large quantities of material

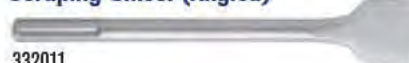
Wide Scaling Chisel



332010

- For removing large areas of floor covering and reward sheeting

Scraping Chisel (Angled)



332011

- For easy removal of tiles (with ergonomically angled working end)

Mortar/Seam Tool



332012

- For the removal and cleaning of pointing in brick and mortar

Slotting Chisel



332013

- For brick repair (ex: removing pointing)

Clay Spade



332014

- For general garden and landscaping (not for use in concrete)

Pointed Spade



333014

- For digging in soil (not for use in concrete)

Asphalt Cutter



332015

- For road repairing, road surfaces or other road maintenance (not for use in concrete)

Moil Point



331000

- For general chiseling and breaking work in brick, concrete and loose stone (ex: when laying cables)

Gouge



332016

- For cutting narrow channels into concrete

Bush Tool



332017

- For roughing up concrete and asphalt prior to a surface treatment

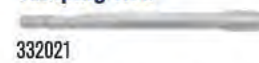
Ground Rod Driver



332019

- For driving in ground rods (ex: telecommunications)

Tamping Rod



332021

- For compacting soil and gravel

Tamping Plate



332020

- For compacting soil and gravel

Description	Item #	Pack Qty
SDS-Max® - Demolition Chisel Hammer Bits - Bulk		
Moil Point - 12"	332000	1
Moil Point - 18"	332001	1
Flat Chisel - 1" x 12"	332003	1
Flat Chisel - 1" x 18"	332004	1
Scaling Chisel - 1-1/2" x 12"	332006	1
Scaling Chisel - 2" x 12"	332008	1
Wide Scaling Chisel, 3" x 12"	332010	1
Scraping Chisel - 2" x 12", Angled	332011	1
Mortar/Seam Tool - 1-1/8" x 12"	332012	1
Slotting Chisel - 1-3/8" x 12"	332013	1
Clay Spade - 4" x 16"	332014	1
Asphalt Cutter - 4-3/8" x 16"	332015	1
Gouge - 1" x 12"	332016	1
Bush Tool, 1-Pc. - 1-3/4" x 9-1/2"	332017	1
Ground Rod Driver - 7/8"-1.35" x 10-1/4"	332019	1
5" x 5" Tamping Plate	332020	1
12" Tamping Rod SDS-Max® Shank	332021	1
SDS-Plus® - Demolition Chisel - Hang Tag		
Moil Point - 10"	331000	1
Flat Chisel - 3/4" x 10"	331001	1
Scaling Chisel - 1-5/8" x 10"	331002	1

Description	Item #	Pack Qty
Spline - Demolition Chisel Hammer Bits - Bulk		
Moil Point - 12"	333000	1
Moil Point - 18"	333001	1
Flat Chisel - 1" x 12"	333003	1
Flat Chisel - 1" x 18"	333004	1
Scaling Chisel - 1-1/2" x 12"	333006	1
Scaling Chisel - 2" x 12"	333008	1
Wide Scaling Chisel - 3" x 12"	333010	1
Scraping Chisel - 2" x 12", Angled	333011	1
Slotting Chisel - 1-3/8" x 12"	333012	1
Pointed Spade - 5-3/8" x 16"	333014	1
Asphalt Cutter - 4-3/8" x 16"	333015	1
Gouge - 1" x 12"	333016	1
Bush Tool, 1-Pc. - 1-3/4" x 9-1/4"	333017	1
Ground Rod Driver - 7/8"-1.35" x 10-1/4"	333019	1
5" x 5" Tamping Plate	333020	1
12" Tamping Rod Spline Shank	333021	1

Rotary Percussion Drill Bits



326015

- Double-ground, extra-deep flute for faster debris removal, increased speed, and longer bit life.
- Manufactured with a Chrome Vanadium Spring Steel shaft for superior durability and long life.

Description	Tubed Item #	Pack Qty	Bulk Item #	Pack Qty
Rotary Percussion				
1/8" x 1-1/2" x 3"	326000	1	326000B25	25
5/32" x 4" x 6"	326001	1	—	—
3/16" x 2" x 3-1/2"	326002	1	326002B25	25
3/16" x 4-1/2" x 6"	326003	1	326003B25	25
1/4" x 2" x 4"	326005	1	326005B25	25
1/4" x 4" x 6"	326006	1	326006B25	25
1/4" x 8" x 12"	326007	1	—	—
5/16" x 2-1/2" x 4-3/4"	326008	1	326008B25	25
5/16" x 4" x 6"	326009	1	326009B25	25
5/16" x 8" x 12"	326010	1	—	—
3/8" x 4" x 6"	326011	1	326011B25	25
3/8" x 8" x 12"	326012	1	—	—
3/8" x 16" x 20"	326013	1	—	—
7/16" x 4" x 6"	326014	1	—	—
1/2" x 4" x 6"	326015	1	326015B25	25
1/2" x 8" x 12"	326016	1	—	—
1/2" x 20" x 24"	326017	1	—	—
5/8" x 3" x 6" (1/2" Shank)	326019	1	—	—
5/8" x 8" x 12" (1/2" Shank)	326020	1	—	—
5/8" x 20" x 24" (1/2" Shank)	326021	1	—	—
3/4" x 3" x 6" (1/2" Shank)	326022	1	—	—
3/4" x 8" x 12" (1/2" Shank)	326023	1	—	—
7/8" x 3" x 6" (1/2" Shank)	326024	1	—	—
7/8" x 8" x 12" (1/2" Shank)	326025	1	—	—
1" x 3" x 6" (1/2" Shank)	326026	1	—	—
1" x 8" x 12" (1/2" Shank)	326027	1	—	—
Rotary Percussion Sets				
5-Pc. Set Contains: 5/32" x 6", 3/16" x 6", 1/4" x 6", 3/8" x 6", and 1/2" x 6"	4935076	6	—	—
5-Pc. Set Contains: 5/32" x 6" (5)	1813549	6	—	—
5-Pc. Set Contains: 3/16" x 6" (5)	1813550	6	—	—
5-Pc. Set Contains: 1/4" x 6" (5)	1813551	6	—	—

Glass and Tile Masonry Drill Bits



50520

- Carbide spear-point tip cuts clean, round holes with minimized chipping in glass, tile, and ceramic.

Description	Item #	Pack Qty
Glass and Tile Masonry Drill Bits - Carded		
1/8"	50508	5
3/16"	50512	5
1/4"	50516	5
5/16"	50520	5
3/8"	50524	5
1/2"	50532	5

Rotary Drill Bits - Slow Spiral Flute



5026012

- Tungsten carbide tip for durability in concrete and brick.
- Deep single flute removes drilling dust fast.

Description	Item #	Pack Qty
Rotary Drill Bits - Carded		
1/8" x 3"	5026000	5
5/32" x 3"	5026001	5
3/16" x 4"	5026002	5
1/4" x 4"	5026003	5
1/4" x 13"	5026005	3
5/16" x 4"	5026006	5
5/16" x 13"	5026008	3
3/8" x 4"	5026009	5
3/8" x 13"	5026011	3
7/16" x 6"	5026012	5
7/16" x 13"	5026013	3
1/2" x 6"	5026015	5
1/2" x 13"	5026016	3
5/8" x 6"	5026019	5
5/8" x 13"	5026020	3
3/4" x 6"	5026021	5
3/4" x 13"	5026022	3
1" x 6"	5026023	5
Sets		
5-Pc. Set Contains: 3/16", 1/4" (2 each), 3/8", 1/2"	5026024	1

Rotary Drill Bits - Fast Spiral Flute



5026003

- Tungsten carbide tip for durability in concrete and brick.
- Deep single flute removes drilling dust fast.

Description	Item #	Pack Qty
Rotary Drill Bits - Carded		
1/8" X 3"	61108	5
3/16" X 4"	61112	5
1/4" X 4"	61116	5
5/16" X 4"	61120	5
3/8" X 4"	61124	5
7/16" X 4"	61128	5
1/2" X 4"	61132	5
5/8" X 6"	61140	5
3/4" X 6"	61148	5
Sets		
5-Pc. Set Contains: 3/16", 1/4", 5/16", 5/16", 3/8", 1/2"	61170	1

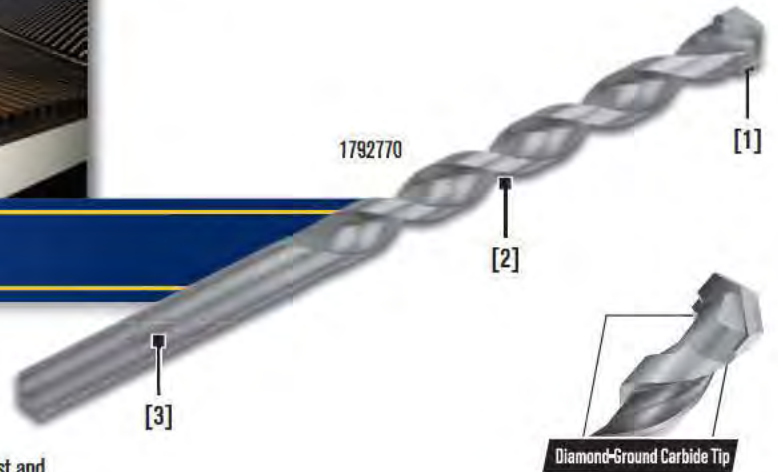
Multi-Material Bits



MULTI-MATERIAL DRILL BIT FEATURES

1. Carbide tip has a unique diamond-ground, four-facet design with sharper cutting edges for centered starts with no walking, fast drilling, and excellent hole quality in a variety of materials.
2. Double-milled flute ensures fast, efficient removal of drilling dust and debris to increase speed and prevent clogging.
3. Compatible with all standard 1/2" and 3/8" chuck drills.

IRWIN Multi-Material drill bits drill through just about any type of material out there – brick, block, tile, metal, wood, plastic and marble. They'll even drill through multiple materials at the same time. These versatile bits are designed specifically for rotary drilling, but are tough enough to be used with hammer drills.



Jobber Length Multi-Material Bits



1792770

Description	Item #	Pack Qty
1/8" x 3"	4935105	5
5/32" x 3-1/2"	4935106	5
3/16" x 3-3/4"	4935107	5
7/32" x 4"	1792767	5
1/4" x 4"	4935108	5
9/32" x 4"	1792768	5
5/16" x 4-3/4"	4935109	5
3/8" x 5"	1792769	5
7/16" x 5"	1792770	5
1/2" x 5"	1792771	5



Description	Item #	Pack Qty
Sets		
5-Piece Multi-Material Drill Bit Set (1/8" x 3", 5/32" x 3-1/2", 3/16" x 3-3/4", 1/4" x 4", and 5/16" x 4-3/4")	4935078	6
10-Piece Multi-Material Drill Bit Set (1/8" x 3", 5/32" x 3-1/2", 3/16" x 3-3/4", 7/32" x 4", 1/4" x 4", 9/32" x 4", 5/16" x 4-3/4", 3/8" x 5", 7/16" x 5", 1/2" x 5")	1792772	6

16" Extended Length Multi-Material Bits



1813898

Description	Item #	Pack Qty
1/4" x 16"	1813898	5
5/16" x 16"	1813899	5
3/8" x 16"	1813900	5
7/16" x 16"	1813901	5
1/2" x 16"	1813902	5



4935078



1792772



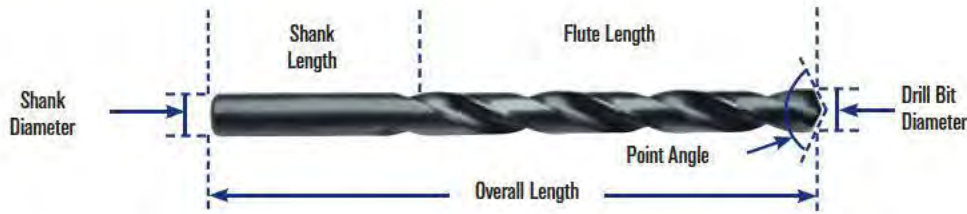
IRWIN®

Metal Drilling



www.irwin.com

Engineered for Controlled Precision and Speed



Overall Length: The length from the point to the end of the drill bit

Point Angle: The angle of the cutting edges

Drill Diameter: The cutting diameter of the drill bit

Shank Length: The end of the drill bit that is secured by the drill

Flute Length: The length from the point to the end of the flutes

Tip Geometry

METAL DRILLING

118° Conventional Point

- General use
- Not self-centering
- Best for stationary drills
- Performs better in softer materials vs. hard metal

118° Point Angle

135° Split Point

- Self-centering (won't "walk")
- Best for portable drills
- Requires less force than 118°

135° Point Angle

TURBOMAX® Tip

- Self-centering (won't "walk")
- Precision-ground to stay sharp longer and drill faster
- Best for portable drills
- Requires less force than 118°

Drill Bit Selection

Material	Point Angle	Black & Gold (135°)	TURBOMAX® (TURBOMAX)	Heavy-Duty (135°)	Titanium Nitride (TiN) Coated (135°)	Cobalt (135°)	General Purpose (118°)
Wood/Drywall		●	●	●	●	●	●
Sheet Metal		●	●	●	●	●	●
Mild Steel		●	●	●	●	●	●
High Alloy Steels		●	●	●	●	●	●
Stainless Steel		●	●	●	●	●	●
Cast Iron		●	●	●	●	●	●
Aluminum, Brass & Copper		●	●	●	●	●	●
Plastic		●	●	●	●	●	●

Key: ● Recommended ● Acceptable ● Not Recommended

Cutting Speeds (by Working Material)

Speeds for High Speed Steel Drills	SFM*
Aluminum and its Alloys	200 - 300
Brass and Bronze (Ordinary)	150 - 300
Bronze (High Tensile)	70 - 150
Die Castings (Zinc Base)	300 - 400
Iron-Cast (Soft)	100 - 150
Cast (Medium hard)	70 - 100
Hard Chilled	30 - 40
Malleable	80 - 90
Magnesium and its Alloys	250 - 400
Monel Metal or High-Nickel Steel	30 - 50
Plastics or Similar Materials (Bakelite)	100 - 300
Steel - Mild (.2 carbon to .3 carbon)	80 - 110
Steel (.4 carbon to .5 carbon)	70 - 80
Tool (1.2 carbon)	50 - 60
Forgings	40 - 50
Alloy - 300 to 400 Brinell	20 - 30
High Tensile (Heat-Treated)	
35 to 40 Rockwell C	30 - 40
40 to 45 Rockwell C	25 - 35
45 to 50 Rockwell C	15 - 25
50 to 55 Rockwell C	7 - 15
Stainless Steel	
Free Machining Grades	30 - 80
Work Hardening Grades	15 - 50
Wood	300 - 400

*Surface Feet per Minute (SFM)

$$\text{RPM} = \frac{\text{SFM} \times 3.82}{\text{Drill Diameter}}$$

TURBOMAX® Titanium HSS Fractional Jobber Length Drill Bits (Series 3015)



3015012

- Titanium nitride (TiN) coating resists heat and friction, providing up to six times longer life than standard high speed steel bits.
- Self-centering, precision-ground TURBOMAX® feature-point tip eliminates "walking" on flat and curved surfaces, stays sharp longer, and drills faster than standard high speed steel bits.
- 3-flatted shank on 3/16" and above sizes for exceptional grip on chuck.

Sets:

Pro Set Cases: 3018008, 3018009, 3018010, 3018011

Speeds and Feeds for Deep-Hole Drilling

Holes that qualify as "deep-hole drilling" are three or more drill bit diameters deep. When drilling this deep, the speed and feed rate must be adjusted to reduce friction. Friction creates heat, and heat build-up in the drill bit can cause failure and breakage. Lubricants help dissipate heat from the tip of the drill bit, prolonging drill life, and should always be used when deep-hole drilling.

Another technique that should be used when deep-hole drilling is "pecking." Pecking is the process whereby the user drills a short distance, then backs the drill out of the hole before progressing. Pecking reduces the possibility of chips getting lodged in the flute, and allows for the reintroduction of lubricant into the hole.

Speed and Feed Reduction (Based on the hole depth)

Hole Depth to Dia. (times drill dia.)	Speed Reduction	Feed Reduction
3	10%	10%
4	20%	10%
5	30%	20%
6	35 - 40%	20%

Feed Per Drill Revolution

Drill Dia. Range	Light	Medium	Heavy
1/16" to 1/8"	.0005 - .0010	.0010 - .0020	.0020 - .0040
1/8" to 1/4"	.0010 - .0030	.0030 - .0050	.0040 - .0050
1/4" to 3/8"	.0030 - .0050	.0050 - .0070	.0060 - .0100
3/8" to 1/2"	.0040 - .0060	.0050 - .0080	.0080 - .0120
1/2" to 3/4"	.0050 - .0070	.0070 - .0100	.0090 - .0140
3/4" to 1"	.0070 - .0100	.0090 - .0140	.0140 - .0200

See pages 175-176 for Tap & Drill Selection Chart

Size	Decimal Equiv.	Flute Length	Overall Length	Carded Item #	Bulk Item #
1/16"	.0625	7/8"	1-7/8"	3015004*	-
5/64"	.0781	1"	2"	3015005*	-
3/32"	.0938	1-1/8"	2-1/4"	3015006*	-
7/64"	.1094	1-1/2"	2-5/8"	3015007*	-
1/8"	.1250	1-5/8"	2-3/4"	3015008	-
9/64"	.1406	1-3/4"	2-7/8"	3015009	-
5/32"	.1563	2"	3-1/8"	3015010	-
11/64"	.1719	2-1/8"	3-1/4"	3015011	-
3/16"	.1875	2-5/16"	3-1/2"	3015012	-
13/64"	.2031	2-7/16"	3-5/8"	3015013	-
7/32"	.2188	2-1/2"	3-3/4"	3015014	-
15/64"	.2344	2-5/8"	3-7/8"	3015015	-
1/4"	.2500	2-3/4"	4"	3015016	-
17/64"	.2656	2-7/8"	4-1/8"	3015017	-
9/32"	.2813	2-15/16"	4-1/4"	3015018	-
19/64"	.2969	3-1/16"	4-3/8"	3015019	-
5/16"	.3125	3-3/16"	4-1/2"	3015020	-
21/64"	.3281	3-5/16"	4-5/8"	3015021	-
11/32"	.3438	3-7/16"	4-3/4"	3015022	-
23/64"	.3594	3-1/2"	4-7/8"	3015023	-
3/8"	.3750	3-5/8"	5"	3015024	-
25/64***	.3906	3-3/4"	5-1/8"	3015025	-
13/32***	.4063	3-7/8"	5-1/4"	3015026	-
27/64***	.4219	3-15/16"	5-3/8"	3015027	-
7/16**	.4375	4-1/16"	5-1/2"	3015028	-
29/64***	.4531	4-3/16"	5-5/8"	3015029	-
15/32***	.4688	4-5/16"	5-3/4"	3015030	-
31/64***	.4844	4-3/8"	5-7/8"	3015031	-
1/2***	.5000	4-1/2"	6"	3015032	-

*Note: 2 bits per Card

**Note: 3/8" reduced shank

Metal Drilling

Jobber Length Drill Bits

TURBOMAX® HSS Fractional Straight Shank Jobber Length Drill Bits (Series 733/731)



73124

- Self-centering, precision-ground TURBOMAX® feature-point tip eliminates “walking” on flat and curved surfaces, stays sharp longer, and drills faster than standard high speed steel bits.
- Manufactured with premium high speed steel with black and gold oxide coating for maximum corrosion resistance.
- 3-flatted shank on 3/16” and above sizes for exceptional grip on chuck.

Sets:

Metal Index: 73136, 73137, 73138, 73149

Pro Set Cases: 318015, 318018

Size	Decimal Equiv.	Flute Length	Overall Length	Carded Item #	Bulk Item #
1/16"	.0625	7/8"	1-7/8"	73304*	73104
5/64"	.0781	1"	2"	73305*	73105ZR
3/32"	.0938	1-1/8"	2-1/4"	73306*	73106ZR
7/64"	.1094	1-1/2"	2-5/8"	73307*	73107
1/8"	.1250	1-5/8"	2-3/4"	73308*	73108
9/64"	.1406	1-3/4"	2-7/8"	73309	73109
5/32"	.1563	2"	3-1/8"	73310	73110
11/64"	.1719	2-1/8"	3-1/4"	73311	73111
3/16"	.1875	2-5/16"	3-1/2"	73312	73112
13/64"	.2031	2-7/16"	3-5/8"	73313	73113
7/32"	.2188	2-1/2"	3-3/4"	73314	73114
15/64"	.2344	2-5/8"	3-7/8"	73315	73115
1/4"	.2500	2-3/4"	4"	73316	73116
17/64"	.2656	2-7/8"	4-1/8"	73317	73117
9/32"	.2813	2-15/16"	4-1/4"	73318ZR	73118
19/64"	.2969	3-1/16"	4-3/8"	73319	73119
5/16"	.3125	3-3/16"	4-1/2"	73320	73120
21/64"	.3281	3-5/16"	4-5/8"	73321	73121
11/32"	.3438	3-7/16"	4-3/4"	73322	73122
23/64"	.3594	3-1/2"	4-7/8"	73323	73123
3/8"	.3750	3-5/8"	5"	73324	73124
25/64"	.3906	3-3/4"	5-1/8"	73325	73125
13/32"	.4063	3-7/8"	5-1/4"	73326	73126
27/64"	.4219	3-15/16"	5-3/8"	73327	73127
7/16"	.4375	4-1/16"	5-1/2"	73328	73128
29/64"	.4531	4-3/16"	5-5/8"	73329	73129
15/32"	.4688	4-5/16"	5-3/4"	73330	73130
31/64"	.4844	4-3/8"	5-7/8"	73331	73131
1/2"	.5000	4-1/2"	6"	73332	73132

*Note: 2 bits per Card

METAL DRILLING

TURBOMAX® HSS 3/8" Reduced Shank Jobber Length Drill Bits (Series 736/734)



73432

- Standard TURBOMAX bit with 3/8" reduced shank

Sets:

Metal Index: 3018006B

Size	Decimal Equiv.	Flute Length	Overall Length	Carded Item #	Bulk Item #
25/64"	.3906	3-3/4"	5-1/8"	73625ZR	73425
13/32"	.4063	3-7/8"	5-1/4"	73626	73426
27/64"	.4219	3-15/16"	5-3/8"	73627ZR	73427
7/16"	.4375	4-1/16"	5-1/2"	73628ZR	73428ZR
29/64"	.4531	4-3/16"	5-5/8"	73629ZR	73429ZR
15/32"	.4688	4-5/16"	5-3/4"	73630ZR	73430
31/64"	.4844	4-3/8"	5-7/8"	73631	73431ZR
1/2"	.5000	4-1/2"	6"	73632	73432ZR

Cobalt HSS Fractional Straight Shank Jobber Length Drill Bits with 135° Point (Series 3016/631)



63124

- Engineered with Cobalt for high heat and abrasion resistance.
- 135° split-point tip starts drilling immediately and eliminates “walking.”
- Straight shank

Applications:

Tough metal drilling, including heavy-duty abrasive alloy metal drilling on hardened steel (heat-treated)

Sets:

Pro Set Case: 316015

Metal Index: 63137, 63221 (M35 grade, 5% Cobalt)

Pro Set Case: 316015

Metal Index: 3018002B (M42 grade, 8% Cobalt)

Size	Decimal Equiv.	Flute Length	Overall Length	Carded Item #	Bulk Item #
1/16"	.0625	7/8"	1-7/8"	3016004	63104
5/64"	.0781	1"	2"	3016005	63105ZR
3/32"	.0938	1-1/8"	2-1/4"	3016006	63106
7/64"	.1094	1-1/2"	2-5/8"	3016007	63107
1/8"	.1250	1-5/8"	2-3/4"	3016008	63108
9/64"	.1406	1-3/4"	2-7/8"	3016009	63109
5/32"	.1563	2"	3-1/8"	3016010	63110
11/64"	.1719	2-1/8"	3-1/4"	3016011	63111
3/16"	.1875	2-5/16"	3-1/2"	3016012	63112ZR
13/64"	.2031	2-7/16"	3-5/8"	3016013	63113ZR
7/32"	.2188	2-1/2"	3-3/4"	3016014	63114
15/64"	.2344	2-5/8"	3-7/8"	3016015	63115
1/4"	.2500	2-3/4"	4"	3016016	63116
17/64"	.2656	2-7/8"	4-1/8"	3016017	63117
9/32"	.2813	2-15/16"	4-1/4"	3016018	63118
19/64"	.2969	3-1/16"	4-3/8"	3016019	63119
5/16"	.3125	3-3/16"	4-1/2"	3016020	63120
21/64"	.3281	3-5/16"	4-5/8"	3016021	63121
11/32"	.3438	3-7/16"	4-3/4"	3016022	63122
23/64"	.3594	3-1/2"	4-7/8"	3016023	63123
3/8"	.3750	3-5/8"	5"	3016024	63124
25/64"	.3906	3-3/4"	5-1/8"	3016125	63125
13/32"	.4063	3-7/8"	5-1/4"	3016126	63126
27/64"	.4219	3-15/16"	5-3/8"	3016127	63127
7/16"	.4375	4-1/16"	5-1/2"	3016128	63128
29/64"	.4531	4-3/16"	5-5/8"	3016129	63129
15/32"	.4689	4-5/16"	5-3/4"	3016130	63130
31/64"	.4844	4-3/8"	5-7/8"	3016131ZR	63131
1/2"	.5000	4-1/2"	6"	3016132	63132

Cobalt HSS Fractional 3/8" Reduced Shank Jobber Length Drill Bits with 135° Point (Series 30160)



3016228

- Standard Cobalt bit with 3/8" reduced shank

Applications:

Tough metal drilling, including heavy-duty abrasive alloy metal drilling on hardened steel (heat-treated)

Sets:

Pro Set Case: 316015 (M35 grade);

Metal Index: 63137, 63221 (M35 grade); 3018002B (M42 grade)

Size	Decimal Equiv.	Flute Length	Overall Length	Carded Item #	Bulk Item #
25/64"	.3906	7/8"	1-7/8"	3016025	3016225
13/32"	.4063	1"	2"	3016026	3016226
27/64"	.4219	1-1/8"	2-1/4"	3016027	3016227
7/16"	.4375	1-1/2"	2-5/8"	3016028	3016228
29/64"	.4531	1-5/8"	2-3/4"	3016029	3016229
15/32"	.4689	1-3/4"	2-7/8"	3016030	3016230
31/64"	.4844	2"	3-1/8"	3016031ZR	3016231
1/2"	.5000	2-1/8"	3-1/4"	3016032	3016232

Metal Drilling

Jobber Length Drill Bits

Titanium Nitride (TiN) Coated HSS Fractional Straight Shank Jobber Length Drill Bits with 135° Split Point (Series 639/637)



63724

- Titanium Nitride coating resists heat and friction, providing up to six times longer life than standard high speed steel bits.
- 135° split-point tip starts drilling immediately and eliminates “walking.”
- Straight shank.

Sets:

Metal Index: 63737, 3018003

*Note: 2 bits per card

Size	Decimal Equiv.	Flute Length	Overall Length	Carded Item #	Bulk Item #
1/16"	.0625	7/8"	1-7/8"	63904*	63704ZR
5/64"	.0781	1"	2"	63905*	63705ZR
3/32"	.0938	1-1/8"	2-1/4"	63906*	63706ZR
7/64"	.1094	1-1/2"	2-5/8"	63907*	63707ZR
1/8"	.1250	1-5/8"	2-3/4"	63908*	63708
9/64"	.1406	1-3/4"	2-7/8"	63909	63709ZR
5/32"	.1563	2"	3-1/8"	63910	63710
11/64"	.1719	2-1/8"	3-1/4"	63911	63711ZR
3/16"	.1875	2-5/16"	3-1/2"	63912	63712
13/64"	.1563	2-7/16"	3-5/8"	63913	63713ZR
7/32"	.2188	2-1/2"	3-3/4"	63914	63714ZR
15/64"	.2344	2-5/8"	3-7/8"	63915	63715ZR
1/4"	.2500	2-3/4"	4"	63916	63716
17/64"	.2656	2-7/8"	4-1/8"	—	63717
9/32"	.2812	2-15/16"	4-1/4"	63918	63718
19/64"	.2969	3-1/16"	4-3/8"	—	63719
5/16"	.3125	3-3/16"	4-1/2"	63920	63720ZR
21/64"	.3281	3-5/16"	4-5/8"	—	63721ZR
11/32"	.3438	3-7/16"	4-3/4"	63922	63722
23/64"	.3594	3-1/2"	4-7/8"	—	63723
3/8"	.3750	3-5/8"	5"	63924	63724
25/64"	.3906	3-3/4"	5-1/8"	—	63725
13/32"	.4063	3-7/8"	5-1/4"	63926	63726
27/64"	.4219	3-15/16"	5-3/8"	—	63727
7/16"	.4375	4-1/16"	5-1/2"	63928	63728
29/64"	.4531	4-3/16"	5-5/8"	—	63729
15/32"	.4689	4-5/16"	5-3/4"	63930	63730
31/64"	.4844	4-3/8"	5-7/8"	—	63731ZR
1/2"	.5000	4-1/2"	6"	63932	63732ZR

METAL DRILLING

Black & Gold HSS Fractional Straight Shank Jobber Length Drill Bits with 135° Split Point (Series 30190)



3019016B

- 135° split-point tip starts drilling immediately and eliminates “walking.”
- Engineered with premium high speed steel with black and gold oxide coating for corrosion resistance.
- 3-flatted shank on 3/16" and above sizes for exceptional grip on chuck.

Size	Decimal Equiv.	Flute Length	Overall Length	Carded Item #	Bulk Item #
3/64"	.0469	3/4"	1-3/4"	—	3019003B
1/16"	.0625	7/8"	1-7/8"	—	3019004B
5/64"	.0781	1"	2"	—	3019005B
3/32"	.0938	1-1/8"	2-1/4"	—	3019006B
7/64"	.1094	1-1/2"	2-5/8"	—	3019007B
1/8"	.1250	1-5/8"	2-3/4"	—	3019008B
9/64"	.1406	1-3/4"	2-7/8"	—	3019009B
5/32"	.1563	2"	3-1/8"	—	3019010B
11/64"	.1719	2-1/8"	3-1/4"	—	3019011B
3/16"	.1875	2-5/16"	3-1/2"	—	3019012B
13/64"	.2031	2-7/16"	3-5/8"	—	3019013B
7/32"	.2188	2-1/2"	3-3/4"	—	3019014B
15/64"	.2344	2-5/8"	3-7/8"	—	3019015B
1/4"	.2500	2-3/4"	4"	—	3019016B
17/64"	.2656	2-7/8"	4-1/8"	—	3019017B
9/32"	.2813	2-15/16"	4-1/4"	—	3019018B
19/64"	.2969	3-1/16"	4-3/8"	—	3019019B
5/16"	.3125	3-3/16"	4-1/2"	—	3019020B
21/64"	.3281	3-5/16"	4-5/8"	—	3019021B
11/32"	.3438	3-7/16"	4-3/4"	—	3019022B
23/64"	.3594	3-1/2"	4-7/8"	—	3019023B
3/8"	.3750	3-5/8"	5"	—	3019024B
25/64"	.3906	3-3/4"	5-1/8"	—	3019025B
13/32"	.4063	3-7/8"	5-1/4"	—	3019026B
27/64"	.4219	3-15/16"	5-3/8"	—	3019027B
7/16"	.4375	4-1/16"	5-1/2"	—	3019028B
29/64"	.4531	4-3/16"	5-5/8"	—	3019029B
15/32"	.4688	4-5/16"	5-3/4"	—	3019030B
31/64"	.4844	4-3/8"	5-7/8"	—	3019031B
1/2"	.5000	4-1/2"	6"	—	3019032B

Black & Gold HSS Fractional 3/8" Reduced Shank Jobber Length Drill Bits with 135° Split Point (Series 30191)



3019128B

- Standard Black & Gold bit with 3/8" reduced shank

Set:

Metal Index: 3018005

Size	Decimal Equiv.	Flute Length	Overall Length	Carded Item #	Bulk Item #
25/64"	.3906	3-3/4"	5-1/8"	—	3019125B
13/32"	.4063	3-7/8"	5-1/4"	—	3019126B
27/64"	.4219	3-15/16"	5-3/8"	—	3019127B
7/16"	.4375	4-1/16"	5-1/2"	—	3019128B
29/64"	.4531	4-3/16"	5-5/8"	—	3019129B
15/32"	.4688	4-5/16"	5-3/4"	—	3019130B
31/64"	.4844	4-3/8"	5-7/8"	—	3019131B
1/2"	.5000	4-1/2"	6"	—	3019132B

Black Oxide HSS Fractional Straight Shank Jobber Length Drill Bits with 135° Split Point (Series 675/635)



63524ZR

- 135° split-point tip starts drilling immediately and eliminates "walking."
- Manufactured with premium high speed steel with black oxide coating for corrosion resistance.
- Straight shank

Set:

Pro Set Cases: 314015

Size	Decimal Equiv.	Flute Length	Overall Length	Carded Item #	Bulk Item #
3/64"	.0469	3/4"	1-3/4"	—	63503
1/16"	.0625	7/8"	1-7/8"	67504*	63504
5/64"	.0781	1"	2"	67505*	63505
3/32"	.0938	1-1/8"	2-1/4"	67506*	63506
7/64"	.1094	1-1/2"	2-5/8"	67507*	63507
1/8"	.1250	1-5/8"	2-3/4"	67508*	63508
9/64"	.1406	1-3/4"	2-7/8"	67509	63509
5/32"	.1563	2"	3-1/8"	67510	63510
11/64"	.1719	2-1/8"	3-1/4"	67511	63511
3/16"	.1875	2-5/16"	3-1/2"	67512	63512
13/64"	.2031	2-7/16"	3-5/8"	67513	63513
7/32"	.2188	2-1/2"	3-3/4"	67514	63514
15/64"	.2344	2-5/8"	3-7/8"	67515	63515
1/4"	.2500	2-3/4"	4"	67516	63516
17/64"	.2656	2-7/8"	4-1/8"	67517	63517
9/32"	.2813	2-15/16"	4-1/4"	67518	63518
19/64"	.2969	3-1/16"	4-3/8"	67519	63519
5/16"	.3125	3-3/16"	4-1/2"	67520	63520ZR
21/64"	.3281	3-5/16"	4-5/8"	67521	63521ZR
11/32"	.3438	3-7/16"	4-3/4"	67522	63522ZR
23/64"	.3594	3-1/2"	4-7/8"	67523	63523ZR
3/8"	.3750	3-5/8"	5"	67524	63524ZR
25/64"	.3906	3-3/4"	5-1/8"	67525	63525ZR
13/32"	.4063	3-7/8"	5-1/4"	67526	63526ZR
27/64"	.4219	3-15/16"	5-3/8"	67527	63527ZR
7/16"	.4375	4-1/16"	5-1/2"	67528	63528ZR
29/64"	.4531	4-3/16"	5-5/8"	67529	63529ZR
15/32"	.4688	4-5/16"	5-3/4"	67530	63530
31/64"	.4844	4-3/8"	5-7/8"	67531	63531
1/2"	.5000	4-1/2"	6"	67532	63532

*Note: 2 bits per Card

Black Oxide HSS Fractional 3/8" Reduced Shank Jobber Length Drill Bits with 135° Split Point (Series 678/634)



63432

- Standard Black Oxide bit with 3/8" reduced shank

Sets:

Pro Set Case: 314018

Metal Index: 3018004

Size	Decimal Equiv.	Flute Length	Overall Length	Carded Item #	Bulk Item #
25/64"	.3906	3-3/4"	5-1/8"	67825	63425
13/32"	.4063	3-7/8"	5-1/4"	67826	63426
27/64"	.4219	3-15/16"	5-3/8"	67827	63427
7/16"	.4375	4-1/16"	5-1/2"	67828	63428
29/64"	.4531	4-3/16"	5-5/8"	67829	63429
15/32"	.4688	4-5/16"	5-3/4"	67830	63430
31/64"	.4844	4-3/8"	5-7/8"	67831	63431
1/2"	.5000	4-1/2"	6"	67832	63432

Metal Drilling

Jobber Length Drill Bits

Black Oxide 1/4" Hex Shank Drill Bits



4935636

- 135° split-point tip starts drilling immediately and eliminates "walking."
- Engineered with high speed steel with black oxide coating for corrosion resistance.
- 1/4" hex shank works in all Lock-n-Load® quick-change extensions as well as all drill chucks.

Applications:

Automotive, maintenance and repair, portable drills, stationary drill press

Sets:

5-piece Set: 4935642

12-piece Pro Set: 4935643

Size	Decimal Equiv.	Flute Length	Overall Length	Carded Item #	Bulk Item #
1/16"	0.0625	3/4"	2-5/8"	4935632	—
5/64"	0.0781	1"	2-3/4"	4935633	—
3/32"	0.0938	1-5/16"	3"	4935634	—
7/64"	0.1094	1-1/2"	3-7/16"	4935635	—
1/8"	0.1250	1-5/8"	3-1/2"	4935636	—
9/64"	0.1406	1-7/8"	3-3/16"	4935637	—
5/32"	0.1563	2-1/16"	3-15/16"	4935638	—
3/16"	0.1875	2-3/8"	4-1/4"	4935639	—
7/32"	0.2188	2-5/8"	4-1/2"	4935640	—
1/4"	0.2500	2-7/8"	4-3/4"	4935641	—

Left-Hand Heavy-Duty HSS Fractional Straight Shank Jobber Length Drill Bits (Series 623)



62324

- 135° split-point tip starts drilling immediately and eliminates "walking."
- Manufactured with premium high speed steel with black oxide coating for corrosion resistance.
- Straight shank

Applications:

General metal drilling or creating pilot holes for screw extractors.

Size	Flute Length	Overall Length	Carded Item #	Bulk Item #
1/16"	7/8"	1-7/8"	—	62304
5/64"	1"	2"	—	62305
3/32"	1-1/8"	2-1/4"	—	62306
7/64"	1-1/2"	2-5/8"	—	62307
1/8"	1-5/8"	2-3/4"	—	62308
9/64"	1-3/4"	2-7/8"	—	62309ZR
5/32"	2"	3-1/8"	—	62310
11/64"	2-1/8"	3-1/4"	—	62311
3/16"	2-5/16"	3-1/2"	—	62312
13/64"	2-7/16"	3-5/8"	—	62313
7/32"	2-1/2"	3-3/4"	—	62314
15/64"	2-5/8"	3-7/8"	—	62315
1/4"	2-3/4"	4"	—	62316
17/64"	2-7/8"	4-1/8"	—	62317
9/32"	2-15/16"	4-1/4"	—	62318
19/64"	3-1/16"	4-3/8"	—	62319
5/16"	3-3/16"	4-1/2"	—	62320
21/64"	3-5/16"	4-5/8"	—	62321
11/32"	3-7/16"	4-3/4"	—	62322
23/64"	3-1/2"	4-7/8"	—	62323
3/8"	3-5/8"	5"	—	62324
25/64"	3-3/4"	5-1/8"	—	62325
13/32"	3-7/8"	5-1/4"	—	62326
27/64"	3-15/16"	5-3/8"	—	62327
7/16"	4-1/16"	5-1/2"	—	62328
29/64"	4-3/16"	5-5/8"	—	62329
15/32"	4-5/16"	5-3/4"	—	62330
31/64"	4-3/8"	5-7/8"	—	62331
1/2"	4-1/2"	6"	—	62332

Black Oxide HSS Metric Straight Shank Jobber Length Drill Bits (Series 681)



68950

- 135° split-point tip starts drilling immediately and eliminates "walking."
- Manufactured with premium high speed steel with black oxide coating for corrosion resistance.
- Straight shank

Applications:

Automotive, maintenance and repair, portable drills, stationary drill press

General Purpose HSS Fractional Straight Shank Jobber Length Drill Bits with 118° Point (Series 605/601)



60124

- 118° chisel tip point is perfect for general purpose applications.
- Engineered with premium high speed steel in bright finish.
- Recommended for drilling in metal, wood, and plastic.
- Straight shank

Applications:

Automotive, maintenance and repair, stationary drill press

Sets:

Metal Index: 60136, 60137, 60138, 60221

Size	Decimal Equiv.	Flute Length	Overall Length	Carded Item #	Bulk Item #
1.00 mm	0.0394	11/16"	1-5/8"	—	68100
1.50 mm	0.0591	7/8"	1-7/8"	—	68150
2.00 mm	0.0787	1"	2"	—	68200
2.50 mm	0.0984	1-3/8"	2-3/8"	—	68250ZR
3.00 mm	0.1181	1-5/8"	2-3/4"	—	68300
3.50 mm	0.1378	1-3/4"	2-7/8"	—	68350
4.00 mm	0.1575	2-1/8"	3-1/4"	—	68400
4.50 mm	0.1772	2-3/16"	3-3/8"	—	68450
5.00 mm	0.1969	2-7/16"	3-5/8"	—	68500
5.50 mm	0.2165	2-1/2"	3-3/4"	—	68550ZR
6.00 mm	0.2362	2-3/4"	4"	—	68600
6.50 mm	0.2559	2-7/8"	4-1/8"	—	68650
7.00 mm	0.2756	2-7/8"	4-1/8"	—	68700
7.50 mm	0.2953	3-1/16"	4-3/8"	—	68750
8.00 mm	0.3150	3-3/16"	4-1/2"	—	68800
8.50 mm	0.3346	3-7/16"	4-3/4"	—	68850
9.00 mm	0.3543	3-1/2"	4-7/8"	—	68900
9.50 mm	0.3740	3-5/8"	5"	—	68950
10.00 mm	0.3937	3-3/4"	5-1/8"	—	69010
10.50 mm	0.4134	3-7/8"	5-1/4"	—	69015
11.00 mm	0.4331	4-1/16"	5-1/2"	—	6910ZR
11.50 mm	0.4528	4-3/16"	5-5/8"	—	69115ZR
12.00 mm	0.4724	4-3/8"	5-7/8"	—	69120ZR
12.50 mm	0.4921	4-1/2"	6"	—	69125ZR
13.00 mm	0.5118	4-1/2"	6"	—	69130ZR

Size	Decimal Equiv.	Flute Length	Overall Length	Carded Item #	Bulk Item #
1/64"	.0156	3/16"	3/4"	—	60101ZR
1/32"	.0313	1/2"	1-3/8"	—	60102ZR
3/64"	.0469	3/4"	1-3/4"	—	60103ZR
1/16"	.0625	7/8"	1-7/8"	60504*	60104ZR
5/64"	.0781	1"	2"	60505*	60105
3/32"	.0938	1-1/8"	2-1/4"	60506*	60106ZR
7/64"	.1094	1-1/2"	2-5/8"	60507*	60107
1/8"	.1250	1-5/8"	2-3/4"	60508*	60108ZR
9/64"	.1406	1-3/4"	2-7/8"	60509	60109
5/32"	.1563	2"	3-1/8"	60510ZR	60110
11/64"	.1719	2-1/8"	3-1/4"	60511	60111
3/16"	.1875	2-5/16"	3-1/2"	60512	60112
13/64"	.2031	2-7/16"	3-5/8"	60513	60113
7/32"	.2188	2-1/2"	3-3/4"	60514	60114
15/64"	.2344	2-5/8"	3-7/8"	60515	60115ZR
1/4"	.2500	2-3/4"	4"	60516	60116
17/64"	.2656	2-7/8"	4-1/8"	60517	60117ZR
9/32"	.2813	2-15/16"	4-1/4"	60518	60118
19/64"	.2969	3-1/16"	4-3/8"	60519	60119
5/16"	.3125	3-3/16"	4-1/2"	60520	60120
21/64"	.3281	3-5/16"	4-5/8"	60521	60121
11/32"	.3438	3-7/16"	4-3/4"	60522	60122
23/64"	.3594	3-1/2"	4-7/8"	60523	60123
3/8"	.3750	3-5/8"	5"	60524	60124
25/64"	.3906	3-3/4"	5-1/8"	60525	60125
13/32"	.4063	3-7/8"	5-1/4"	60526	60126ZR
27/64"	.4219	3-15/16"	5-3/8"	60527	60127
7/16"	.4375	4-1/16"	5-1/2"	60528	60128
29/64"	.4531	4-3/16"	5-5/8"	60529	60129
15/32"	.4688	4-5/16"	5-3/4"	60530	60130
31/64"	.4844	4-3/8"	5-7/8"	60531	60131
1/2"	.5000	4-1/2"	6"	60532	60132

*Note: 2 bits per Card

METAL DRILLING

Metal Drilling

Jobber Length Drill Bits

General Purpose HSS Fractional 3/8" Reduced Shank Jobber Length Drill Bits with 118° Point (Series 738/718)



71832

- Standard general purpose bit with 3/8" reduced shank

Applications:

Automotive, maintenance and repair, stationary drill press

Sets:

Metal Index: 60147, 60148

Size	Decimal Equiv.	Flute Length	Overall Length	Carded Item #	Bulk Item #
25/64"	.3906	3-3/4"	5-1/8"	73825	71825
13/32"	.4063	3-7/8"	5-1/4"	73826	71826
27/64"	.4219	3-15/16"	5-3/8"	73827	71827
7/16"	.4375	4-1/16"	5-1/2"	73828	71828
29/64"	.4531	4-3/16"	5-5/8"	73829	71829
15/32"	.4688	4-5/16"	5-3/4"	73830	71830
31/64"	.4844	4-3/8"	5-7/8"	73831	71831
1/2"	.5000	4-1/2"	6"	73832ZR	71832

General Purpose HSS Letter Size Straight Shank Jobber Length Drill Bits (Series 401)



40101ZR

- 135° split-point tip starts drilling immediately and eliminates "walking."
- Engineered with premium high speed steel in bright finish.
- Ideal for use when large, precisely-sized holes are required. Drills exact-sized hole for tapping applications.
- Straight shank

Applications:

Automotive, maintenance and repair, portable drills, stationary drill press

Size	Decimal Equiv.	Flute Length	Overall Length	Carded Item #	Bulk Item #
Letter A	0.2340	2-5/8"	3-7/8"	—	40101ZR
Letter B	0.2380	2-3/4"	4"	—	40102
Letter C	0.2420	2-3/4"	4"	—	40103ZR
Letter D	0.2460	2-3/4"	4"	—	40104ZR
Letter E	0.2500	2-3/4"	4"	—	40105
Letter F	0.2570	2-7/8"	4-1/8"	—	40106
Letter G	0.2610	2-7/8"	4-1/8"	—	40107
Letter H	0.2660	2-7/8"	4-1/8"	—	40108ZR
Letter I	0.2720	2-7/8"	4-1/8"	—	40109ZR
Letter J	0.2770	2-7/8"	4-1/8"	—	40110ZR
Letter K	0.2810	2-15/16"	4-1/4"	—	40111ZR
Letter L	0.2900	2-15/16"	4-1/4"	—	40112
Letter M	0.2950	3-1/16"	4-3/8"	—	40113
Letter N	0.3020	3-1/16"	4-3/8"	—	40114
Letter O	0.3160	3-3/16"	4-1/2"	—	40115
Letter P	0.3230	3-5/16"	4-5/8"	—	40116
Letter Q	0.3320	3-7/16"	4-3/4"	—	40117
Letter R	0.3390	3-7/16"	4-3/4"	—	40118
Letter S	0.3480	3-1/2"	4-7/8"	—	40119ZR
Letter T	0.3580	3-1/2"	4-7/8"	—	40120
Letter U	0.3680	3-5/8"	5"	—	40121
Letter V	0.3770	3-5/8"	5"	—	40122
Letter W	0.3860	3-3/4"	5-1/8"	—	40123
Letter X	0.3970	3-3/4"	5-1/8"	—	40124
Letter Y	0.4040	3-7/8"	5-1/4"	—	40125
Letter Z	0.4130	3-7/8"	5-1/4"	—	40126

General Purpose HSS Wire Gauge Straight Shank Jobber Length Drill Bits (Series 811)



80128

- 118° chisel point tip is perfect for general purpose applications.
- Engineered with premium high speed steel in bright finish.
- Ideal for use when non-fractional-sized holes are required. Drills exact-sized hole for tapping applications.
- Straight shank

Applications: Automotive, maintenance and repair, portable drills, stationary drill press

Sets:

Metal index: 80181, 80183

Size	Decimal Equiv.	Flute Length	Overall Length	Carded Item #	Bulk Item #
No. 1	.2280	2-5/8"	3-7/8"	81101	80101
No. 2	.2210	2-5/8"	3-7/8"	81102	80102ZR
No. 3	.2130	2-1/2"	3-3/4"	81103	80103ZR
No. 4	.2090	2-1/2"	3-3/4"	81104	80104
No. 5	.2055	2-1/2"	3-3/4"	81105	80105
No. 6	.2040	2-1/2"	3-3/4"	81106	80106
No. 7	.2010	2-7/16"	3-5/8"	81107	80107
No. 8	.1990	2-7/16"	3-5/8"	81108	80108
No. 9	.1960	2-7/16"	3-5/8"	81109	80109
No. 10	.1935	2-7/16"	3-5/8"	81110ZR	80110
No. 11	.1910	2-5/16"	3-1/2"	81111	80111
No. 12	.1890	2-5/16"	3-1/2"	81112	80112
No. 13	.1850	2-5/16"	3-1/2"	81113	80113
No. 14	.1820	2-3/16"	3-3/8"	81114	80114
No. 15	.1800	2-3/16"	3-3/8"	81115	80115
No. 16	.1770	2-3/16"	3-3/8"	81116	80116
No. 17	.1730	2-3/16"	3-3/8"	81117	80117
No. 18	.1695	2-1/8"	3-1/4"	81118	80118
No. 19	.1660	2-1/8"	3-1/4"	81119	80119
No. 20	.1610	2-1/8"	3-1/4"	81120ZR	80120
No. 21	.1590	2-1/8"	3-1/4"	81121	80121
No. 22	.1570	2"	3-1/8"	81122ZR	80122
No. 23	.1540	2"	3-1/8"	81123ZR	80123
No. 24	.1520	2"	3-1/8"	81124ZR	80124
No. 25	.1495	1-7/8"	3"	81125	80125ZR
No. 26	.1470	1-7/8"	3"	81126	80126
No. 27	.1440	1-7/8"	3"	81127ZR	80127
No. 28	.1405	1-3/4"	2-7/8"	81128ZR	80128
No. 29	.1360	1-3/4"	2-7/8"	81129	80129
No. 30	.1285	1-5/8"	2-3/4"	81130ZR	80130
No. 31	.1200	1-5/8"	2-3/4"	81131	80131
No. 32	.1160	1-5/8"	2-3/4"	81132	80132
No. 33	.1130	1-1/2"	2-5/8"	81133	80133
No. 34	.1110	1-1/2"	2-5/8"	81134	80134
No. 35	.1100	1-1/2"	2-5/8"	81135	80135
No. 36	.1065	1-7/16"	2-1/2"	81136	80136
No. 37	.1040	1-7/16"	2-1/2"	81137	80137
No. 38	.1015	1-7/16"	2-1/2"	81138	80138
No. 39	.0995	1-3/8"	2-3/8"	81139	80139
No. 40	.0980	1-3/8"	2-3/8"	81140	80140

Size	Decimal Equiv.	Flute Length	Overall Length	Carded Item #	Bulk Item #
No. 41	.0960	1-3/8"	2-3/8"	81141	80141
No. 42	.0935	1-1/8"	2-1/4"	81142	80142
No. 43	.0890	1-1/8"	2-1/4"	81143	80143
No. 44	.0860	1-1/8"	2-1/8"	81144	80144
No. 45	.0820	1-1/8"	2-1/8"	81145	80145
No. 46	.0810	1-1/8"	2-1/8"	81146	80146
No. 47	.0785	1"	2"	81147	80147
No. 48	.0760	1"	2"	81148	80148
No. 49	.0730	1"	2"	81149	80149
No. 50	.0700	1"	2"	81150	80150
No. 51	.0670	1"	2"	81151	80151
No. 52	.0635	7/8"	1-7/8"	81152	80152ZR
No. 53	.0595	7/8"	1-7/8"	81153ZR	80153
No. 54	.0550	7/8"	1-7/8"	81154	80154
No. 55	.0520	7/8"	1-7/8"	81155	80155
No. 56	.0465	3/4"	1-3/4"	81156	80156
No. 57	.0430	3/4"	1-3/4"	81157ZR	80157
No. 58	.0420	11/16"	1-5/8"	81158	80158
No. 59	.0410	11/16"	1-5/8"	81159ZR	80159
No. 60	.0400	11/16"	1-5/8"	81160	80160
No. 61	.0390	11/16"	1-5/8"	—	80161
No. 62	.0380	5/8"	1-1/2"	—	80162
No. 63	.0370	5/8"	1-1/2"	—	80163
No. 64	.0360	5/8"	1-1/2"	—	80164
No. 65	.0350	5/8"	1-1/2"	—	80165
No. 66	.0330	1/2"	1-3/8"	—	80166
No. 67	.0320	1/2"	1-3/8"	—	80167
No. 68	.0310	1/2"	1-3/8"	—	80168
No. 69	.0292	1/2"	1-3/8"	—	80169
No. 70	.0280	3/8"	1-1/4"	—	80170
No. 71	.0260	3/8"	1-1/4"	—	80171
No. 72	.0250	5/16"	1-1/8"	—	80172
No. 73	.0240	5/16"	1-1/8"	—	80173
No. 74	.0225	1/4"	1"	—	80174ZR
No. 75	.0210	1/4"	1"	—	80175
No. 76	.0200	3/16"	7/8"	—	80176
No. 77	.0180	3/16"	7/8"	—	80177
No. 78	.0160	3/16"	7/8"	—	80178
No. 79	.0145	1/8"	3/4"	—	80179
No. 80	.0135	1/8"	3/4"	—	80180

METAL DRILLING

Metal Drilling

Mechanics Length / Screw Machine Length Drill Bits

Left-Hand Cobalt HSS Fractional Mechanics Length Drill Bits with 135° Split Point (Series 305)



30524

- 8% Cobalt alloyed for higher heat and abrasion resistance.
- Shorter drill for additional strength.
- Drill into fasteners without tightening them.
- Can often remove broken fasteners without an extractor.

Sets:

5-piece Set: 30520

Size	Decimal Equiv.	Flute Length	Overall Length	Carded Item #	Bulk Item #
5/64"	.0781	1"	2"	—	30505ZR
7/64"	.1094	1"	2-3/16"	—	30507
1/8"	.1250	1-1/16"	2-1/4"	—	30508
5/32"	.1563	1-1/4"	2-9/16"	—	30510
3/16"	.1875	1-1/2"	2-7/8"	—	30512ZR
7/32"	.2188	1-5/8"	3-1/8"	—	30514
1/4"	.2500	1-3/4"	3-5/16"	—	30516
9/32"	.2812	2"	3-9/16"	—	30518ZR
19/64"	.2969	2-1/16"	3-5/8"	—	30519
5/16"	.3125	2-1/8"	3-3/4"	—	31520
11/32"	.3438	2-1/4"	3-15/16"	—	30522
3/8"	.3750	2-3/8"	4-1/8"	—	30524
13/32"	.4062	2-1/2"	4-3/8"	—	30526ZR
7/16"	.4375	2-5/8"	4-9/16"	—	30528
15/32"	.4688	2-3/4"	4-3/4"	—	30530
1/2"	.5000	2-7/8"	5"	—	30532

HSS Fractional Screw Machine Length Drill Bits (Series 301)



30132

- 135° split-point tip starts drilling immediately and eliminates "walking."
- Engineered with premium high speed steel with black oxide coating for corrosion resistance.
- Shorter length for increased strength and rigidity (commonly known as "stubbies").
- Straight shank

Applications:

Industrial applications, maintenance and repair, automotive, machine shop

Size	Decimal Equiv.	Flute Length	Overall Length	Carded Item #	Bulk Item #
1/16"	.0625	5/8"	1-5/8"	—	30104
5/64"	.0781	11/16"	1-11/16"	—	30105
3/32"	.0938	3/4"	1-3/4"	—	30106
7/64"	.1094	13/16"	1-13/16"	—	30107
1/8"	.1250	7/8"	1-7/8"	—	30108
9/64"	.1406	15/16"	1-15/16"	—	30109
5/32"	.1562	1"	2-1/16"	—	30110
11/64"	.1719	1-1/16"	2-1/8"	—	30111
3/16"	.1875	1-1/8"	2-3/16"	—	30112ZR
13/64"	.2031	1-3/16"	2-1/4"	—	30113
7/32"	.2188	1-1/4"	2-3/8"	—	30114
15/64"	.2344	1-5/16"	2-7/16"	—	30115
1/4"	.2500	1-3/8"	2-1/2"	—	30116
17/64"	.2656	1-7/16"	2-5/8"	—	30117
9/32"	.2813	1-1/2"	2-11/16"	—	30118
19/64"	.2969	1-9/16"	2-3/4"	—	30119
5/16"	.3125	1-5/8"	2-13/16"	—	30120
21/64"	.3281	1-11/16"	2-15/16"	—	30121
11/32"	.3438	1-11/16"	3"	—	30122ZR
23/64"	.3594	1-3/4"	3-1/16"	—	30123
3/8"	.3750	1-13/16"	3-1/8"	—	30124
25/64"	.3906	1-7/8"	3-1/4"	—	30125
13/32"	.4063	1-15/16"	3-5/16"	—	30126
27/64"	.4219	2"	3-3/8"	—	30127ZR
7/16"	.4375	2-1/16"	3-7/16"	—	30128ZR
29/64"	.4531	2-1/8"	3-9/16"	—	30129ZR
15/32"	.4689	2-1/8"	3-5/8"	—	30130
31/64"	.4844	2-3/16"	3-11/16"	—	30131
1/2"	.5000	2-1/4"	3-3/4"	—	30132ZR

HSS Wire Gauge Screw Machine Length Drill Bits (Series 201)



20120

- Engineered with premium high speed steel with black oxide coating for corrosion resistance.
- Numbered from 1 to 55 (large to small).
- Ideal for use when non-fractional-sized holes are required. Drills exact-sized hole for tapping applications.
- Shorter length for increased strength and rigidity.

Applications:

Industrial applications, maintenance and repair, automotive, machine shop

Size	Decimal Equiv.	Flute Length	Overall Length	Carded Item #	Bulk Item #
No. 1	.2280	1-5/16"	2-7/16"	—	20101ZR
No. 2	.2210	1-5/16"	2-7/16"	—	20102
No. 3	.2130	1-1/4"	2-3/8"	—	20103
No. 4	.2090	1-1/4"	2-3/8"	—	20104
No. 5	.2055	1-1/4"	2-3/8"	—	20105
No. 6	.2040	1-1/4"	2-3/8"	—	20106
No. 7	.2010	1-3/16"	2-1/4"	—	20107
No. 8	.1190	1-3/16"	2-1/4"	—	20108
No. 9	.1960	1-3/16"	2-1/4"	—	20109
No. 10	.1935	1-3/16"	2-1/4"	—	20110
No. 11	.1910	1-3/16"	2-1/4"	—	20111
No. 12	.1890	1-3/16"	2-1/4"	—	20112
No. 13	.1850	1-1/8"	2-3/16"	—	20113
No. 14	.1820	1-1/8"	2-3/16"	—	20114
No. 15	.1800	1-1/8"	2-3/16"	—	20115
No. 16	.1770	1-1/8"	2-3/16"	—	20116
No. 17	.1730	1-1/8"	2-3/16"	—	20117
No. 18	.1695	1-1/16"	2-1/8"	—	20118
No. 19	.1660	1-1/16"	2-1/8"	—	20119
No. 20	.1610	1-1/16"	2-1/8"	—	20120
No. 21	.1590	1-1/16"	2-1/8"	—	20121
No. 22	.1570	1-1/16"	2-1/8"	—	20122
No. 23	.1540	1"	2-1/16"	—	20123
No. 24	.1520	1"	2-1/16"	—	20124
No. 25	.1495	1"	2-1/16"	—	20125
No. 26	.1470	1"	2-1/16"	—	20126
No. 27	.1440	1"	2-1/16"	—	20127ZR
No. 28	.1405	15/16"	1-15/16"	—	20128ZR
No. 29	.1360	15/16"	1-15/16"	—	20129
No. 30	.1285	15/16"	1-15/16"	—	20130
No. 31	.1200	7/8"	1-7/8"	—	20131
No. 32	.1160	7/8"	1-7/8"	—	20132
No. 33	.1130	7/8"	1-7/8"	—	20133
No. 34	.1110	7/8"	1-7/8"	—	20134
No. 35	.1100	7/8"	1-7/8"	—	20135
No. 36	.1065	13/16"	1-13/16"	—	20136
No. 37	.1040	13/16"	1-13/16"	—	20137ZR
No. 38	.1015	13/16"	1-13/16"	—	20138ZR
No. 39	.0995	13/16"	1-13/16"	—	20139ZR
No. 40	.0980	13/16"	1-13/16"	—	20140
No. 41	.0960	13/16"	1-13/16"	—	20141
No. 42	.0935	3/4"	1-3/4"	—	20142ZR
No. 43	.0890	3/4"	1-3/4"	—	20143
No. 44	.0860	3/4"	1-3/4"	—	20144
No. 45	.0820	3/4"	1-3/4"	—	20145
No. 46	.0810	3/4"	1-3/4"	—	20146
No. 47	.0785	11/16"	1-11/16"	—	20147
No. 48	.0760	11/16"	1-11/16"	—	20148
No. 49	.0730	11/16"	1-11/16"	—	20149
No. 50	.0700	11/16"	1-11/16"	—	20150
No. 51	.0670	11/16"	1-11/16"	—	20151
No. 52	.0635	11/16"	1-11/16"	—	20152
No. 53	.0595	5/8"	1-5/8"	—	20153
No. 54	.0550	5/8"	1-5/8"	—	20154
No. 55	.0520	5/8"	1-5/8"	—	20155

METAL DRILLING

Metal Drilling

Silver & Deming Drill Bits

Silver and Deming (S&D) HSS Fractional 1/2" Reduced Shank Drill Bits with 118° Point (Series 911/901)



91148

- 118° chisel point tip is perfect for general purpose applications.
- Engineered with premium high speed steel with black oxide coating for corrosion resistance.
- Ideal for heavy-duty metal drilling, automotive, body shop, and fabrication applications.
- 1/2" reduced shank with 3-flats grips securely.

Applications:

Heavy-duty metal drilling, automotive, body shop, metal fabrication

Sets:

8-Piece Set: 90108

Size	Decimal Equivalent.	Flute Length	Overall Length	Tubed Item #
33/64"	.5156	3"	6"	91133
17/32"	.5313	3"	6"	91134
35/64"	.5469	3"	6"	91135
9/16"	.5625	3"	6"	91136
37/64"	.5781	3"	6"	91137
19/32"	.5938	3"	6"	91138
39/64"	.6094	3"	6"	91139
5/8"	.6250	3"	6"	91140
41/64"	.6406	3"	6"	91141
21/32"	.6563	3"	6"	91142
43/64"	.6719	3"	6"	91143
11/16"	.6875	3"	6"	91144
45/64"	.7031	3"	6"	91145
23/32"	.7188	3"	6"	91146
47/64"	.7344	3"	6"	91147
3/4"	.7500	3"	6"	91148
49/64"	.7656	3"	6"	91149
25/32"	.7812	3"	6"	91150
51/64"	.7969	3"	6"	91151
13/16"	.8125	3"	6"	91152
53/64"	.8281	3"	6"	91153
27/32"	.8438	3"	6"	91154
55/64"	.8594	3"	6"	91155ZR
7/8"	.8750	3"	6"	91156
57/64"	.8906	3"	6"	91157
29/32"	.9062	3"	6"	91158
59/64"	.9219	3"	6"	91159
15/16"	.9375	3"	6"	91160
61/64"	.9531	3"	6"	91161
31/32"	.9688	3"	6"	91162
63/64"	.9844	3"	6"	91163
1"	1.000	3"	6"	91164
1-1/64"	1.0156	3"	6"	90165
1-1/32"	1.0313	3"	6"	90166
1-1/16"	1.0625	3"	6"	90168
1-3/32"	1.0938	3"	6"	90170
1-1/8"	1.1250	3"	6"	90172
1-5/32"	1.1563	3"	6"	90174
1-3/16"	1.1875	3"	6"	90176
1-1/4"	1.2500	3"	6"	90180
1-5/16"	1.3125	3"	6"	90184
1-3/8"	1.3750	3"	6"	90188
1-7/16"	1.4375	3"	6"	90192
1-1/2"	1.5000	3"	6"	90196

12" Aircraft Extension HSS Fractional Straight Shank Drill Bits with 135° Split Point (Series 621/612)

61224

- 135° split-point tip starts drilling immediately and eliminates "walking."
- Engineered with premium high speed steel with black oxide coating for corrosion resistance.
- Ideal for applications requiring an extended reach. Not recommended for deep drilling applications.
- Straight shank

Size	Decimal Equiv.	Flute Length	Overall Length	Carded Item #	Bulk Item #
1/16"	.0625	7/8"	12"	62104ZR	61204
3/32"	.0938	1-1/4"	12"	—	61206
1/8"	.1250	1-5/8"	12"	62108	61208
5/32"	.1563	2"	12"	—	61210
3/16"	.1875	2-5/16"	12"	62112ZR	61212
7/32"	.2188	2-1/2"	12"	—	61214
1/4"	.2500	2-3/4"	12"	62116	61216
9/32"	.2813	2-15/16"	12"	—	61218
5/16"	.3125	3-3/16"	12"	62120	61220
11/32"	.3438	3-7/16"	12"	—	61222
3/8"	.3750	3-5/8"	12"	62124	61224
13/32"	.4063	3-7/8"	12"	—	61226
7/16"	.4375	4-1/16"	12"	62128	61228
15/32"	.4688	4-5/16"	12"	—	61230
1/2"	.5000	4-1/2"	12"	62132	61232ZR

6" Aircraft Extension HSS Fractional Straight Shank Drill Bits with 135° Split Point (Series 667/666)

66624

- 135° split-point tip starts drilling immediately and eliminates "walking."
- Engineered with premium high speed steel with black oxide coating for corrosion resistance.
- Ideal for applications requiring an extended reach. Not recommended for deep drilling applications.
- Straight shank

Size	Decimal Equiv.	Flute Length	Overall Length	Carded Item #	Bulk Item #
1/16"	.0625	7/8"	6"	66704ZR	66604ZR
5/64"	.0781	1"	6"	—	66605
3/32"	.0938	1-1/4"	6"	—	66606
7/64"	.1094	1-1/2"	6"	—	66607
1/8"	.1250	1-5/8"	6"	66708	66608
9/64"	.1406	1-3/4"	6"	—	66609
5/32"	.1563	2"	6"	66710	66610
11/64"	.1719	2-1/8"	6"	—	66611
3/16"	.1875	2-5/16"	6"	66712	66612
13/64"	.2031	2-7/16"	6"	—	66613
7/32"	.2188	2-1/2"	6"	66714	66614
15/64"	.2344	2-5/8"	6"	—	66615
1/4"	.2500	2-3/4"	6"	66716	66616
17/64"	.2656	2-7/8"	6"	—	66617ZR
9/32"	.2813	2-15/16"	6"	—	66618
19/64"	.2969	3-1/16"	6"	—	66619
5/16"	.3125	3-3/16"	6"	66720ZR	66620
21/64"	.3281	3-5/16"	6"	—	66621
11/32"	.3438	3-7/16"	6"	—	66622
23/64"	.3594	3-1/2"	6"	—	66623
3/8"	.3750	3-5/8"	6"	66724	66624
25/64"	.3906	3-3/4"	6"	—	66625
13/32"	.4063	3-7/8"	6"	—	66626
27/64"	.4219	3-15/16"	6"	—	66627
7/16"	.4375	4-1/16"	6"	66728	66628
15/32"	.4688	4-5/16"	6"	—	66630
1/2"	.5000	4-1/2"	6"	66732	66632

METAL DRILLING

Metal Drilling

Special Purpose Drilling

Double-End HSS Drill Bits (Series 606/616)



10228

- 135° split-point tip starts drilling immediately and eliminates "walking."
- Engineered with premium high speed steel with black oxide coating for corrosion resistance.
- Drills twice as many holes as a single-end drill bit.

Applications:

General metal drilling in tight spaces, drilling sheet metal for rivets and fasteners

Size	Decimal Equiv.	Flute Length	Overall Length	Carded Item #	Bulk Item #
7/64"	.1094	5/8"	1-7/8"	—	60607
1/8"	.1250	5/8"	2"	—	60608
9/64"	.1406	5/8"	2"	—	60609
5/32"	.1563	5/8"	2-1/16"	—	60610
3/16"	.1875	5/8"	2-3/16"	—	60612
7/32"	.2188	11/16"	2-3/8"	—	60614
1/4"	.2500	7/8"	2-1/2"	—	60616
#11	.1910	11/16"	2-1/4"	—	61611
#20	.1600	5/8"	2-1/8"	—	61620
#30	.1285	5/8"	2"	—	61630

High Speed Steel Countersinks



12413

- Tip is milled and precision-ground to 82-degrees for countersinking into most machinable materials.
- Engineered with premium high speed steel with black oxide coating for corrosion resistance.
- Features five flutes for reduced vibration.
- 1/4" round shank

Size	Decimal Equiv.	Flute Length	Overall Length	Carded Item #	Bulk Item #
1/2"	.5000	3/8"	1-5/8"	12411	—
5/8"	.6250	7/16"	1-3/4"	12412	—
3/4"	.7500	1/2"	1-13/16"	12413	—

29-piece Metal Index Drill Bit Sets

Automatic Indexing

- For easy bit access and identification

Removable Cartridges

- Allows for easy transport to worksite

Rubber Over-Molded Case

- Protects case if dropped



3018003

3 Easy Steps to Open Case and Remove a Cartridge



Slide Latch



Open Case



Remove Cartridge

Description	Type	Contents	Point	Finish	Item #
29-Piece Set	Cobalt M42 HSS Fractional	1/16" - 1/2" by 64ths	135°	Cobalt	3018002B
29-Piece Set*	Cobalt M35 HSS Fractional	1/16" - 1/2" by 64ths	135°	Cobalt	3018002
29-Piece Set*	TiN HSS Fractional	1/16" - 1/2" by 64ths	135°	TiN Coated	3018003
29-Piece Set*	Heavy-Duty HSS Fractional	1/16" - 1/2" by 64ths	135°	Black Oxide	3018004
29-Piece Set*	Black & Gold HSS Fractional	1/16" - 1/2" by 64ths	135°	Black & Gold Oxide	3018005
29-Piece Set*	TURBOMAX HSS Fractional	1/16" - 1/2" by 64ths	TURBOMAX	Black & Gold Oxide	3018006B
29-Piece Set*	TURBOMAX Titanium Fractional	1/16" - 1/2" by 64ths	TURBOMAX	TiN Coated	3018011
29-Piece Set*	29-Piece Set Empty Case	-	-	-	3018006MT

*Note: 3/8" Reduced Shank

29-piece Metal Index Drill Bit Set



73138

21-piece Metal Index Drill Bit Set



73149

13-piece Metal Index Drill Bit Set



73136

Description	Type	Contents	Point	Finish	Item #
Straight Shank Sets					
13-Piece Set	Gen. Purp. HSS Fractional	1/16" - 1/4" by 64ths	118°	Bright	60136
15-Piece Set	Gen. Purp. HSS Fractional	1/16" - 1/2" by 32nds	118°	Bright	60137
21-Piece Set	Gen. Purp. HSS Fractional	1/16" - 3/8" by 64ths	118°	Bright	60221
29-Piece Set	Gen. Purp. HSS Fractional	1/16" - 1/2" by 64ths	118°	Bright	60138
60-Piece Set	Gen. Purp. HSS Wire Gauge	#1 - #60	118°	Bright	80181
20-Piece Set	Gen. Purp. HSS Wire Gauge	#61 - #80	118°	Bright	80183
15-Piece Set	Heavy Duty HSS Fractional	1/16" - 1/2" by 32nds	135°	Black Oxide	63537
15-Piece Set	Cobalt HSS Fractional	1/16" - 1/2" by 32nds	135°	Cobalt	63137
21-Piece Set	Cobalt HSS Fractional	1/16" - 3/8" by 64ths	135°	Cobalt	63221
15-Piece Set	TiN HSS Fractional	1/16" - 1/2" by 32nds	135°	TiN Coated	63737
13-Piece Set	TURBOMAX HSS Fractional	1/16" - 1/4" by 64ths	TURBOMAX	Black & Gold Oxide	73136
15-Piece Set	TURBOMAX HSS Fractional	1/16" - 1/2" by 32nds	TURBOMAX	Black & Gold Oxide	73137
29-Piece Set	TURBOMAX HSS Fractional	1/16" - 1/2" by 64ths	TURBOMAX	Black & Gold Oxide	73138
21-Piece Set	TURBOMAX HSS Fractional	1/16" - 3/8" by 64ths	TURBOMAX	Black & Gold Oxide	73149
Reduced Shank Sets					
15-Piece Set	Gen. Purp. HSS Fractional 3/8"	1/16" - 1/2" by 32nds	118°	Bright	60147
29-Piece Set	Gen. Purp. HSS Fractional 3/8"	1/16" - 1/2" by 64ths	118°	Bright	60148
8-Piece Set	Silver & Deming (S&D) HSS Fractional 1/2"	9/16" - 1" by 32nds	118°	Black Oxide & Bright	90108
1/4" Hex Shank Sets					
5-Piece Set	Heavy Duty HSS Fractional	3/32", 7/64", 1/8", 6/64", & 5/32"	135°	Black Oxide	4935642

Metal Drilling

Drill Bit Sets / Gauges

Pro Set Cases



314018



318015



316015



4935643

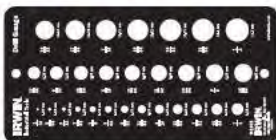


3018009

METAL DRILLING

Description	Type	Contents	Point	Finish	Item #
15-Piece Set	Black Oxide HSS Fractional Straight Shank Jobber Length	1/16" - 3/8"	135°	Black Oxide	314015
18-Piece Set	Black Oxide HSS Fractional Jobber Length	1/16" - 1/2" with 3/8" Reduced Shank	135°	Black Oxide	314018
20-Piece Set	Drill/Drive Set with Black Oxide HSS Drills and Screwdriver Bits	1/16" (2), 3/32", 1/8" (2), 5/32", 3/16", 1/4" Drills and 12 Screwdriver and Nutdriver Bits	135°	Black Oxide	357020
15-Piece Set	Cobalt HSS Fractional Straight Shank Jobber Length	1/16" - 3/8"	135°	Cobalt	316015
15-Piece Set	TURBOMAX® HSS Fractional Straight Shank Jobber	Length 1/16"-3/8"	TURBOMAX	Black & Gold Oxide	318015
18-Piece Set	TURBOMAX HSS Fractional Jobber	Length 1/16"-1/2" with 3/8" Reduced Shank	TURBOMAX	Black & Gold Oxide	3018024SM
12-Piece Set	Black Oxide HSS 1/4" Hex Shank Jobber Length	1/16", 5/64", 3/32", 7/64", 1/8" (2), 9/64", 5/32", 3/16", 7/32", 1/4" Drills and Lock-N-Load® Quick-Change	135°	Black Oxide	4935643
15-Piece Set	Titanium Coated HSS Fractional Straight Shank Jobber	1/16"-3/8"	135°	TiN	4935607
15-Piece Set	Titanium Turbomax	1/16" - 3/8"	TURBOMAX	TiN	3018009
18-Piece Set	Titanium Turbomax	1/16" - 1/2"	TURBOMAX	TiN	3018010
9-Piece Set	Titanium Turbomax & Unibit	1/16" - 3/8" Unibit #1 & #4	TURBOMAX	TiN	3018008

Drill Bit Gauge & Stand

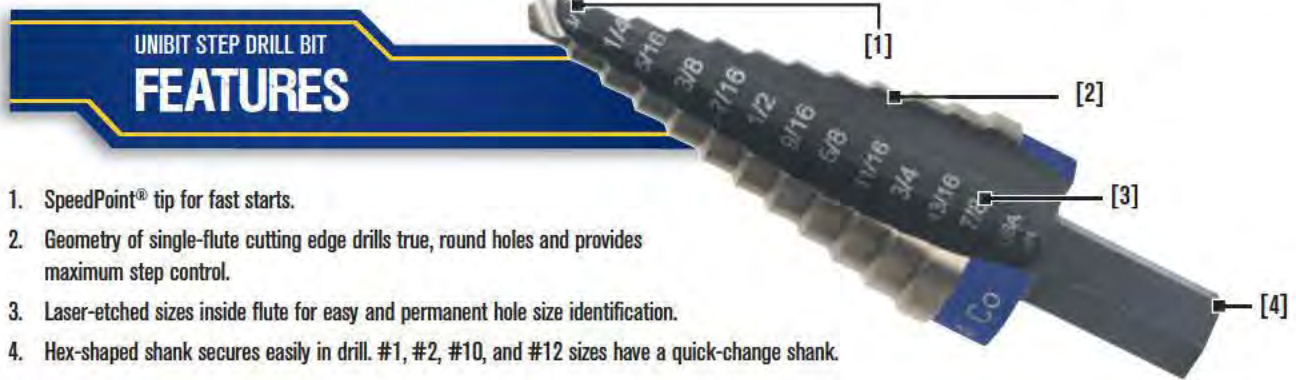


12092

Description	Carded Item #	Bulk Item #
Fractional Drill Gauge	12092	-
Drill Stand 1/16" - 1/2"	60172	-

UNIBIT Step Drill Bits – Drill Multiple Hole Sizes with One Bit

IRWIN® UNIBIT® step drill bits are ideal for drilling holes in just about any type of thin material. General purpose high speed steel UNIBIT step drill bits are perfect for use in mild steel, copper, brass, aluminum, plexiglass, wood, and laminate. Our Titanium Nitride-coated (TiN) bits resist heat and friction, which extends the life of the cutting edge six times longer than standard step drills. And, our Cobalt step drill bits are engineered with M35 Cobalt steel for maximum life when drilling in the toughest steel, including stainless steel. Most UNIBIT step drills are designed with a SpeedPoint® tip that guarantees fast starts. They're manufactured with a single-flute cutting edge that drills multiple sizes of true, round holes with precise step control. Plus, the hole sizes are permanently laser-etched on the inside of the flute, so they can be easily identified throughout the life of the bit.



UNIBIT STEP DRILL BIT FEATURES

1. SpeedPoint® tip for fast starts.
2. Geometry of single-flute cutting edge drills true, round holes and provides maximum step control.
3. Laser-etched sizes inside flute for easy and permanent hole size identification.
4. Hex-shaped shank secures easily in drill. #1, #2, #10, and #12 sizes have a quick-change shank.

UNIBIT Application Guide

Cobalt	Titanium Nitride (TiN)	High Speed Steel (HSS)
Stainless Steel or Other Tough Materials	Repetitive Drilling	General Use

UNIBIT Cobalt HSS



10231CB

- Engineered with M35 Cobalt steel for maximum life when drilling in tough steel.
- SpeedPoint® tip for fast starts.*

Description	# of Hole Sizes	Hex Shank Size	Carded Item #
#1 1/8"-1/2" (1/32" steps)	13	1/4"	10231CB
#2 3/16"-1/2" (1/16" steps)	6	1/4"	10232CB
#3 1/4"-3/4" (1/16" steps)	9	3/8"	10233CB
#4 3/16"-7/8" (1/16" steps)	12	3/8"	10234CB
#9 7/8" and 1-1/8" for (1/2" and 3/4") KO	2	7/16"	10239CB
#20 9/16"-1" (1/16") Inc - Hole Enlarging	8	7/16"	10220CB
#1M 4 mm-12 mm (1 mm steps)	9	1/4"	11101CB
#2M 4 mm - 12 mm (2 mm steps)	5	1/4"	11102CB
#3M 6 mm - 18 mm (2 mm steps)	7	3/8"	11103CB
#4M 4 mm - 22 mm (2 mm steps)	10	3/8"	11104CB

UNIBIT HSS Fractional Titanium Nitride (TiN) Coated



15101ZR

- Titanium Nitride coating resists heat and friction, extending the cutting edge life up to six times longer than other high speed steel step drill bits.
- SpeedPoint® tip for fast starts.*

Set: 15502

Description	# of Hole Sizes	Hex Shank Size	Carded Item #
#1T 1/8" - 1/2" (1/32" steps)	13	1/4"	15101ZR
#2T 3/16" - 1/2" (1/16" steps)	6	1/4"	15102ZR
#3T 1/4" - 3/4" (1/16" steps)	9	3/8"	15103ZR
#4T 3/16" - 7/8" (1/16" steps)	12	3/8"	15104
#13T 1-1/8" (single hole)	1	7/16"	15313
#20T 9/16" - 1" (hole enlarging)	8	7/16"	15200
#21T 13/16" - 1-3/8" (hole enlarging)	10	7/16"	15221

▲ - SpeedPoint™ Tip

*included on all self-starting sizes except for #1

Metal Drilling

Step Drill Bits / Sets

UNIBIT® HSS Metric Titanium Nitride (TiN) Coated



16103

- Titanium Nitride coating resists heat and friction, extending the cutting edge life up to six times longer than other high speed steel step drill bits.
- SpeedPoint® tip for fast starts.*

Description	# of Hole Sizes	Hex Shank Size	Carded Item #
▲ #1MT 4 mm - 12 mm (1 mm steps)	9	1/4"	16101
▲ #2MT 4 mm - 12 mm (2 mm steps)	5	1/4"	16102
▲ #3MT 6 mm - 18 mm (2 mm steps)	7	3/8"	16103
▲ #4MT 4 mm - 22 mm (2 mm steps)	10	3/8"	16104
▲ #5MT 5 mm - 35 mm (2 - 3 mm steps)	13	7/16"	16105

UNIBIT HSS Fractional



10234

- SpeedPoint® tip for fast starts.*
 - Geometry of single-flute cutting edge drills true, round holes and provides maximum step control.
- .Sets: 10225, 10228, 10502

Description	# of Hole Sizes	Hex Shank Size	Carded Item #
▲ #1 1/8" - 1/2" (1/32" steps)	13	1/4"	10231
▲ #2 3/16" - 1/2" (1/16" steps)	6	1/4"	10232
▲ #3 1/4" - 3/4" (1/16" steps)	9	3/8"	10233
▲ #4 3/16" - 7/8" (1/16" steps)	12	3/8"	10234
▲ #5 1/4" - 1-3/8" (1/8" steps)	10	7/16"	10235
▲ #9 7/8" and 1-1/8" (1/2" and 3/4" Knock-Out)	2	7/16"	10239
#10 1/2" (single hole)	1	1/4"	10310
#11 7/8" (single hole)	1	3/8"	10311ZR
#12 3/8" (single hole)	1	1/4"	10312ZR
#13 1-1/8" (single hole)	1	7/16"	10313ZR
#14 1-7/32" (single hole)	1	7/16"	10314
#20 9/16" - 1" (hole enlarging)	8	7/16"	10220
#21 13/16" - 1-3/8" (hole enlarging)	10	7/16"	10221

UNIBIT HSS Metric



11101ZR

- SpeedPoint® tip for fast starts.*
- Geometry of single-flute cutting edge drills true, round holes and provides maximum step control.

Description	# of Hole Sizes	Hex Shank Size	Carded Item #
▲ #1M 4 mm - 12 mm (1 mm steps)	9	1/4"	11101ZR
▲ #2M 4 mm - 12 mm (2 mm steps)	5	1/4"	11102
▲ #3M 6 mm - 18 mm (2 mm steps)	7	3/8"	11103
▲ #4M 4 mm - 22 mm (2 mm steps)	10	3/8"	11104
▲ #5M 5 mm - 35 mm (2-3 mm steps)	13	7/16"	11105ZR
#20M 14 mm - 24 mm (hole enlarging)	6	7/16"	11580
#21M 20 mm - 34 mm (hole enlarging)	8	7/16"	11581
PG29M 5 mm - 28.3 mm	10	7/16"	11194
29 mm 5 mm - 29 mm	10	7/16"	11195

UNIBIT Sets



10502CB

▲ - SpeedPoint™ Tip

Description	Type	Contents	Item #
4-Piece Set	High Speed Steel Set	#1, 2, 4 & 21	10225
4-Piece Set	High Speed Steel Set w/#1 TiN	#1, 2 & 3 plus #1T	10228
3-Piece Set	High Speed Steel Set	#1, 2 & 3	10502ZR
3-Piece Set	Titanium Nitride Coated Set	#1T, 2T & 3T	15502
3-Piece Set	Cobalt Set	#1C, 2C & 3C	10502CB
9-Piece Set	Unibit/TiN Turbomax Set	#1, #4 & 7-Piece TiN (1/16", 3/32", 1/8", 3/16", 7/32", 1/4", 3/8")	3018008

*included on all self-starting sizes except for #1

METAL DRILLING

IRWIN®

Wood Drilling














www.irwin.com

A Century of Quality and Innovation

In 1885, the IRWIN® Auger Bit Company was formed. Over 125 years later, IRWIN is still the leading manufacturer of wood drilling bits and accessories. No matter what wood drilling project you face, IRWIN Tools makes a drill bit that performs the job better. Our mark of quality is stamped right on the shank of our full range of bits. Whether the job requires quick, clean holes or precise finish work, IRWIN has a bit for every application and every need.

The all new IRWIN® WeldTec™ pole auger is made stronger and lasts longer than any pole auger in the market. It features a welded high speed steel cutting edge that is sharper and larger than standard carbon steel pole augers, providing increased durability and faster drilling in dense, treated, or creosote-soaked wood. With a feed screw that is 50% larger* and a 10% faster pitch*, it's designed specifically for drilling deep holes in dense wood. The flutes are about two times wider* for maximum chip removal – even in the deepest holes. Only IRWIN offers the superior performance and added durability of WeldTec.

Use the chart below to determine which bit is best for the job at hand.

Bit Style	Size Range	Typical Trades	Application Benefits
 <p>Tri-Flute Bit</p>	7/16" to 1-1/2" diameter	Carpentry, Electrical, Plumbing	Fast, clean holes with reduced "break out" when through-hole drilling. Full-screw tip requires less effort.
 <p>Spade Bit</p>	1/4" to 1-1/2" diameter 4-3/4" to 16" lengths	Carpentry, Electrical, Plumbing	Fast, clean holes with reduced "break out" for through-hole drilling or countersinking.
 <p>Solid Center Auger Bit</p>	1/4" to 1-1/2" diameter 7-1/2" length	Carpentry, Electrical, Plumbing	Self-feeding tip pulls bit into the work for repetitive cutting of fast clean holes with a clean exit hole. Single-spur cutting edge scribes the circumference of the hole for a smoother finish.
 <p>Hollow Center Auger Bit</p>	3/8" to 2" diameter 7-1/2" to 29" lengths	Public Utilities, Electrical, Plumbing, Carpentry, Log Homes	Hollow center provides better chip removal for deeper holes in utility poles and logs.
 <p>Installer Bit</p>	1/4" to 3/4" diameter 12" to 30" lengths	Telecommunications, Cable/Internet, Security Systems	Wire hole near the end of the bit enables user to pull wire back through the hole after drilling.
 <p>Self-Feed Bit</p>	1" to 4-5/8" diameter	Plumbing, Electrical, General Contracting	Replaceable self-feeding tip pulls bit into the wood. Best for cutting larger holes with clean edges.
 <p>Forstner Bit</p>	1/4" to 2-1/8" diameter	Fine Woodworking, Cabinet Making	Precise cutting of smooth, flat-bottomed (blind) holes with clean, sharp edges.
 <p>Brad Point Bit</p>	1/8" to 1/2" diameter	Woodworking, Cabinet Making	Precise cutting of smooth through-holes with clean, sharp edges and reduced "break out."
 <p>Countersink Bit</p>	1/8" to 1/2" diameter	Woodworking, Cabinet Making	Perfect for variable-size countersink holes.
 <p>Plug Cutters</p>	1/8" to 1/2" diameter	Woodworking, Cabinet Making	Perfect for cutting dowels or plug holes.
 <p>Quick-Change Extensions</p>	1/4" available in 2", 6" and 12" length 3/8" available in 2", 5-1/2" and 12" length 7/16" available in 5-1/2", 12" and 18" length	Woodworking, Cabinet Making	Lock-n-Load® system for quick release and fast bit changes.

* vs. standard pole augers



SPEEDBOR MAX SPEED BIT

FEATURES

1. Three cutting spurs for faster, cleaner holes, less breakout, and extended drilling life.
2. Full screw-point tip allows bit to self-feed for ease of drilling.
3. Tapered tri-flute design for faster chip ejection and less binding.
4. 1/4" quick-change shank reduces slipping in standard chucks and is compatible with all 1/4" quick-change chucks, including impact drills.*

*3/8" for 1-3/8" and 1-1/2" bits

SPEEDBOR® Max Speed Bits

The IRWIN® SPEEDBOR® Max Speed wood drilling bit is the FASTEST SPEEDBOR EVER™. The Speed Tip features a full screw-point that allows bit to self-feed, as well as three (3) cutting spurs for faster, cleaner holes, less breakout, and extended drilling life. The tapered tri-flute design allows for faster chip ejection and less binding. Its grooved hex shank prevents slipping and fits all standard 1/4" quick-change chucks, including impact drills.



3041004



THE FASTEST
SPEEDBOR EVER.

6-piece SPEEDBOR Max Speed Set



3041006

3-piece SPEEDBOR Max Speed Set



3041003

Quick-Change Extension



4935704

Diameter	Length	Shank Size	Item#	Bulk Item #
7/16"	6"	1/4" Quick-Change	3041015	3041015B
1/2"	6"	1/4" Quick-Change	3041001	3041001B
9/16"	6"	1/4" Quick-Change	3041014	3041014B
5/8"	6"	1/4" Quick-Change	3041002	3041002B
11/16"	6"	1/4" Quick-Change	3041016	3041016B
3/4"	6"	1/4" Quick-Change	3041004	3041004B
13/16"	6"	1/4" Quick-Change	3041017	3041017B
7/8"	6"	1/4" Quick-Change	3041005	3041005B
15/16"	6"	1/4" Quick-Change	3041018	3041018B
1"	6"	1/4" Quick-Change	3041007	3041007B
1-1/8"	6"	1/4" Quick-Change	3041019	3041019B
1-1/4"	6"	1/4" Quick-Change	3041009	3041009B
1-3/8"	6"	3/8" Quick-Change	3041020	3041020B
1-1/2"	6"	3/8" Quick-Change	3041021	3041021B
Sets				
3-pc SPEEDBOR Max Speed Set (5/8", 3/4", 1")			3041003	—
6-pc SPEEDBOR Max Speed Set (1/2", 5/8", 3/4", 7/8", 1", 1-1/4")			3041006	—
10-pc SPEEDBOR Max Speed Set (7/16", 1/2", 9/16", 5/8", 3/4", 7/8", 1", 1-1/8", 1-1/4", 1-3/8")			1801022	—
Lock-n-Load® Quick-Change Extensions				
1/4" Quick-Change Bit Holder 2-1/2" OAL / 5/8" OAW			4935703	—
1/4" Quick-Change Bit Holder 6" OAL / 5/8" OAW			4935704	—
1/4" Quick-Change Bit Holder 12" OAL / 5/8" OAW			4935705	—
3/8" Quick-Change Bit Holder 2-3/4" OAL / 7/8" OAW			4935651	—
3/8" Quick-Change Bit Holder 5-1/2" OAL / 7/8" OAW			4935652	—
3/8" Quick-Change Bit Holder 12" OAL / 7/8" OAW			4935653	—

SPEEDBOR® Spade Bits

SPEEDBOR SPADE BIT FEATURES

1. Patented Blue-Groove™ point and cutting edge for faster chip removal and overall drilling speed.
2. Double cutting spurs scribe the outside of the hole for reduced breakout and cleaner holes.
3. 40% thicker cutting edge and enlarged shank for increased strength and longer drilling life.*
4. 1/4" quick-change shank reduces slipping in standard chucks and is compatible with all 1/4" quick-change chucks, including impact drills.



*versus previous IRWIN spade bits



87912

4-3/4" SPEEDBOR Short Length Spade Bits

- For drilling in tight spaces



88812

6" SPEEDBOR Standard Length Spade Bits

Diameter	Length	Shank Size	Item #
1/2"	4"	1/4" Quick-Change	87908
5/8"	4"	1/4" Quick-Change	87910
3/4"	4"	1/4" Quick-Change	87912
7/8"	4"	1/4" Quick-Change	87914
1"	4"	1/4" Quick-Change	87916
1-1/4"	4"	1/4" Quick-Change	87920
1-1/2"	4"	1/4" Quick-Change	87924

Diameter	Length	Shank Size	Item #	Bulk Item #
1/4"	6"	1/4" Quick-Change	88804	99904
5/16"	6"	1/4" Quick-Change	88805	99905
3/8"	6"	1/4" Quick-Change	88806	99906
7/16"	6"	1/4" Quick-Change	88807	99907
1/2"	6"	1/4" Quick-Change	88808	99908
9/16"	6"	1/4" Quick-Change	88809	99909
5/8"	6"	1/4" Quick-Change	88810	99910
11/16"	6"	1/4" Quick-Change	88811	99911
3/4"	6"	1/4" Quick-Change	88812	99912
13/16"	6"	1/4" Quick-Change	88813	99913
7/8"	6"	1/4" Quick-Change	88814	99914
15/16"	6"	1/4" Quick-Change	88815	99915
1"	6"	1/4" Quick-Change	88816	99916
1-1/8"	6"	1/4" Quick-Change	88818	99918
1-1/4"	6"	1/4" Quick-Change	88820	99920
1-3/8"	6"	1/4" Quick-Change	88822	99922
1-1/2"	6"	1/4" Quick-Change	88824	99924



88712

16" SPEEDBOR Extra-Long Spade Bits

- For extended reach
- Not for use with bit extensions or drill presses.

Diameter	Length	Shank Size	Item #	Bulk Item #
3/8"	16"	1/4" Hex	88706	99706
1/2"	16"	1/4" Hex	88708	99708
5/8"	16"	1/4" Hex	88710	—
3/4"	16"	1/4" Hex	88712	99712
7/8"	16"	1/4" Hex	88714	99714
1"	16"	1/4" Hex	88716	99716

SPEEDBOR Spade Bit Sets



88885



1764344

SPEEDBOR Spade Bit Pro Set



341008

- Sliding latch design provides added security.



4935704



88702

Standard Spurless Spade Bits



88012BULK

European Hinge Bits



W14334

Description	Diameter	Item #
Short Length Spade Bit Sets		
3-pc set	1/2", 3/4", 1"	87950
		87954
6-pc Pro Set w/Extension	3/4", 7/8", 15/16", 1", 1-1/8" Short Length Bits; 6" OAL Quick-Change Extension	1768411
Standard Length Spade Bit Sets		
3-pc Set	1/2", 3/4", 1"	88889
4-pc Set w/Extension	1/2", 3/4", 1", & 6" Quick-Change Extension	4935687
5-pc Set	3/8", 1/2", 5/8", 3/4", 1"	88885
6-pc Set	3/8", 1/2", 5/8", 3/4", 7/8", 1"	88886
6-pc Set w/Workshop Rack	3/8", 1/2", 5/8", 3/4", 7/8", 1" & Rack	88888
6-pc Set w/Extension	3/8", 1/2", 5/8", 3/4", 1" & 6" Quick-Change Extension	88898
8-pc Pro Set Case	3/8", 1/2", 5/8", 7/8", 1", 1-1/8", 1-1/2" & PRO Set Case	341008
13-pc Set	1/4", 5/16", 3/8", 7/16", 1/2", 9/16", 5/8", 11/16", 3/4", 13/16", 7/8", 15/16", 1"	88894
13-pc Set w/Workshop Rack	1/4", 5/16", 3/8", 7/16", 1/2", 9/16", 5/8", 11/16", 3/4", 13/16", 7/8", 15/16", 1"	88887
17-pc Set	1/4", 5/16", 3/8", 7/16", 1/2", 9/16", 5/8", 11/16", 3/4", 13/16", 7/8", 15/16", 1", 1-1/8", 1-1/4", 1-3/8", 1-1/2"	1792761
Standard Length Spade Bit Bulk Packs		
4-pc Bulk Pack	5/8"	1764343
4-pc Bulk Pack	3/4"	1764344
4-pc Bulk Pack	1"	1764345
Lock-n-Load® Quick-Change Extensions		
1/4" Quick-Change Bit Holder 2-1/2" OAL / 5/8" OAW		4935703
1/4" Quick-Change Bit Holder 6" OAL / 5/8" OAW		4935704
1/4" Quick-Change Bit Holder 12" OAL / 5/8" OAW		4935705
Manual Locking Hex Key Extensions		
1/4" Hex Key Extension 6" OAL / 1-1/16" OAW		88702
1/4" Hex Key Extension 12" OAL / 1-1/16" OAW		88601

Hex Key Extensions compatible with:



Diameter	Length	Shank Size	Bulk Item #
3/8"	6"	1/4" Hex	88006BULK
1/2"	6"	1/4" Hex	88008BULK
5/8"	6"	1/4" Hex	88010BULK
3/4"	6"	1/4" Hex	88012BULK
7/8"	6"	1/4" Hex	88014BULK
1"	6"	1/4" Hex	88016BULK
1-1/8"	6"	1/4" Hex	88018BULK
1-1/4"	6"	1/4" Hex	88020BULK
1-1/2"	6"	1/4" Hex	88024BULK

Diameter	Length	Shank Size	Bulk Item #
26 mm	4"	1/4" Round	W14334
35 mm	4"	1/4" Round	W14335

IRWIN® Lock-n-Load® Quick-Change Extensions

QUICK-CHANGE BIT EXTENSION FEATURES

1. Lock-n-Load® system for quick release and fast bit changes.
2. Chrome-plated sleeve and body for improved durability and longer life.
3. Patented jaw design is compatible with 6-flatted shanks, ball detent (quick-change), and insert bits.
4. 1/4" range works with insert bits and is magnetic for additional holding power.



4935652

Lock-n-Load Compatibility

WOOD DRILLING

1/4"



- SPEEDBOR® Blue Groove (All Sizes)
- SPEEDBOR Max Speed (Sizes 7/16" to 1-1/4")
- Fastener Drive (All products)
- UNIBIT® (Sizes #1, #2, #10, #12)
- 1/4" Hole Saw Arbor (Sizes 9/16" to 1-3/16")
- Countersinks (Sizes #4 to #12)



3/8"



- SPEEDBOR Max Speed (Sizes 1-3/8", 1-1/4")
- UNIBIT (Sizes #3, #4, #11)
- 3/8" Hole Saw Arbor (Sizes 9/16" to 6" diameter saws)



7/16"



- 17" Ship Augers (Sizes 9/16" and larger)
- 7-1/2" Short Ship Augers (Sizes 1-1/8", 1-1/4")
- Self-Feed Bits (All sizes)
- UNIBIT (Sizes #5, #9, #13, #14, #20, #21)
- 1/2" Hole Saw Arbor (Sizes 1-1/4" - 6")



4935704

Description	Item #
1/4" Quick-Change Bit Holder 2-1/2" OAL / 5/8" OAW	4935703
1/4" Quick-Change Bit Holder 6" OAL / 5/8" OAW	4935704
1/4" Quick-Change Bit Holder 12" OAL / 5/8" OAW	4935705
3/8" Quick-Change Bit Holder 2-3/4" OAL / 7/8" OAW	4935651
3/8" Quick-Change Bit Holder 5-1/2" OAL / 7/8" OAW	4935652
3/8" Quick-Change Bit Holder 12" OAL / 7/8" OAW	4935653
7/16" Quick-Change Bit Holder 5-1/2" OAL / 1-1/16" OAW	4935654
7/16" Quick-Change Bit Holder 12" OAL / 1-1/16" OAW	4935655
7/16" Quick-Change Bit Holder 18" OAL / 1-1/16" OAW	4935656



88702

Manual Locking Hex Extensions

Description	Item #
1/4" Hex Key Extension 6" OAL / 1-1/16" OAW	88702
1/4" Hex Key Extension 12" OAL / 1-1/16" OAW	88601
7/16" Hex Key Extension 6" OAL / 1-1/16" OAW	3046001
7/16" Hex Key Extension 12" OAL / 1-1/16" OAW	3046002
7/16" Hex Key Extension 18" OAL / 1-1/16" OAW	3046003

Hex Key Extensions
Compatible With:



Ship Auger Bits with WeldTec™

The IRWIN® with WeldTec™ ship auger is made stronger and lasts longer than any ship auger in the world. It features a welded cutting edge that easily cuts through tough materials like nail-embedded wood. It has twice the nail cutting life of standard ship augers. With an aggressive screw-pitch for faster drilling, this bit is fully-forged for maximum durability, and wide flutes provide maximum chip removal with less binding.



WeldTec SHIP AUGER BIT

FEATURES

1. Patent-pending welded cutting edge for extreme life in tough materials, including nail-embedded wood.
2. Aggressive screw-pitch for faster drilling.
3. Wide flutes for maximum chip removal with less binding.
4. Fully-forged bit for maximum durability.**

3043011

2X NAIL CUTTING LIFE*

* Compared to standard IRWIN ship augers
** Fully forged on bits 3/4" diameter and larger



WOOD DRILLING

7.5" Ship Auger Bits with WeldTec™



1779343

17" Ship Auger Bits with WeldTec™



3043011

Diameter	Twist Length	Overall Length	Item #	Bulk Item #
3/8"	5"	7-1/2"	1779135	—
7/16"	5"	7-1/2"	1779136	—
1/2"	5"	7-1/2"	1779137	—
9/16"	5"	7-1/2"	1779138	—
5/8"	5"	7-1/2"	1779139	—
11/16"	5"	7-1/2"	1779140	—
3/4"	5"	7-1/2"	1779341	—
13/16"	5"	7-1/2"	1779342	—
7/8"	5"	7-1/2"	1779343	—
15/16"	5"	7-1/2"	1779344	—
1"	5"	7-1/2"	1779345	—
1-1/16"	5"	7-1/2"	1779346	—
1-1/8"	5"	7-1/2"	1779347	—
1-1/4"	5"	7-1/2"	1779348	—
1-3/8"	5"	7-1/2"	1779349	—
1-1/2"	5"	7-1/2"	1779350	—

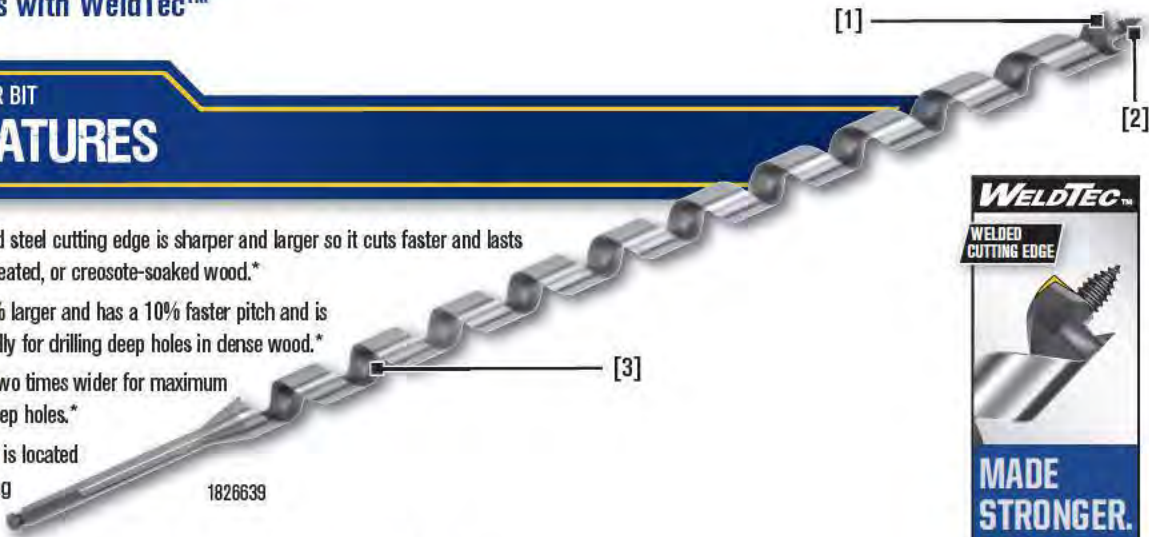
Diameter	Twist Length	Overall Length	Item #	Bulk Item #
3/8"	12"	17"	3043004	3043004B
7/16"	12"	17"	4935570	4935571
1/2"	12"	17"	3043005	3043005B
9/16"	12"	17"	3043006	3043006B
5/8"	12"	17"	3043007	3043007B
11/16"	12"	17"	3043008	3043008B
3/4"	12"	17"	3043009	3043009B
13/16"	12"	17"	3043010	3043010B
7/8"	12"	17"	3043011	3043011B
15/16"	12"	17"	3043012	3043012B
1"	12"	17"	3043013	3043013B
1-1/16"	12"	17"	4935572	4935573
1-1/8"	12"	17"	3043014	3043014B
1-1/4"	12"	17"	3043015	3043015B
1-3/8"	12"	17"	4935574	4935575
1-1/2"	12"	17"	3043016	3043016B
1-5/8"	12"	17"	—	1773957
1-3/4"	12"	17"	—	1773958
2"	12"	17"	—	1773959

Pole Auger Bits with WeldTec™

POLE AUGER BIT

FEATURES

1. Welded high speed steel cutting edge is sharper and larger so it cuts faster and lasts longer in dense, treated, or creosote-soaked wood.*
2. Feed screw is 50% larger and has a 10% faster pitch and is designed specifically for drilling deep holes in dense wood.*
3. Flutes are nearly two times wider for maximum chip removal in deep holes.*
4. Clean cutting spur is located opposite the cutting edge. It scribes the hole before cutting for cleaner, faster drilling and more efficient transfer of chips to the flute, enhancing overall drilling speed.
5. Available in both 7/16" and 5/8" impact rated shank sizes.



* vs. standard pole augers.

18" Pole Auger Bits with WeldTec™



1826635

Diameter	Shank Size	Twist Length	Overall Length	Item #
11/16"	5/8"	15"	18"	1826304
11/16"	7/16"	15"	18"	1826632
13/16"	5/8"	15"	18"	1826305
13/16"	7/16"	15"	18"	1826633
15/16"	5/8"	15"	18"	1826626
15/16"	7/16"	15"	18"	1826634
1-1/16"	5/8"	15"	18"	1826627
1-1/16"	7/16"	15"	18"	1826635

24" Pole Auger Bits with WeldTec™



1826639

Diameter	Shank Size	Twist Length	Overall Length	Item #
11/16"	5/8"	21"	24"	1826628
11/16"	7/16"	21"	24"	1826636
13/16"	5/8"	21"	24"	1826629
13/16"	7/16"	21"	24"	1826637
15/16"	5/8"	21"	24"	1826630
15/16"	7/16"	21"	24"	1826638
1-1/16"	5/8"	21"	24"	1826631
1-1/16"	7/16"	21"	24"	1826639

29" Pole Auger Bits with WeldTec™



1826649

Diameter	Shank Size	Twist Length	Overall Length	Item #
1/2"	7/16"	24"	29"	1826640
9/16"	7/16"	24"	29"	1826641
5/8"	7/16"	24"	29"	1826642
11/16"	7/16"	24"	29"	1826643
3/4"	7/16"	24"	29"	1826644
13/16"	7/16"	24"	29"	1826645
7/8"	7/16"	24"	29"	1826646
15/16"	7/16"	24"	29"	1826647
1"	7/16"	24"	29"	1826648
1-1/16"	7/16"	24"	29"	1826649

WOOD DRILLING



46616



Pole Auger Bits - Hand Brace / Adapter Shank

- Extra-long twist is ideal for drilling large poles, construction timbers, and for other timber applications.
- Cutting spur scribes the outside of the hole during drilling for a smooth, clean hole.
- Taper square shank can be removed for use in an electric drill or hand brace.
- Bit can be resharpened.
- Medium-fast screw point is ideal for general wood drilling applications.

Diameter	Shank Type	Twist Length	Overall Length	Bulk Item #
3/8"	Taper Square	12"	18"	46606
7/16"	Taper Square	12"	18"	46607
1/2"	Taper Square	12"	18"	46608
9/16"	Taper Square	12"	18"	46609
5/8"	Taper Square	12"	18"	46610
11/16"	Adapter Shank	12"	18"	46611
3/4"	Adapter Shank	12"	18"	46612
13/16"	Adapter Shank	12"	18"	46613ZR
7/8"	Adapter Shank	12"	18"	46614
15/16"	Adapter Shank	12"	18"	46615
1"	Adapter Shank	12"	18"	46616

Adapter Shank Fits both hand braces and power drills.



Taper square shank fits hand braces.



Cut off or square and use in both power drills and hand braces.



47915



Pole Auger Bits - Impact Shank

- Extra-long twist is ideal for drilling large poles, construction timbers, and for other timber applications.
- Cutting spur scribes the outside of the hole during drilling for a smooth, clean hole.
- Hex shank design for use in impact wrench drills.
- Bit can be resharpened.
- Medium-fast screw point is ideal for general wood drilling applications.

Diameter	Shank Size	Twist Length	Overall Length	Bulk Item #
9/16"	5/8"	15"	18"	48109
11/16"	5/8"	15"	18"	48111ZR
13/16"	5/8"	15"	18"	48113ZR
9/16"	7/16"	15"	18"	47909
11/16"	7/16"	15"	18"	47911
13/16"	7/16"	15"	18"	47913
15/16"	7/16"	15"	18"	47915
1-1/16"	7/16"	15"	18"	47917
1-1/16"	5/8"	21"	24"	48317
11/16"	5/8"	21"	24"	48311
13/16"	5/8"	21"	24"	48313
15/16"	5/8"	21"	24"	48315
11/16"	7/16"	21"	24"	48211
13/16"	7/16"	21"	24"	48213ZR
15/16"	7/16"	21"	24"	48215



47016



Pole Auger Bits – Hex Shank

- Extra-long twist is ideal for drilling in large poles, construction timbers, and for multiple timber applications.
- All bits feature 7/16" adaptable hex shank. Simply remove it to use round shank.
- Bit can be resharpened.
- Medium-fast screw point is ideal for general wood drilling applications.
- Cutting spur scribes the outside of the hole during drilling for a smooth, clean hole.

Diameter	Shank Size	Twist Length	Overall Length	Bulk Item #
9/16"	7/16"	12"	17"	46809
5/8"	7/16"	12"	17"	46810
11/16"	7/16"	12"	17"	46811
3/4"	7/16"	12"	17"	46812
13/16"	5/8"	12"	17"	46813
1-1/16"	7/16"	12"	18"	46617
9/16"	7/16"	12"	23"	46909
5/8"	7/16"	18"	23"	46910
11/16"	7/16"	18"	23"	46911
3/4"	7/16"	18"	23"	46912
13/16"	7/16"	18"	23"	46913ZR
7/8"	7/16"	18"	23"	46914ZR
15/16"	7/16"	18"	23"	46915ZR
11/16"	7/16"	18"	24"	46711
13/16"	7/16"	18"	24"	46713ZR
1"	7/16"	18"	24"	46716
9/16"	7/16"	24"	29"	47009
5/8"	7/16"	24"	29"	47010
11/16"	7/16"	24"	29"	47011
3/4"	5/8"	24"	29"	47012
13/16"	7/16"	24"	29"	47013
7/8"	7/16"	24"	29"	47014
15/16"	7/16"	24"	29"	47015
1"	7/16"	24"	29"	47016
1-1/16"	7/16"	24"	29"	47017

WOOD DRILLING



48715



Ship Auger Bits – Impact Shank

- Hex shank design for use in impact drills.
- Bit can be resharpened.
- Medium-fast screw point is ideal for general wood drilling applications.

Diameter	Shank Size	Twist Length	Overall Length	Bulk Item #
1/2"	7/16"	9"	12"	48508
9/16"	7/16"	9"	12"	48509
11/16"	7/16"	9"	12"	48511
13/16"	7/16"	9"	12"	48513
9/16"	7/16"	15"	18"	48709
11/16"	7/16"	15"	18"	48711
13/16"	7/16"	15"	18"	48713
15/16"	7/16"	15"	18"	48715
1-1/16"	7/16"	15"	18"	48717



49916

Solid Center Auger with Cutting Spur - I-100 Series

- Single cutting spur scribes the outside of the hole for faster drilling, cleaner holes, and a smoother finish.
- Solid-center design increases durability and provides rigidity for smooth, straight drilling.
- Coarse screw-point for fast drilling in soft and hard woods.
- Full-length heat-treating strengthens the twist, guarding against bending in tough applications, and improves overall bit durability and drilling life.



Diameter	Shank Size	Twist Length	Overall Length	Item #
1/4"	3/16"	4-1/2"	7-1/2"	49904
5/16"	7/32"	4-1/2"	7-1/2"	49905
3/8"	5/16"	4-1/2"	7-1/2"	49906
7/16"	5/16"	4-1/2"	7-1/2"	49907
1/2"	5/16"	4-1/2"	7-1/2"	49908
9/16"	5/16"	4-1/2"	7-1/2"	49909
5/8"	5/16"	4-1/2"	7-1/2"	49910
11/16"	5/16"	4-1/2"	7-1/2"	49911
3/4"	5/16"	4-1/2"	7-1/2"	49912
13/16"	5/16"	4-1/2"	7-1/2"	49913
7/8"	5/16"	4-1/2"	7-1/2"	49914
15/16"	5/16"	4-1/2"	7-1/2"	49915
1"	5/16"	4-1/2"	7-1/2"	49916
1-1/8"	7/16"	4-1/2"	7-1/2"	49918
1-1/4"	7/16"	4-1/2"	7-1/2"	49920
1-3/8"	7/16"	4-1/2"	7-1/2"	49922
1-1/2"	7/16"	4-1/2"	7-1/2"	49924
Solid Center Auger Bit Sets				
6-pc pouched contains 1/4", 3/8", 1/2", 5/8", 3/4" & 1"				49998
3-pc pouched contains 1/4", 3/8", & 1/2"				49999
Hex Key Extensions				
5/16" Hex Key Extension			18"	43805
7/16" Hex Key Extension			18"	3046003



43616

Hand Brace Solid Center Auger Bits - 62T Series

- Medium-fast screw point is ideal for general wood drilling applications.
- Full-length, heat-treated bit guards against bending in heavy-duty applications, and strengthens the twist where the greatest strain occurs.
- Double spur, double cutter design leaves an extremely clean hole finish.

Diameter	Shank Type	Twist Length	Overall Length	Item #	Bulk Item #
1/4"	Taper square	3-1/2"	7-1/2"	43604	-
5/16"	Taper square	3-5/8"	7-5/8"	43605	-
3/8"	Taper square	3-3/4"	7-3/4"	43606	-
7/16"	Taper square	3-7/8"	7-7/8"	43607	-
1/2"	Taper square	4"	8"	43608	-
9/16"	Taper square	4-1/8"	8-1/8"	43609	-
5/8"	Taper square	4-1/4"	8-1/4"	43610ZR	-
11/16"	Taper square	4-3/8"	8-3/8"	43611	-
3/4"	Taper square	4-1/2"	8-1/2"	43612	-
13/16"	Taper square	4-5/8"	8-5/8"	43613ZR	-
7/8"	Taper square	4-9/16"	8-3/4"	43614	-
15/16"	Taper square	4-11/16"	8-7/8"	43615	-
1"	Taper square	4-13/16"	9"	43616	-
1-1/2"	Taper square	4-7/8"	9-1/2"	-	43624
13-pc Pouch Set Contains 1/4" - 1"					43697



45516



Drilling Machine Auger Bits – 62R Series, 1/2" Round Shank

- Round shank is designed for use in power drills, drill presses, and drilling machines with 1/2" or larger chuck.
- Heavy stem increases strength and rigidity while reducing vibration. Shank length is 2".
- Medium-fast screw point is ideal for general wood drilling applications.

Diameter	Shank Size	Twist Length	Overall Length	Bulk Item #
7/16"	1/2" Round	6"	8"	45307
1/2"	1/2" Round	6"	8"	45308
9/16"	1/2" Round	6"	8"	45309
11/16"	1/2" Round	6"	8"	45311
13/16"	1/2" Round	6"	8"	45313
7/8"	1/2" Round	6"	8"	45314
1"	1/2" Round	6"	8"	45316
3/8"	1/2" Round	8"	10"	45406
7/16"	1/2" Round	8"	10"	45407
9/16"	1/2" Round	8"	10"	45409
3/4"	1/2" Round	8"	10"	45412
13/16"	1/2" Round	10"	12"	45513
1"	1/2" Round	10"	12"	45516
3/8"	1/2" Round	12"	14"	45606
1/2"	1/2" Round	12"	14"	45608
11/16"	1/2" Round	12"	14"	45611
3/4"	1/2" Round	12"	14"	45612
13/16"	1/2" Round	12"	14"	45613
7/8"	1/2" Round	12"	14"	45614
1"	1/2" Round	12"	14"	45616



38912

Wood Installer Bits

- Hole in flute for easy wire pulling through walls, ceilings, and floors.
- Premium alloy steel construction for extended drilling life.
- Special 82° point for fast drilling and easy starts.

Diameter	Shank Size	Overall Length	Item #	Bulk Item #
1/4"	.230"	12"	—	38904
5/16"	.285"	12"	—	38905
3/8"	.370"	12"	—	38906
1/2"	.370"	12"	—	38908
9/16"	.370"	12"	—	38909
5/8"	.370"	12"	—	38910
3/4"	.370"	12"	—	38912
1/4"	.230"	18"	39104	39004
5/16"	.285"	18"	39105	39005
3/8"	.370"	18"	39106	39006
7/16"	.370"	18"	39107ZR	39007
1/2"	.370"	18"	39108ZR	39008
9/16"	.370"	18"	39109ZR	—
5/8"	.370"	18"	39110	39010
11/16"	.370"	18"	39111	—
3/4"	.370"	18"	39112	—
1/4"	.230"	24"	—	39404
5/16"	.285"	24"	—	39405
3/8"	.370"	24"	—	39406
1/2"	.370"	24"	—	39408
1/4"	.230"	30"	—	39604
3/8"	.370"	30"	—	39606
1/2"	.370"	30"	—	39608
Installer Bit Sets				
3-pc Set 1/4", 3/8", 1/2"	—	—	—	3044001LW



40012

Carbide Tip Installer Bits

- Hole in flute makes it easy to pull wire through walls, ceilings, and floors.
- Specially designed flute quickly clears masonry dust.
- Heavy duty 118° point enters material quickly.
- Carbide tip and cutting edge is ideal for use where masonry construction is encountered, including brick, mortar joints, and cinder blocks.

Diameter	Shank Size	Overall Length	Bulk Item #
1/4"	.245"	18"	40004ZR
5/16"	.250"	18"	40005
3/8"	.370"	18"	40006
1/2"	.370"	18"	40008
5/8"	.370"	18"	40010
3/4"	.370"	18"	40012



45002

Adjustable Wood Bits

- Adjustable cutting blade bores a variety of hole sizes (Cuts 19 hole sizes in increments of 1/8").
- Lockhead screw securely holds blade at desired drilling diameter.

Diameter	Shank Size	Usage	Overall Length	Item #
5/8" - 1-3/4"	9/32"	Drill Press / Hand Brace	5-1/2"	44801
7/8" - 3"	11/32"	Drill Press / Hand Brace	6-1/2"	45002
7/8" - 3"	—	Hand Brace	6-1/2"	44202

WOOD DRILLING

Wood Drilling

Self-Feed Bits

SPEEDBOR MAX SELF-FEED BIT FEATURES

1. Three re-sharpenable cutting edges are hardened for extreme durability and long life in tough materials.*
2. Replaceable screw-point tip pulls bit fast for clean, true holes.
3. 7/16" hex quick-change shank reduces slipping in standard chucks and is compatible with all 7/16" impact drills.



* 2 cutting edges on sizes 3" and larger

SPEEDBOR Max Self-Feed Wood Bits



3046010



4935655



3046002

Diameter	Shank Size	Overall Length	Item #
1"	7/16"	5"	3046004
1-1/8"	7/16"	5"	3046005
1-1/4"	7/16"	5"	3046006
1-3/8"	7/16"	5"	3046007
1-1/2"	7/16"	5"	3046008
1-3/4"	7/16"	5"	3046009
2"	7/16"	5"	3046010
2-1/8"	7/16"	5"	3046011
2-1/4"	7/16"	5"	3046012
2-9/16"	7/16"	5"	3046013
3"	7/16"	5"	3046014
3-5/8"	7/16"	5"	3046015
4-5/8"	7/16"	5"	3046016
Replacement Tips - Includes (5) Screw Tips, (5) Set Screws, and (1) Hex Key			
Self-feed tips 1" - 1-3/8" bits			1792762
Self-feed tips 1-1/2" - 2-9/16" bits			1792763
Self-feed tips 3" - 4-5/8" bits			1792764
Lock-n-Load® Quick-Change Extensions			
7/16" Quick-Change Bit Holder 5-1/2" OAL / 1-1/16" OAW			4935654
7/16" Quick-Change Bit Holder 12" OAL / 1-1/16" OAW			4935655
7/16" Quick-Change Bit Holder 18" OAL / 1-1/16" OAW			4935656
Manual Locking Hex Key Extensions			
7/16" Manual Locking Hex Extensions 5-1/2" OAL / 1-1/16" OAW			3046001
7/16" Manual Locking Hex Extensions 12" OAL / 1-1/16" OAW			3046002
7/16" Manual Locking Hex Extensions 18" OAL / 1-1/16" OAW			3046003

Brad Point Bits



49618

- Brad point tip provides accurate positioning for starting the hole.
- Bit is precision-ground for use in furniture making, doweling, cabinetry, and other woodworking applications where an exact hole size is required.
- Spurs reduce splintering and ensure a smooth, clean hole.
- Wide flutes provide a fast, continuous flow of chip ejection.

Forstner Bits



42916

- Reduced shank fits 3/8" portable drills and drill presses.
- Brad point tip starts cleanly on uneven surfaces.

Forstner Bit Set



42940

Plug Cutters



43910

- Recommended for covering fastener holes in furniture, cabinetry, floors, decks, and other woodworking projects.
- Constructed of hardened, high-carbon steel for added strength and durability.
- Ideal for making dowels.

Adjustable Countersinks



90583

Diameter	Shank Size	Twist Length	Overall Length	Item #
1/8"	1/8"	1-7/16"	2-9/16"	49612
3/16"	3/16"	2-1/16"	3-3/8"	49613
1/4"	1/4"	2-1/2"	3-31/32"	49614
5/16"	5/16"	2-15/16"	4-19/32"	49615
3/8"	3/8"	3-7/16"	5-1/4"	49616
7/16"	3/8"	3-11/16"	5-19/32"	49617
1/2"	3/8"	3-31/32"	5-15/16"	49618
Brad Point Drill Bit Set				
5-pc pouched set contains 3/16", 1/4", 5/16", 3/8" & 1/2"				49600

Diameter	Shank Size	Item #
1/4"	3/8"	42904
3/8"	3/8"	42906
1/2"	3/8"	42908
5/8"	3/8"	42910
3/4"	3/8"	42912
7/8"	3/8"	42914
1"	3/8"	42916
1-1/8"	3/8"	42918
1-1/4"	3/8"	42920
1-3/8"	3/8"	42922
1-1/2"	3/8"	42924
1-5/8"	3/8"	42926
1-3/4"	3/8"	42928
1-7/8"	3/8"	42930
2"	3/8"	42932
2-1/8"	3/8"	42934
4" Extension	3/8"	42936
European Hinge Forstner Bit		
35mm	3/8"	4935685
Forstner Bit Set		
4-pc Set contains 5/8", 3/4", 7/8", 1"		
4-pc Set contains 5/8", 3/4", 7/8", 1"		

Diameter	Shank Size	Item #
1/4"	1/4"	43904
3/8"	1/4"	43906
1/2"	1/4"	43908
5/8"	1/4"	43910

Description	Counterbore Diameter	Drill Bit Size	Item #
#4 - 5 Countersink	3/8"	5/64"	90581
#6 - 7 Countersink	3/8"	3/32"	90582
#8 - 9 Countersink	3/8"	7/64"	90583
#10 Countersink	3/8"	1/8"	90584
#12 Countersink	1/2"	9/64"	90585

IRWIN[®]

HANSON[®]

Taps & Dies



www.irwin.com

IRWIN HANSON

IRWIN® HANSON® has been manufacturing High Carbon Steel threading tools for over 100 years, and has proven itself to be a brand you can trust. Performance, thread quality, durability, and ease of use – proven for over a century.



IRWIN TAP FEATURES

1. Chamfer with various styles for specific drilling applications
2. Tap size and recommended drill bit size are laser-etched on each tool for easy identification

Tap and Die Styles

Self-Aligning Taps



8-10 threads

- Starts straight every time
- Ideal for through holes and irregular surfaces

Taper Taps



8-10 threads

- Ideal for tough starting applications
- Preferred use with deep or through-hole applications
- 8 to 10 threads chamfered

Self-Aligning Dies



1" Across Hex Flats

- Starts straight every time
- More steel at critical points for extra strength
- Recommended for use with PTS die stock

Solid Round Dies



1" and 1-1/2" Overall Diameter

- Ideal for general purpose threading
- Fits into adjustable guide or plain die stock handles

Plug Taps



3-5 threads

- Ideal for all general purpose threading
- 3 to 5 threads chamfered
- Most common chamfer

Bottom Taps



1-2 threads

- Ideal for threading close to the bottom of blind holes
- 1 to 2 threads chamfered
- Shortest standard chamfer

Hexagon Dies



5/8", 1", 1-7/16" and 1-13/16" Across Hex Flats

- Best suited for maintenance and repair work
- Recommended for use with hexagonal die stock handles
- In area with limited space, die can be used with a wrench or socket

Adjustable Round Dies



1", 1-1/2", 2" and 3" Overall Diameter

- Ideal for a precision threading with the adjustment of die made by set screw
- Adjustable dies allow the user to under or over cut their threads
- Fits into adjustable guide or plain die stock handles
- Meets Federal Specifications GGG-D-296

Tap & Die Description Guide

10-24 NC

Fastener Diameter

10 - Machine screw size
5/8" - Fractional
8 mm - Metric

Thread Pitch

Threads per inch (machine & fractional)
Distance between threads (metric)

Thread Type

NC = National Coarse (USS)
NF = National Fine (SAE)
NS = National Special
NEF = National Extra Fine
NPT = National Pipe Taper
BSP = British Standard Pipe
(no thread symbol required for metric fasteners)

Applications

General purpose machines and appliances
Automotive parts requiring extreme pressures
Special threads – either diameter or threads per inch
For optical or thin wall parts
For all pipe threads
For all pipe threads

Diam/Type	Decimal Equiv.	Fractional Tap	Machine Screw Tap	Metric Tap	Screw Ext.
1/64"	.0516				
1/32"	.0312				
1.0 mm	.0394				
60	.0400				
59	.0410				
58	.0420				
57	.0430				
56	.0465				
3/64"	.0469		0 - 80 NF		
55	.0520				
54	.0550				
1.5 mm	.0591				
53	.0595		1 - 64 NC 1 - 72NF		
1/16"	.0625				
52	.0635				
51	.0670				
50	.0700		2 - 56 NC 2 - 64 NF		
49	.0730				
48	.0760				
5/64"	.0781		3 - 48 NC		EX-1
47	.0785				
2.0 mm	.0787				
46	.0810				
45	.0820		3 - 56 NF		
44	.0860		4 - 36 NS		
43	.0890		4 - 40 NC		
42	.0935				
3/32"	.0938		4 - 48 NF		
41	.0960			3 mm - 0.60	
40	.0980				
2.5 mm	.0984			3 mm - 0.50	
39	.0995			3 mm - 0.50	
38	.1015	1/8" - 40 NS	5 - 40 NC		
37	.1040		5 - 44 NF		
36	.1065		6 - 32 NC		
7/64"	.1094				EX-2
35	.1100				
34	.1110		6 - 36 NS		
33	.1130		6 - 40 NF		
32	.1160		6 - 48 NS		
3.0 mm	.1181				
31	.1200				
1/8"	.1250				
30	.1285			4 mm - 0.70 4 mm - 0.75	
29	.1360		8 - 32 NC 8 - 36 NF		
3.5 mm	.1378				
28	.1405				

Diam/Type	Decimal Equiv.	Fractional Tap	Machine Screw Tap	Metric Tap	Screw Ext.
9/64"	.1406	8 - 40 NS			ST-1
27	.1440				
26	.1470	3/16" - 24 NS			
25	.1495		10 - 24 NC		
24	.1520				
23	.1540				
5/32"	.1562	3/16" - 32 NS			EX-3
22	.1570				
4.0 mm	.1575				
21	.1590		10 - 32 NF		
20	.1600			5 mm - 0.90	
19	.1660			5 mm - 0.80	
18	.1695				
11/64"	.1719				
17	.1730				
16	.1770		12 - 24 NC		
4.5 mm	.1772				
15	.1800				
14	.1820		12 - 28 NEF		
13	.1850				
3/16"	.1875				ST-2
12	.1890				
11	.1910				
10	.1935		14 - 20 NS		
9	.1960				
5.0 mm	.1969			6 mm - 1.00	
8	.1990			6 mm - 1.00	
7	.2010	1/4" - 20 NC			
13/64"	.2031		14 - 24 NS		
6	.2040				
5	.2055				
4	.2090	1/4" - 24 NS			
3	.2130	1/4" - 28 NF			
5.5 mm	.2165				
7/32"	.2188	1/4" - 32 NEF			
2	.2210				
1	.2280	1/4" - 40 NS			
A	.2340				
15/64"	.2344			7 mm - 1.00	ST-3
6.0 mm	.2362			7 mm - 1.00	
B	.2380				
C	.2420				
D	.2460				
E	.2500				
1/4"	.2500				EX-4
6.5 mm	.2559				
F	.2570	5/16" - 18 NC			

TAPS & DIES

Machine Screw Reference Guide

Before cutting a thread, you must know the rod diameter.

Use the chart at right to determine the appropriate machine screw size:

Machine Screw	Rod Diameter
#0	.060"
#1	.073"
#2	.086"
#3	.099"
#4	.112"
#5	.125"
#6	.138"

Machine Screw	Rod Diameter
#7	.151"
#8	.164"
#9	.179"
#10	.190"
#12	.216"
#14	.242"

Taps & Dies

Tap & Drill Selection Chart

TAPS & DIES

Diam/Type	Decimal Equiv.	Fractional Tap	Pipe Tap	Metric Tap	Screw Ext.
G	.2610				
17/64"	.2656			8 mm - 1.25	
H	.2660				
I	.2720	5/16"-24 NF			
7.0 mm	.2756			8 mm - 1.00	
J	.2770			8 mm - 1.00	
K	.2810				
9/32"	.2812	5/16"-32 NEF			
L	.2900				
M	.2950				
7.5 mm	.2953				
19/64"	.2969				EX-5
N	.3020			9 mm - 1.25	
5/16"	.3125	3/8"- 16 NC			ST-4
8.0 mm	.3150			9 mm - 1.00	
O	.3160			9 mm - 1.00	
P	.3230			9 mm - 0.75	
21/64"	.3281		1/8" - 28 BSP		
Q	.3320	3/8"- 24 NF	1/8" - 27 NPT		
8.5 mm	.3346			10 mm - 1.50	
R	.3390			10 mm - 1.50	
11/32"	.3438			10 mm - 1.25	
S	.3480				
9.0 mm	.3543			10 mm - 1.00	
T	.3580			10 mm - 1.00	
23/64"	.3594				
U	.3680	7/16"- 14 NC			
9.5 mm	.3740			11 mm - 1.50	
3/8"	.3750			11 mm - 1.50	ST-5
V	.3770				
W	.3806				
25/64"	.3906	7/16"- 20 NF			
10.0 mm	.3937				
X	.3970				
Y	.4040				
13/32"	.4062			12 mm - 1.75	EX-6
Z	.4130			12 mm - 1.50	
10.5 mm	.4134			12 mm - 1.50	
27/64"	.4219	1/2"- 13 NC		12 mm - 1.25	
11.0 mm	.4331				
7/16"	.4375		1/4" - 18 NPT		
11.5 mm	.4528				
29/64"	.4531	1/2"-20 NF 1/2"-24 NS	1/4" - 19 BSP		
15/32"	.4688			14 mm - 2.00	ST-6
12.0 mm	.4724			14 mm - 2.00	
31/64"	.4844	9/16"- 12 NC			
12.5 mm	.4921			14 mm - 1.50	

Diam/Type	Decimal Equiv.	Fractional Tap	Pipe Tap	Metric Tap	Screw Ext.
1/2"	.5000			14 mm - 1.25 14 mm - 1.50	
13.0 mm	.5118			14 mm - 1.25	
33/64"	.5156	9/16"- 18 NF			
17/32"	.5313	5/8"- 11 NC			EX-7
35/64"	.5469			16 mm - 2.00	
9/16"	.5625		3/8" - 18 NPT		ST-7
37/64"	.5781	5/8"- 18 NF		16 mm - 1.50	
19/32"	.5938	11/16"-11 NS			
39/64"	.6094			18 mm - 2.50	
5/8"	.6250	11/16"-16 NS			
41/64"	.6406				
21/32"	.6562	3/4" - 10 NC		18 mm - 1.50	
43/64"	.6719				
11/16"	.6875	3/4" - 16 NF		20 mm - 2.50	
45/64"	.7031		1/2" - 14 NPT		
23/32"	.7188				
47/64"	.7344				
3/4"	.7500				
49/64"	.7656				
25/32"	.7812	7/8"- 9 NC			
51/64"	.7969				
13/16"	.8125	7/8"- 14 NF		22 mm - 1.50	EX-8
53/64"	.8281			24 mm - 3.00	
27/32"	.8438				
55/64"	.8594				
7/8"	.8750	1" - 8 NC		24 mm - 2.00	
57/64"	.8906				
29/32"	.9062				
59/64"	.9219	1" - 12 NF	3/4" - 14 NPT		
15/16"	.9375	1" - 14 NS			
61/64"	.9531				
31/32"	.9688				
63/64"	.9844	1-1/8"- 7 NC			
1"	1.0000				
1-1/64"	1.0156				
1-1/32"	1.0312				
1-1/16"	1.0625				EX-9
1-3/32"	1.0938				
1-1/8"	1.1250				
1-5/32"	1.1562		1" - 11-1/2" NPT		
1-3/16"	1.1875				
1-1/4"	1.2500				
1-5/16"	1.3125				
1-3/8"	1.3750				
1-7/16"	1.4375				
1-1/2"	1.5000		1-1/4" - 11-1/2" NPT		

Driving Performance Through Innovation

At IRWIN, we understand it's all about performance, and you only get out of a tool what you put in a tool. The new **Performance Threading System™** drive tools from IRWIN HANSON are a prime example. With exceptional innovation, these threading tools are now easier to use, and aid in maintaining the high thread quality and durability professionals trust. The IRWIN HANSON **Performance Threading System™** drive tools have been engineered to make threading more efficient by reducing the setup time and the number of tools needed.



HANSON PTS Die Stock Handle



4935054

- Die Lock - no more set screws needed
- Simply twist to insert and remove die

HANSON PTS Adjustable Tap Handle & Reamer Wrenches



4935052

- Versatile base, drives with die stock, 3/8" ratchet or T-handle (included)
- Adjustable jaw has two tap sockets that fit No. 4 to 1/2" or 3 mm to 12 mm

Description	Usage	Carded Item #	Bulk Item #
Hanson PTS Die Stock & Tap Driver			
Tap Driver - Small	For Taps No. 4 to 1/4" (3mm to 6mm)	1766068	4935052
Tap Driver - Medium	For Taps 1/4" to 1/2" (6mm to 12mm)	1766069	4935053
Die Stock	For 1" Hexagon Dies; Accepts Small & Medium Adj. Tap Sockets to Drive Taps	1766070	4935054

HANSON PTS Drive Tool Module



4935055

Threading Tools	Item #
Tap Driver - Small: Adj Tap Socket Drives Taps Sizes No. 4 (3mm) To 1/4" (6mm)	4935052
Tap Driver - Medium: Adj Tap Socket Drives Taps Sizes 1/4" (3mm) To 1/2" (12mm)	4935053
Die Stock: Drives 1" Hex Dies With And Without Alignment, Accepts Sm & Med Adjustable Tap Sockets	4935054
Metric Pitch Gauge	11016
SAE Pitch Gauge	11018
Die Spacer Bulk, Hex - IRWIN	1775311
T-Bar For Adj. Tap Socket Bulk - IRWIN	1775312

TAPS & DIES

HANSON Adjustable Tap Handle & Reamer Wrenches



12498

- Straight handle design provides greater leverage, especially when using larger diameter taps
- Designed for use with taps, reamers, screw extractors and other tools with a square shank

HANSON Offset Handle Adjustable Tap & Reamer Wrenches



12421

- Straight handle design provides greater leverage, especially when using larger diameter taps

HANSON Tap Adaptors



3095001

- Adaptors feature a 3/8" square drive to accommodate socket wrench or extension
- Designed for use with taps, reamers, screw extractors, and other tools with a square shank
- Not recommended for cutting new threads

HANSON T-Handle Tap Wrenches



12401

- Designed for use with taps, reamers, screw extractors and other tools with a square shank
- Adjusted and tightened to size by twisting knurled nut
- End of TR-50 & TR-73 wrench has 3/8" square drive to accommodate socket wrench or extension when desired

HANSON T-Handle Ratcheting Tap Wrench



21101

21112

- Three position gear box for quick, efficient ratcheting action
- Designed for use with taps, reamers, screw extractors and other tools with a square shank

Description	Usage	Carded Item #	Bulk Item #
HANSON Offset Handle Adj. Tap Handle & Reamer Wrenches			
TR - 21	For Taps No. 0 to 1/2" (3 mm to 12 mm)	12021	12421
TR - 121	For Taps No. 1/4" to 1" (6 mm to 24 mm)	—	11212
HANSON Adj. Tap Handle & Reamer Wrenches			
TR - 88	For Taps No. 0 to 1/2" (3 mm to 12 mm)	12088	311088
TR - 98	For Taps 1/4" to 1" (6 mm to 24 mm)	—	12498
HANSON Tap Adaptors			
2pc Tap Adaptor Set	2 Sizes for Taps No. 0 to 1/2"	3095001	—
Small Tap Adaptor	For Taps No. 0 to 1/4"	—	3095001A
Large Tap Adaptor	For Taps 1/4" to 1/2"	—	3095001B
HANSON T-Handle Tap Wrench			
TR - 1E	For Taps No. 0 to 1/4" (3 mm to 6 mm)	12001	12401
TR - 1-1/2E	For Taps No. 12 to 5/16"	12115	12415
TR - 2E	For Taps 1/4" to 1/2" (6 mm to 12 mm)	12002	12402
HANSON Tap Wrenches with 3/8" Drive			
TR - 73*	For Taps No. 0 to 1/4" (3 mm - 6 mm) *	12073	12473
TR - 50	For Taps 1/4" to 1/2" (6 mm to 12 mm)	12050	12450
HANSON T-Handle Ratcheting Tap Wrench			
—	For Tap Sizes No. 0 to 1/4" (3 mm to 6 mm)	21201	21101
—	For Tap Sizes 1/4" to 1/2" (6 mm to 12 mm)	21202	21102
—	10" Extended Length for Tap Sizes #0 - 1/4" (3 mm to 6 mm)	21210	21110
—	12" Extended Length for Tap Sizes 1/4" - 1/2" (6 mm to 12 mm)	21212	21112

*Note: TR-73 comes with a hexagon nut

HANSON Adjustable Guide Die Stock Handles



12428

- Maintains alignment for accurate, straight threading

HANSON Plain Die Stock Handles



12416

- Dies easily lock in position with set screw

HANSON Reamers



11221

- For deburring and enlarging holes in sheet metal and similar materials
- Not for use in machine tools

HANSON Metric Measuring Kit with Thread Gauges



12087

- Shows 21 outside diameters (OD) in millimeters and decimals from 2.3 mm (.0906) to 24 mm (.9449)
- Measures thread pitch in millimeters from 0.35 to 3.00

HANSON Thread Pitch Gauges



11016

Description	Usage	Carded Item #	Bulk Item #
HANSON Adj. Guide Die Stock Handles			
DS - 28	For 1" Adjustable Round Dies	—	12428
DS - 35	For 1-1/2" Adjustable Round Dies	—	12435
DS - 45	For 2" Adjustable Round Dies	—	12445
DS - 26	For 1" Hexagon or Round Dies	12026	11026
DS - 36	For 1-7/16" Hexagon Dies	—	12436
DS - 46	For 1-13/16" Hexagon Dies	—	12446
HANSON Plain Die Stock Handles			
DS - 57	For 5/8" Hexagon Dies	—	12457
DS - 13	For 13/16" Round Dies	—	12416
DS - 9	For 1" Hexagon or Round Dies	12008	11008
HANSON Reamers			
Repair Reamer (1/8" to 1/2")		11214	—
Repair Reamer Pouched (1/2" to 1")		11221	—
HANSON Metric Measuring Kit w/Thread Gauges			
Metric Measuring Kit		—	12087
HANSON Thread Pitch Gauges			
16-Leaf Metric Thread Pitch Gauge		12016	11016
16-Leaf Standard and Metric Thread Pitch Gauge		12017	11017
18-Leaf Standard Thread Pitch Gauge		12018	11018

Taps & Dies

High Carbon Steel Taps

HANSON® Machine Screw Taps (HCS)



1032ZR



1132



1232



4935227

- Ideal for routine maintenance, repair work and for rethreading where high accuracy and tolerance thread is not critical
- Straight flutes are ground to provide rapid chip removal for efficient threading
- Designed for hand threading work in a variety of materials
- Taps produce a class 2B thread

Description	No. of Flutes	Plug Carded Item #	Plug Bulk Item #	Taper Bulk Item #	Bottom Bulk Item #	Self Aligning Bulk Item #
0 - 80 NF	2	—	1102ZR	1002	1202	—
1 - 64 NC	2	—	1104	1004	1204ZR	—
1 - 72 NF	2	—	1105ZR	1005	1205	—
2 - 56 NC	3	—	1106ZR	1006ZR	1206	—
2 - 64 NF	3	—	1107	1007	1207	—
3 - 48 NC	3	—	1108ZR	1008ZR	1208ZR	—
3 - 56 NF	3	—	1109	1009ZR	1209ZR	—
4 - 36 NS	3	8011	1111ZR	1011ZR	1211ZR	—
4 - 40 NC	3	8012	1112ZR	1012ZR	1212ZR	4935222
4 - 48 NF	3	—	1113ZR	1013	1213	—
5 - 40 NC	3	—	1116ZR	1016	1216ZR	—
5 - 44 NF	3	—	1117	1017	1217ZR	—
6 - 32 NC	3	8018	1118	1018	1218ZR	4935223
6 - 36 NS	3	—	1119	1019	1219ZR	—
6 - 40 NF	3	—	1120	1020	1220ZR	—
6 - 48 NS	3	—	1121ZR	1021	1221	—
8 - 32 NC	4	8024	1124	1024	1224ZR	4935224
8 - 36 NF	4	—	1125	1025	1225ZR	—
8 - 40 NS	4	—	1126ZR	1026	1226ZR	—
10 - 24 NC	4	8028	1128ZR	1028	1228	4935225
10 - 32 NF	4	8031	1131	1031ZR	1231ZR	4935226
12 - 24 NC	4	8032	1132	1032ZR	1232ZR	4935227
12 - 28 NF	4	—	1133	1033	1233	—
12 - 32 NEF	4	—	1134	1034	1234	—
14 - 20 NS	4	8035	1135ZR	—	1235ZR	—
14 - 24 NS	4	—	1136	1036	1236ZR	—

TAPS & DIES

HANSON Fractional Taps (HCS)



1323



1423



1523



4935229

- Ideal for routine maintenance, repair work and for rethreading where high accuracy and tolerance thread is not critical
- Straight flutes are ground to provide rapid chip removal for efficient threading
- Designed for hand threading work in a variety of materials
- Taps produce a class 2B thread

Description	No. of Flutes	Plug Carded Item #	Plug Bulk Item #	Taper Bulk Item #	Bottom Bulk Item #	Self Aligning Bulk Item #
1/8" - 40 NS	3	—	1406ZR	1306	1506	—
1/8" - 44 NS	3	—	1407	—	—	—
5/32" - 32 NS	3	—	1410	—	—	—
5/32" - 36 NS	3	—	1411	—	—	—
3/16" - 24 NS	4	—	1412ZR	1312ZR	1512	—
3/16" - 32 NS	4	—	1413ZR	1313ZR	1513	—
3/16" - 36 NS	—	—	1415	—	—	—
1/4" - 20 NC	4	8120	1420	1320ZR	1520	4935228
1/4" - 24 NS	4	—	1421	1321ZR	1521	—
1/4" - 28 NF	4	8123	1423ZR	1323ZR	1523	4935229
1/4" - 32 NEF	4	—	1424ZR	1324	1524	—
1/4" - 40 NS	4	—	1425	1325	1525	—
5/16" - 18 NC	4	8127	1427	1327	1527	4935230
5/16" - 24 NF	4	8129	1429ZR	1329ZR	1529ZR	4935231
5/16" - 32 NEF	4	—	1431ZR	1331ZR	1531	—
3/8" - 16 NC	4	8134	1434ZR	1334	1534	4935232
3/8" - 24 NF	4	8136	1436	1336	1536	4935233
7/16" - 14 NC	4	8139	1439ZR	1339ZR	1539	4935234
7/16" - 20 NF	4	8140	1440	1340ZR	1540ZR	4935235
1/2" - 13 NC	4	8144	1444ZR	1344	1544	4935236
1/2" - 20 NF	4	8145	1445	1345	1545	4935237
1/2" - 24 NS	4	—	1446	1346ZR	1546	—
9/16" - 12 NC	4	8148	1448	1348	1548ZR	—
9/16" - 18 NF	4	8149	1449	1349	1549ZR	—
5/8" - 11 NC	4	8152	1452	1352	1552ZR	—
5/8" - 18 NF	4	8154	1454	1354	1554ZR	—
11/16" - 11 NS	4	—	1456ZR	1356ZR	1556ZR	—
11/16" - 16 NS	4	—	1457ZR	1357ZR	1557ZR	—
3/4" - 10 NC	4	8158	1458	1358ZR	1558ZR	—
3/4" - 16 NF	4	8160	1460	1360	1560ZR	—
7/8" - 9 NC	4	—	1461	1361	1561	—
7/8" - 14 NF	4	—	1463	1363ZR	1563	—
1" - 8 NC	4	—	1465ZR	1365ZR	1565ZR	—
1" - 12 NF	4	—	1466ZR	1366ZR	1566ZR	—
1" - 14 NS	4	—	1467ZR	1367ZR	1567ZR	—

HANSON Metric Taps (HCS)



1859

- Ideal for auto repair and machinery where metric threads are specified
- Straight flutes are ground to provide rapid chip removal for efficient threading
- Designed for hand threading work in a variety of materials
- Taps produce a class 2B thread

Description	No. of Flutes	Plug Carded Item #	Plug Bulk Item #	Bottom Bulk Item #	Self Aligning Bulk Item #
3 mm - 0.50	3	8312	1712ZR	1812ZR	4935238
3 mm - 0.60	3	—	1713ZR	—	—
4 mm - 0.70	4	8317	1717ZR	1817ZR	4935239
4 mm - 0.75	4	8318	1718ZR	1818ZR	4935240
5 mm - 0.80	4	8322ZR	1722ZR	1822ZR	4935241
5 mm - 0.90	4	8323ZR	1723ZR	1823ZR	4935242
6 mm - 1.00	4	8327	1727	1827ZR	4935243
6.3 mm - 1.00	4	—	1729ZR	1829	—
7 mm - 1.00	4	8331	1731ZR	1831ZR	4935244
8 mm - 1.00	4	8333	1733ZR	1833ZR	4935245
8 mm - 1.25	4	8334	1734ZR	1834ZR	4935246
9 mm - 0.75	4	8335	1735	—	—
9 mm - 1.00	4	8336	1736	—	4935247
9 mm - 1.25	4	8337	1737	1837ZR	4935248
10 mm - 1.00	4	8338	1738	1838ZR	—
10 mm - 1.25	4	8339	1739	1839	4935249
10 mm - 1.50	4	8340	1740ZR	1840	4935250
11 mm - 1.50	4	8341	1741ZR	—	4935251
12 mm - 1.25	4	8342ZR	1742ZR	1842ZR	4935252
12 mm - 1.50	4	8343ZR	1743ZR	—	—
12 mm - 1.75	4	8344	1744ZR	1844	4935253
14 mm - 1.25	4	—	1749ZR	1849ZR	—
14 mm - 1.50	4	—	1750	—	—
14 mm - 2.00	4	—	1752ZR	1852	—
16 mm - 1.00	4	—	1754ZR	—	—
16 mm - 1.50	4	—	1755ZR	1855	—
16 mm - 2.00	4	—	1756ZR	1856	—
18 mm - 1.50	4	—	1759ZR	1859ZR	—
18 mm - 2.50	4	—	1761ZR	1861ZR	—
20 mm - 2.50	4	—	1764ZR	1864ZR	—
22 mm - 1.50	4	—	1765ZR	1865ZR	—
24 mm - 2.00	4	—	1768ZR	1868ZR	—
24 mm - 3.00	4	—	1769ZR	1869ZR	—

HANSON Pipe Taper Taps (HCS)



1903

- Ideal for pipe fittings
- Cuts internal threads in pipes
- Nominal size of the tap is that of the pipe fitting being tapped
- Available in National Pipe Taper (NPT) and British Standard Pipe Taper (BSP)
- Tapered at a rate of 3/4" per foot

Description	No. of Flutes	Plug Carded Item #	Taper Pouched Item #	Taper Bulk Item #
1/8" - 27 NPT	4	8202	—	1902ZR
1/4" - 18 NPT	4	8203	—	1903ZR
3/8" - 18 NPT	4	—	1904P	1904ZR
1/2" - 14 NPT	4	—	1905P	1905ZR
3/4" - 14 NPT	5	—	1906P	1906ZR
1" - 11-1/2 NPT	5	—	—	1907ZR
1-1/4" - 11-1/2 NPT	5	—	—	1908ZR
1-1/2" - 11-1/2 NPT	6	—	—	1909ZR
2" - 11-1/2 NPT	6	—	—	1910ZR
1/8" - 28 BSP	4	—	—	1911ZR
1/4" - 19 BSP	4	—	—	1912ZR

HANSON 6-piece Pipe Taper Tap Set (HCS)



1921

Set Contents	Item # 1921
1/8" - 27 NPT	1902ZR
1/4" - 18 NPT	1903ZR
3/8" - 18 NPT	1904ZR
1/2" - 14 NPT	1905ZR
3/4" - 14 NPT	1906ZR
1" - 11-1/2 NPT	1907ZR

Taps & Dies

High Carbon Steel Taps

HANSON Spark Plug Taps (HCS)



2459

- Available in standard and metric threads
- Ideal for threading or re-threading spark plug holes

Description	No. of Flutes	Bulk Item #
7/8" - 18 NS	4	2364ZR
14 mm - 1.25	4	2449
18 mm - 1.50	4	2459ZR

HANSON Tap Sets with Taper, Bottoming & Plug Point Styles

2652



- Set contains all three chamfer styles for various uses

Description	No. of Flutes	Item #
5 - 40 NC	3	2516
6 - 32 NC	3	2518
8 - 32 NC	4	2524
10 - 24 NC	4	2528
10 - 32 NF	4	2531
1/8" - 40 NS	3	2606
1/8" - 44 NS	3	2607
5/32" - 32 NS	4	2610
5/32" - 36 NS	4	2611
3/16" - 24 NS	4	2612
3/16" - 32 NS	4	2613ZR
1/4" - 20 NC	4	2620
1/4" - 28 NF	4	2623
5/16" - 18 NC	4	2627
5/16" - 24 NF	4	2629
3/8" - 16 NC	4	2634
3/8" - 24 NF	4	2636
7/16" - 14 NC	4	2639
7/16" - 20 NF	4	2640
1/2" - 13 NC	4	2644
1/2" - 20 NF	4	2645
9/16" - 12 NC	4	2648
9/16" - 18 NF	4	2649ZR
5/8" - 11 NC	4	2652
5/8" - 18 NF	4	2654
3/4" - 10 NC	4	2658ZR
3/4" - 16 NF	4	2660
7/8" - 9 NC	4	2661
7/8" - 14 NF	4	2663
1" - 8 NC	4	2665
1" - 12 NS	4	2666
1" - 14 NF	4	2667
3 mm - 0.50	3	2712
5 mm - 0.80	4	2722
6 mm - 1.00	4	2727
7 mm - 1.00	4	2731
8 mm - 1.00	4	2733
8 mm - 1.25	4	2734
10 mm - 1.00	4	2738
10 mm - 1.25	4	2739
10 mm - 1.50	4	2740
12 mm - 1.25	4	2742
12 mm - 1.75	4	2744
14 mm - 2.00	4	2752
16 mm - 2.00	4	2756

HANSON Tap (HCS) & Drill Bit (HSS)



80238



1765531

- Convenient HCS tap and HSS drill bit set
- Plug taps ideal for general purpose threading
- Self-aligning taps are ideal for through holes and irregular surfaces

Description	Plug Carded Item #	Self Aligning Carded Item #
4 - 40 NC Tap + No. 43 Drill Bit	80209	—
6 - 32 NC Tap + 7/64" Drill Bit	80213	1765531
8 - 32 NC Tap + No. 29 Drill Bit	80217	1765534
10 - 24 NC Tap + No. 25 Drill Bit	80220	1765535
10 - 32 NF Tap + No. 21 Drill Bit	80221	1765536
12 - 24 NC Tap + No. 16 Drill Bit	80222	1765537
1/4" - 20 NC Tap + 13/64" Drill Bit	80230	1765538
1/4" - 28 NF Tap + No. 3 Drill Bit	80232	—
5/16" - 18 NC Tap + Letter G Drill Bit	80235	1765539
3/8" - 16 NC Tap + Letter O Drill Bit	80238	1765540
1/2" - 13 NC Tap + 27/64" Drill Bit	80242	—
1/4" - 18 NPT Tap + 7/16" Drill Bit	80260	—
6 mm - 1.00 Tap + 5mm Drill Bit	80327	1788680
8 mm - 1.25 Tap + 17/64" Drill Bit	80334	1788681
10 mm - 1.50 Tap + 8.5 Drill Bit	80340	1788682

HANSON Tap (HCS) & Drill Bit (HSS) Sets



80187

- These drill and tap sets produce a thread that is strong and easy to tap
- Plug taps ideal for general purpose threading

Description	Contents		Item #
13-pc Set	Lock & Hardware Drill & Tap Set		80185
Thread Size	Plug Tap Item #	Drill Bit Size	Drill Bit Item #
6 - 32 NC	1118	7/64"	30107
8 - 32 NC	1124	No. 29	20129
10 - 24 NC	1128	No. 25	20125
10 - 32 NF	1131	No. 21	20121
12 - 24 NC	1132	No. 16	20116
1/4" - 20 NC	1420	13/64"	30113
Threading Tools			Item #
T-Handle Tap Wrench			12401
13-pc Set	All-Purpose Drill & Tap Set		80187
Thread Size	Plug Tap Item #	Drill Bit Size	Drill Bit Item #
4 - 40 NC	1112	No. 43	20143
6 - 32 NC	1118	7/64"	30107
8 - 32 NC	1124	No. 29	20129
10 - 24 NC	1128	No. 25	20125
10 - 32 NF	1131	No. 21	20121
1/4" - 20 NC	1420	13/64"	30113
Threading Tools			Item #
T-Handle Tap Wrench			12401

HANSON® Self Aligning Dies (HCS)



4935027

- Threads straight every turn
- More steel at critical points for extra strength
- Use with PTS die stock for best performance

Description	1" Across Flat Self Aligning Bulk Item #	1" Across Flat Self Aligning Carded Item #
Machine Screw		
DIE SA 4-40NC 1" HEX	4935018	1799376
DIE SA 6-32NC 1" HEX	4935019	1799378
DIE SA 8-32NC 1" HEX	4935020	1799379
DIE SA 10-24NC 1" HEX	4935021	1799380
DIE SA 10-32NF 1" HEX	4935022	1799481
DIE SA 12-24NC 1" HEX	4935023	1799482
Fractional		
DIE SA 1/4"-20NC 1" HEX	4935024	1799483
DIE SA 1/4"-28NF 1" HEX	4935025	1799484
DIE SA 5/16"-18NC 1" HEX	4935026	1799485
DIE SA 5/16"-24NF 1" HEX	4935027	1799486
DIE SA 3/8"-16NC 1" HEX	4935028	1799487
DIE SA 3/8"-24NF 1" HEX	4935029	1799488
DIE SA 7/16"-14NC 1" HEX	4935030	1799489
DIE SA 7/16"-20NF 1" HEX	4935031	1799490
DIE SA 1/2"-13NC 1" HEX	4935032	1799491
DIE SA 1/2"-20NF 1" HEX	4935033	1799492
Metric		
DIE SA 3-0 5MM 1" HEX	4935035	1799493
DIE SA 4-0 7MM 1" HEX	4935036	1799494
DIE SA 4-0 75MM 1" HEX	4935037	1799495
DIE SA 5-0 8MM 1" HEX	4935038	1799496
DIE SA 5-0 9MM 1" HEX	4935039	1799497
DIE SA 6-1MM 1" HEX	4935040	1799498
DIE SA 7-1MM 1" HEX	4935041	1799499
DIE SA 8-1MM 1" HEX	4935042	1799500
DIE SA 8-1 25MM 1" HEX	4935043	1799501
DIE SA 9-1MM 1" HEX	4935044	1799502
DIE SA 9-1 25MM 1" HEX	4935045	1799503
DIE SA 10-1 25MM 1" HEX	4935046	1799504
DIE SA 10-1 5MM 1" HEX	4935047	1799505
DIE SA 11-1 5MM 1" HEX	4935048	1799506
DIE SA 12-1 25MM 1" HEX	4935049	1799507
DIE SA 12-1 75MM 1" HEX	4935050	1799508
DIE SA 1/8" - 28BSP 1"HEX	4935051	-

HANSON Hexagon Machine Screw Dies (HCS)



6432

HANSON Hexagon Fractional Dies (HCS)



6544



8461

- Ideal for maintenance and repair work
- Recommended for use with hexagon die stock
- Die can be used with a wrench or socket when space is limited

Description	1" Across Flat Carded Item #	1" Across Flat Bulk Item #	1-7/16" Across Flat Bulk Item #	1-13/16" Across Flat Bulk Item #
Machine				
4 - 36 NS	9311	6411ZR	--	--
4 - 40 NC	9312	6412ZR	--	--
5 - 40 NC	--	6416ZR	--	--
6 - 32 NC	9318	6418	--	--
8 - 32 NC	9324	6424	--	--
10 - 24 NC	9328	6428	--	--
10 - 32 NF	9331ZR	6431	--	--
12 - 24 NC	9332ZR	6432ZR	--	--
14 - 20 NS	9335ZR	6435	--	--

Description	1" Across Flat Carded Item #	1" Across Flat Bulk Item #	1-7/16" Across Flat Bulk Item #	1-13/16" Across Flat Bulk Item #
Fractional				
3/16" - 24 NS	--	6512	--	--
1/4" - 20 NC	9420ZR	6520ZR	--	--
1/4" - 28 NF	9423	6523ZR	--	--
5/16" - 18 NC	9427	6527	--	--
5/16" - 24 NF	9429	6529	--	--
3/8" - 16 NC	9434	6534ZR	--	--
3/8" - 24 NF	9436	6536	--	--
7/16" - 14 NC	9439	6539	--	--
7/16" - 20 NF	9440	6540	--	--
1/2" - 13 NC	9444	6544	--	--
1/2" - 20 NF	9445	6545	--	--
9/16" - 12 NC	--	--	6848	--
9/16" - 18 NF	--	--	6849	--
5/8" - 11 NC	--	--	6852	--
5/8" - 18 NF	--	--	6854	--
3/4" - 10 NC	--	--	6858	--
3/4" - 16 NF	--	--	6860ZR	--
7/8" - 9 NC	--	--	--	8461
7/8" - 14 NF	--	--	--	8463
1" - 8 NC	--	--	--	8465
1" - 14 NS	--	--	--	8467

TAPS & DIES

Taps & Dies

High Carbon Steel Dies

HANSON® Hexagon Metric Dies (HCS)



6638



6949



8569

- Ideal for automotive repair and machinery where metric threads are specified

TAPS & DIES

Description	1" Across Flat Carded Item #	1" Across Flat Bulk Item #	1-7/16" Across Flat Bulk Item #	1-13/16" Across Flat Bulk Item #
3 mm - 0.50	9712	6612ZR	—	—
3 mm - 0.60	—	6613	—	—
4 mm - 0.70	9717	6617	—	—
4 mm - 0.75	9718	6618	—	—
5 mm - 0.80	9722ZR	6622	—	—
5 mm - 0.90	9723ZR	6623	—	—
6 mm - 1.00	9727ZR	6627	—	—
6.3 mm - 1.00	—	6629	—	—
7 mm - 1.00	9731	6631	—	—
8 mm - 1.00	9733	6633	—	—
8 mm - 1.25	9734	6634	—	—
9 mm - 0.75	9735	6635	—	—
9 mm - 1.00	9736	6636	—	—
9 mm - 1.25	9737	6637	—	—
10 mm - 1.00	9738	6638	—	—
10 mm - 1.25	9739	6639	—	—
10 mm - 1.50	9740	6640	—	—
11 mm - 1.50	9741	6641	—	—
12 mm - 1.25	9742	6642ZR	—	—
12 mm - 1.50	9743	6643	—	—
12 mm - 1.75	9744	6644	—	—
14 mm - 1.25	—	—	6949ZR	—
14 mm - 1.50	—	—	6950ZR	—
14 mm - 2.00	—	—	6952	—
16 mm - 1.00	—	—	6954	—
16 mm - 1.50	—	—	6955ZR	—
16 mm - 2.00	—	—	6956	—
18 mm - 1.50	—	—	6959	—
18 mm - 2.50	—	—	6961ZR	—
20 mm - 2.50	—	—	—	8564ZR
22 mm - 1.50	—	—	—	8565ZR
24 mm - 2.00	—	—	—	8568
24 mm - 3.00	—	—	—	8569

HANSON Hexagon Pipe Taper Dies (HCS)



6703



7004

- Ideal for plumbing and air applications

Description	1" Across Flat Carded Item #	1" Across Flat Bulk Item #	1-7/16" Across Flat Bulk Item #
1/8" - 27 NPT	9502ZR	6702	—
1/4" - 18 NPT	9503ZR	6703	—
3/8" - 18 NPT	—	—	7004
1/2" - 14 NPT	—	—	7005
1/8" - 28 BSP	—	6711	—
1/4" - 19 BSP	—	6712	—

HANSON Round Machine Screw Dies (HCS)



3718



3028

- Solid round dies ideal for general purpose threading
- Adjustable round dies ideal for precision threading

Description	1" Overall Diam. Screw Adj. Bulk Item #	1" Overall Diam. Solid Bulk Item #
0 - 80 NF	3702	—
1 - 72 NF	3705	—
2 - 64 NF	3707	—
4 - 40 NC	3712	—
4 - 48 NF	3713	—
5 - 40 NC	3716	—
5 - 44 NF	3717	—
6 - 32 NC	3718	—
6 - 36 NS	3719	—
6 - 40 NF	3720	—
6 - 48 NS	3721ZR	—
8 - 32 NC	3724	—
8 - 36 NF	3725ZR	—
8 - 40 NS	3726ZR	—
10 - 24 NC	3728	3028ZR
10 - 32 NF	3731	—
12 - 24 NC	3732	—
12 - 28 NF	3733	—
12 - 32 NEF	3734	—
14 - 20 NS	3735	—
14 - 24 NS	3736	—

HANSON Round Fractional Dies (HCS)



3820



3120

- Solid round dies ideal for general purpose threading
- Adjustable round dies ideal for precision threading

Description	1" Overall Diam. Screw Adj. Bulk Item #	1" Overall Diam. Solid Bulk Item #
3/16" - 32 NS	3813	—
3/16" - 36 MS	3815	—
1/4" - 20 NC	3820ZR	3120
1/4" - 24 NS	3821	—
1/4" - 28 NF	3823	—
1/4" - 32 NEF	3824	—
1/4" - 40 NS	3825	—
5/16" - 18 NC	3827	3127
5/16" - 24 NF	3829	—
5/16" - 32 NEF	3831	—
3/8" - 16 NC	3834	3134
3/8" - 24 NF	3836	—
7/16" - 14 NC	3839	—
7/16" - 20 NF	3840	—
1/2" - 13 NC	3844	3144
1/2" - 20 NF	3845	—
1/2" - 24 NS	3846	—

TAPS & DIES

Taps & Dies

High Carbon Steel Dies

HANSON Adjustable Round Fractional Dies Right & Left-Hand (HCS)



4020



7520



7652

TAPS & DIES

- Adjustable round dies ideal for precision threading
- Left-hand dies cut threads with a left-hand rotation

Description	Right-Hand 1-1/2" O.D. Bulk Item #	Right-Hand 2" O.D. Bulk Item #	Right-Hand 3" O.D. Bulk Item #	Left-Hand 1" O.D. Bulk Item #	Left-Hand 1-1/2" O.D. Bulk Item #
1/4" - 20 NC	4020ZR	—	—	7520	—
1/4" - 28 NF	4023	—	—	7523	—
5/16" - 18 NC	4027ZR	4227	—	7527	—
5/16" - 24 NF	4029ZR	—	—	7529	—
3/8" - 16 NC	4034ZR	—	—	7534	—
3/8" - 24 NF	4036	—	—	7536	—
7/16" - 14 NC	4039ZR	—	—	7539	—
7/16" - 20 NF	4040ZR	—	—	7540	—
1/2" - 13 NC	4044	—	—	7544ZR	—
1/2" - 20 NF	4045ZR	—	—	7545	—
9/16" - 12 NC	4048ZR	—	—	—	7648
9/16" - 18 NF	4049ZR	—	—	—	7649
5/8" - 11 NC	4052	—	—	—	7652
5/8" - 18 NF	4054	—	—	—	7654
11/16" - 11 NS	4056	—	—	—	—
11/16" - 16 NS	4057	—	—	—	—
3/4" - 10 NC	4058ZR	—	—	—	7658
3/4" - 16 NF	4060ZR	—	—	—	7660
7/8" - 9 NC	—	4261	—	—	—
7/8" - 14 NF	—	4263	—	—	—
1" - 8 NC	—	4265	—	—	—
1" - 12 NF	—	4266	—	—	—
1" - 14 NS	—	4267	—	—	—
1-1/8" - 7 NC	—	—	4668	—	—
1-1/8" - 12 NF	—	—	4669	—	—
1-1/4" - 7 NC	—	—	4670	—	—
1-1/4" - 12 NF	—	—	4671	—	—
1-3/8" - 6 NC	—	—	4672	—	—
1-3/8" - 12 NF	—	—	4673	—	—
1-1/2" - 6 NC	—	—	4674	—	—
1-1/2" - 12 NF	—	—	4675	—	—

HANSON Round Pipe Taper Dies (HCS)



4102

Description	1-1/2" O.D. Solid Round Bulk Item #	1-1/2" O.D. Screw Adj. Bulk Item #	1" O.D. Screw Adj. Bulk Item #	2" O.D. Screw Adj. Bulk Item #
1/8" - 27 NPT	4102	5102	502101*	—
1/4" - 18 NPT	4103	5103	—	—
3/8" - 18 NPT	4104	5104	—	—
1/2" - 14 NPT	4105	5105	—	—
1/2" - 14 NPT	—	—	—	4305
3/4" - 14 NPT	—	—	—	4306

*Note: 502101 is a High Speed Steel Die

HANSON 116-Piece Mach / Fractional / Metric Plug Tap and 1" Hex Die Set



1813817



Set Contents			Set Item # 1813817	
Thread Size	Tap Item #	Die Item #	Drill Bit Size	Drill Bit Item #
Machine Screw	Plug Style	1" Hexagon		
4 - 40 NC	1112ZR	6412ZR	No. 43	80143
6 - 32 NC	1118	6418	No. 36	80136
8 - 32 NC	1124	6424	No. 29	80129
10 - 24 NC	1128ZR	6428	No.25	80125
10 - 32 NF	1131	6431	No.21	80121
12 - 24 NC	1132	6432ZR	No. 16	80116
Fractional				
1/4" - 20 NC	1420	6520ZR	No.7	80107
1/4" - 28 NF	1423ZR	6523ZR	No.3	80103
5/16" - 18 NC	1427	6527	Letter F	40106
5/16" - 24 NF	1429ZR	6529	Letter I	40109
3/8" - 16 NC	1434ZR	6534ZR	5/16"	60120
3/8" - 24 NF	1436	6536	Letter Q	40117
7/16" - 14 NC	1439ZR	6539	Letter U	40121
7/16" - 20 NF	1440	6540	25/64"	60125
1/2" - 13 NC	1444ZR	6544	27/64"	60127
1/2" - 20 NF	1445	6545	29/64"	60129
Metric				
3 mm - 0.50	1712ZR	6612ZR	No. 39	80139
4 mm - 0.70	1717ZR	6617	No. 30	80130
4 mm - 0.75	1718ZR	6618	No. 30	80130
5 mm - 0.80	1722ZR	6622	No. 19	90119
5 mm - 0.90	1723ZR	6623	No. 20	80120
6 mm - 1.00	1727	6627	No. 9	80109
7 mm - 1.00	1731ZR	6631	Letter B	40102
8 mm - 1.00	1733ZR	6633	Letter J	40110
8 mm - 1.25	1734ZR	6634	Letter H	40108
9 mm - 1.00	1736	6636	Letter O	40115
9 mm - 1.25	1737	6637	5/16"	60120
10 mm - 1.25	1739	6639	Letter S	40119
10 mm - 1.50	1740ZR	6640	Letter R	40118
11 mm - 1.50	1741ZR	6641	3/8"	60124
12 mm - 1.25	1743ZR	6642ZR	Letter Z	40126
12 mm - 1.75	1744ZR	6644	13/32"	60126
Pipe				
1/8" - 27 NPT	1902ZR	6702	Letter Q	40117
1/8" - 28 BSP	1911ZR	6711	21/64"	60121
Spiral Flute Screw Extractor			Drill Bit Size	Item #
EX - 1			5/64"	60105
EX - 2			7/64"	60107
EX - 3			5/32"	60110
EX - 4			1/4"	60116
EX - 5			19/64"	60119
Threading Tools				Item #
PTS Die Stock - 1"				4935054
PTS Die Spacer				1775311
PTS Adj Tap Socket - Small No. 4 to 1/4" (3 mm-6 mm)				4935052
PTS Adj Tap Socket - Medium 1/4" to 1/2" (6 mm - 12 mm)				4935053
T-Bar for Adj Tap Socket				1775312
SAE Pitch Gauge				11018
Metric Pitch Gauge				11016

TAPS & DIES

HANSON 116-Piece Mach / Fractional / Metric Self Alignment Tap and Die Set



Starts Straight



1841432



TAPS & DIES

Set Contents			Set Item # 1841432	
Thread Size Machine Screw	Tap Item # Self-Aligning	Die Item # Self-Aligning	Drill Bit Size	Drill Bit Item #
4 - 40 NC	4935222	4935018	No. 43	80143
6 - 32 NC	4935223	4935019	No. 36	80136
8 - 32 NC	4935224	4935020	No. 29	80129
10 - 24 NC	4935225	4935021	No.25	80125
10 - 32 NF	4935226	4935022	No.21	80121
12 - 24 NC	4935227	4935023	No. 16	80116
Fractional				
1/4" - 20 NC	4935228	4935024	No.7	80107
1/4" - 28 NF	4935229	4935025	No.3	80103
5/16" -18 NC	4935230	4935026	Letter F	40106
5/16" - 24 NF	4935231	4935027	Letter I	40109
3/8" - 16 NC	4935232	4935028	5/16"	60120
3/8" - 24 NF	4935233	4935029	Letter Q	40117
7/16" - 14 NC	4935234	4935030	Letter U	40121
7/16" - 20 NF	4935235	4935031	25/64"	60125
1/2" - 13 NC	4935236	4935032	27/64"	60127
1/2" - 20 NF	4935237	4935033	29/64"	60129
Metric				
3 mm - 0.50	4935238	4935035	No. 39	80139
4 mm - 0.70	4935239	4935036	No. 30	80130
4 mm - 0.75	4935240	4935037	No. 30	80130
5 mm - 0.80	4935241	4935038	No. 19	90119
5 mm - 0.90	4935242	4935039	No. 20	80120
6 mm - 1.00	4935243	4935040	No. 9	80109
7 mm - 1.00	4935244	4935041	Letter B	40102
8 mm - 1.00	4935245	4935042	Letter J	40110
8 mm - 1.25	4935246	4935043	Letter H	40108
9 mm - 1.00	4935247	4935044	Letter O	40115
9 mm - 1.25	4935248	4935045	5/16"	60120
10 mm - 1.25	4935249	4935046	Letter S	40119
10 mm - 1.50	4935250	4935047	Letter R	40118
11 mm - 1.50	4935251	4935048	3/8"	60124
12 mm - 1.25	4935252	4935049	Letter Z	40126
12 mm - 1.75	4935253	4935050	13/32"	60126
Pipe				
1/8" - 27 NPT	1902ZR	6702	Letter Q	40117
1/8" - 28 BSP	1911ZR	6711	21/64"	60121
Spiral Flute Screw Extractor			Drill Bit Size	Item #
EX - 1			5/64"	60105
EX - 2			7/64"	60107
EX - 3			5/32"	60110
EX - 4			1/4"	60116
EX - 5			19/64"	60119
Threading Tools				Item #
PTS Die Stock - 1"				4935054
PTS Die Spacer				1775311
PTS Adj Tap Socket - Small No. 4 to 1/4" (3 mm-6 mm)				4935052
PTS Adj Tap Socket - Medium 1/4" to 1/2" (6 mm - 12 mm)				4935053
T-Bar for Adj Tap Socket				1775312
SAE Pitch Gauge				11018
Metric Pitch Gauge				11016

HANSON 75-Piece Mach / Fractional / Metric Plug Tap and 1" Hex Die Set



1813816



Set Contents		Set Item # 1813816
Thread Size	Tap Item #	Die Item #
Machine Screw	Plug Style	1" Hexagon
4 - 40 NC	1112ZR	6412ZR
6 - 32 NC	1118	6418
8 - 32 NC	1124	6424
10 - 24 NC	1128ZR	6428
10 - 32 NF	1131	6431
12 - 24 NC	1132	6432ZR
Fractional		
1/4" - 20 NC	1420	6520ZR
1/4" - 28 NF	1423ZR	6523ZR
5/16" - 18 NC	1427	6527
5/16" - 24 NF	1429ZR	6529
3/8" - 16 NC	1434ZR	6534ZR
3/8" - 24 NF	1436	6536
7/16" - 14 NC	1439ZR	6539
7/16" - 20 NF	1440	6540
1/2" - 13 NC	1444ZR	6544
1/2" - 20 NF	1445	6545
Metric		
3 mm - 0.50	1712ZR	6612ZR
4 mm - 0.70	1717ZR	6617
4 mm - 0.75	1718ZR	6618
5 mm - 0.80	1722ZR	6622
5 mm - 0.90	1723ZR	6623
6 mm - 1.00	1727	6627
7 mm - 1.00	1731ZR	6631
8 mm - 1.00	1733ZR	6633
8 mm - 1.25	1734ZR	6634
9 mm - 1.00	1736	6636
9 mm - 1.25	1737	6637
10 mm - 1.25	1739	6639
10 mm - 1.50	1740ZR	6640
11 mm - 1.50	1741ZR	6641
12 mm - 1.25	1743ZR	6642ZR
12 mm - 1.75	1744ZR	6644
Pipe		
1/8" - 27 NPT	1902ZR	6702
1/8" - 28 BSP	1911ZR	6711
Threading Tools		Item #
PTS Die Stock - 1"		4935054
PTS Die Spacer		1775311
PTS Adj Tap Socket - Small No. 4 to 1/4" (3 mm-6 mm)		4935052
PTS Adj Tap Socket - Medium 1/4" to 1/2" (6 mm - 12 mm)		4935053
T-Bar for Adj Tap Socket		1775312
SAE Pitch Gauge		11018
Metric Pitch Gauge		11016

TAPS & DIES

HANSON 75-Piece Mach / Fractional / Metric Self Alignment Tap and Die Set



1841350



Starts Straight



TAPS & DIES

Set Contents		Set Item # 1841350
Thread Size	Tap Item #	Die Item #
Machine Screw	Self-Aligning	Self-Aligning
4 - 40 NC	4935222	4935018
6 - 32 NC	4935223	4935019
8 - 32 NC	4935224	4935020
10 - 24 NC	4935225	4935021
10 - 32 NF	4935226	4935022
12 - 24 NC	4935227	4935023
Fractional		
1/4" - 20 NC	4935228	4935024
1/4" - 28 NF	4935229	4935025
5/16" - 18 NC	4935230	4935026
5/16" - 24 NF	4935231	4935027
3/8" - 16 NC	4935232	4935028
3/8" - 24 NF	4935233	4935029
7/16" - 14 NC	4935234	4935030
7/16" - 20 NF	4935235	4935031
1/2" - 13 NC	4935236	4935032
1/2" - 20 NF	4935237	4935033
Metric		
3 mm - 0.50	4935238	4935035
4 mm - 0.70	4935239	4935036
4 mm - 0.75	4935240	4935037
5 mm - 0.80	4935241	4935038
5 mm - 0.90	4935242	4935039
6 mm - 1.00	4935243	4935040
7 mm - 1.00	4935244	4935041
8 mm - 1.00	4935245	4935042
8 mm - 1.25	4935246	4935043
9 mm - 1.00	4935247	4935044
9 mm - 1.25	4935248	4935045
10 mm - 1.25	4935249	4935046
10 mm - 1.50	4935250	4935047
11 mm - 1.50	4935251	4935048
12 mm - 1.25	4935252	4935049
12 mm - 1.75	4935253	4935050
Pipe		
1/8" - 27 NPT	1902ZR	6702
1/8" - 28 BSP	1911ZR	6711
Threading Tools		Item #
PTS Die Stock - 1"		4935054
PTS Die Spacer		1775311
PTS Adj Tap Socket - Small No. 4 to 1/4" (3 mm-6 mm)		4935052
PTS Adj Tap Socket - Medium 1/4" to 1/2" (6 mm - 12 mm)		4935053
T-Bar for Adj Tap Socket		1775312
SAE Pitch Gauge		11018
Metric Pitch Gauge		11016

HANSON 40-Piece Machine Screw & Fractional Plug Tap and 1" Hex Die Set



1835091



Set Contents		Set Item # 1835091
Thread Size	Tap Item #	Die Item #
Machine Screw	Plug Style	1" Hexagon
4 - 40 NC	1112ZR	6412ZR
6 - 32 NC	1118	6418
8 - 32 NC	1124	6424
10 - 24 NC	1128ZR	6428
10 - 32 NF	1131	6431
12 - 24 NC	1132	6432ZR
Fractional		
1/4" - 20 NC	1420	6520ZR
1/4" - 28 NF	1423ZR	6523ZR
5/16" - 18 NC	1427	6527
5/16" - 24 NF	1429ZR	6529
3/8" - 16 NC	1434ZR	6534ZR
3/8" - 24 NF	1436	6536
7/16" - 14 NC	1439ZR	6539
7/16" - 20 NF	1440	6540
1/2" - 13 NC	1444ZR	6544
1/2" - 20 NF	1445	6545
Pipe		
1/8" - 27 NPT	1902ZR	6702
Threading Tools		Item #
PTS Die Stock - 1"		4935054
PTS Die Spacer		1775311
PTS Adj Tap Socket - Small No. 4 to 1/4" (3 mm-6 mm)		4935052
PTS Adj Tap Socket - Medium 1/4" to 1/2" (6 mm - 12 mm)		4935053
T-Bar for Adj Tap Socket		1775312
SAE Pitch Gauge		11018

HANSON 40-Piece Machine Screw & Fractional Self Alignment Tap and Die Set



1841346



Starts Straight



Set Contents		Set Item # 1841346
Thread Size	Tap Item #	Die Item #
Machine Screw	Self-Aligning	Self-Aligning
4 - 40 NC	4935222	4935018
6 - 32 NC	4935223	4935019
8 - 32 NC	4935224	4935020
10 - 24 NC	4935225	4935021
10 - 32 NF	4935226	4935022
12 - 24 NC	4935227	4935023
Fractional		
1/4" - 20 NC	4935228	4935024
1/4" - 28 NF	4935229	4935025
5/16" - 18 NC	4935230	4935026
5/16" - 24 NF	4935231	4935027
3/8" - 16 NC	4935232	4935028
3/8" - 24 NF	4935233	4935029
7/16" - 14 NC	4935234	4935030
7/16" - 20 NF	4935235	4935031
1/2" - 13 NC	4935236	4935032
1/2" - 20 NF	4935237	4935033
Pipe		
1/8" - 27 NPT	1902ZR	6702
Threading Tools		Item #
PTS Die Stock - 1"		4935054
PTS Die Spacer		1775311
PTS Adj Tap Socket - Small No. 4 to 1/4" (3 mm-6 mm)		4935052
PTS Adj Tap Socket - Medium 1/4" to 1/2" (6 mm - 12 mm)		4935053
T-Bar for Adj Tap Socket		1775312
SAE Pitch Gauge		11018

HANSON 40-Piece Metric Plug Tap and 1" Hex Die Set



1835092



TAPS & DIES

HANSON 40-Piece Metric Self Alignment Tap and Die Set



1841348



Starts Straight



Set Contents		Set Item # 1813816
Thread Size	Tap Item #	Die Item #
Metric	Plug Style	1" Hexagon
3 mm - 0.50	1712ZR	6612ZR
4 mm - 0.70	1717ZR	6617
4 mm - 0.75	1718ZR	6618
5 mm - 0.80	1722ZR	6622
5 mm - 0.90	1723ZR	6623
6 mm - 1.00	1727	6627
7 mm - 1.00	1731ZR	6631
8 mm - 1.00	1733ZR	6633
8 mm - 1.25	1734ZR	6634
9 mm - 1.00	1736	6636
9 mm - 1.25	1737	6637
10 mm - 1.25	1739	6639
10 mm - 1.50	1740ZR	6640
11 mm - 1.50	1741ZR	6641
12 mm - 1.25	1743ZR	6642ZR
12 mm - 1.75	1744ZR	6644
Pipe		
1/8" - 28 BSP	1911ZR	6711
Threading Tools		Item #
PTS Die Stock - 1"		4935054
PTS Die Spacer		1775311
PTS Adj Tap Socket - Small No. 4 to 1/4" (3 mm-6 mm)		4935052
PTS Adj Tap Socket - Medium 1/4" to 1/2" (6 mm - 12 mm)		4935053
T-Bar for Adj Tap Socket		1775312
Metric Pitch Gauge		11016

Set Contents		Set Item # 1841348
Thread Size	Tap Item #	Die Item #
Metric	Self-Aligning	Self-Aligning
3 mm - 0.50	4935238	4935035
4 mm - 0.70	4935239	4935036
4 mm - 0.75	4935240	4935037
5 mm - 0.80	4935241	4935038
5 mm - 0.90	4935242	4935039
6 mm - 1.00	4935243	4935040
7 mm - 1.00	4935244	4935041
8 mm - 1.00	4935245	4935042
8 mm - 1.25	4935246	4935043
9 mm - 1.00	4935247	4935044
9 mm - 1.25	4935248	4935045
10 mm - 1.25	4935249	4935046
10 mm - 1.50	4935250	4935047
11 mm - 1.50	4935251	4935048
12 mm - 1.25	4935252	4935049
12 mm - 1.75	4935253	4935050
Pipe		
1/8" - 28 BSP	1911ZR	6711
Threading Tools		Item #
PTS Die Stock - 1"		4935054
PTS Die Spacer		1775311
PTS Adj Tap Socket - Small No. 4 to 1/4" (3 mm-6 mm)		4935052
PTS Adj Tap Socket - Medium 1/4" to 1/2" (6 mm - 12 mm)		4935053
T-Bar for Adj Tap Socket		1775312
Metric Pitch Gauge		11016

HANSON 41-Piece Machine Screw, Fractional & Metric Plug Tap Set



1840234



HANSON 41-Piece Machine Screw, Fractional & Metric Self Alignment Tap Set



1840235



Starts Straight



Set Contents		Set Item # 1840234	
Thread Size Machine Screw	Tap Item # Plug Style	Thread Size Metric	Tap Item # Plug Style
4-40NC	1112ZR	3 mm - 0.50	1712ZR
6-32NC	1118	4 mm - 0.70	1717ZR
8-32NC	1124	4 mm - 0.75	1718ZR
10-24NC	1128ZR	5 mm - 0.80	1722ZR
10-32NF	1131	5 mm - 0.90	1723ZR
12-24NC	1132	6 mm - 1.00	1727
Fractional		7 mm - 1 .00	1731ZR
1/4"-20NC	1420	8 mm - 1.00	1733ZR
1/4"-28NF	1423ZR	8 mm - 1.25	1734ZR
5/16"-18NC	1427	9 mm - 1.00	1736
5/16"-24NF	1429ZR	9 mm - 1.25	1737
3/8"-16NC	1434ZR	10 mm - 1.25	1739
3/8"-24NF	1436	10 mm - 1.50	1740ZR
7/16"-14NC	1439ZR	11 mm - 1.50	1741ZR
7/16"-20NF	1440	12 mm - 1.25	1743ZR
1/2"-13NC	1444ZR	12 mm - 1.75	1744ZR
1/2"-20NF	1445		
Pipe		Pipe	
1/8"-27NPT	1902ZR	1/8"-28BSP	1911ZR
Threading Tools		Item #	
PTS Die Stock - 1"			4935054
PTS Die Spacer			1775311
PTS Adj Tap Socket - Small No. 4 to 1/4" (3 mm-6 mm)			4935052
PTS Adj Tap Socket - Medium 1/4" to 1/2" (6 mm - 12 mm)			4935053
T-Bar for Adj Tap Socket			1775312
SAE Pitch Gauge			11018
Metric Pitch Gauge			11016

Set Contents		Set Item # 1840235	
Thread Size Machine Screw	Tap Item # Self-Aligning	Thread Size Metric	Tap Item # Self-Aligning
4-40NC	4935222	3 mm - 0.50	4935238
6-32NC	4935223	4 mm - 0.70	4935239
8-32NC	4935224	4 mm - 0.75	4935240
10-24NC	4935225	5 mm - 0.80	4935241
10-32NF	4935226	5 mm - 0.90	4935242
12-24NC	4935227	6 mm - 1.00	4935243
Fractional		7 mm - 1 .00	4935244
1/4"-20NC	4935228	8 mm - 1.00	4935245
1/4"-28NF	4935229	8 mm - 1.25	4935246
5/16"-18NC	4935230	9 mm - 1.00	4935247
5/16"-24NF	4935231	9 mm - 1.25	4935248
3/8"-16NC	4935232	10 mm - 1.25	4935249
3/8"-24NF	4935233	10 mm - 1.50	4935250
7/16"-14NC	4935234	11 mm - 1.50	4935251
7/16"-20NF	4935235	12 mm - 1.25	4935252
1/2"-13NC	4935236	12 mm - 1.75	4935253
1/2"-20NF	4935237		
Pipe		Pipe	
1/8"-27NPT	1902ZR	1/8"-28BSP	1911ZR
Threading Tools		Item #	
PTS Die Stock - 1"			4935054
PTS Die Spacer			1775311
PTS Adj Tap Socket - Small No. 4 to 1/4" (3 mm-6 mm)			4935052
PTS Adj Tap Socket - Medium 1/4" to 1/2" (6 mm - 12 mm)			4935053
T-Bar for Adj Tap Socket			1775312
SAE Pitch Gauge			11018
Metric Pitch Gauge			11016

TAPS & DIES

HANSON 38-Piece Machine Screw, Fractional & Metric 1" Hex Die Set



1840236



Set Contents		Set Item # 1840236	
Thread Size Machine Screw	Die Item # 1" Hexagonal	Thread Size Metric	Die Item # 1" Hexagonal
4-40NC	6412ZR	3 mm - 0.50	6612ZR
6-32NC	6418	4 mm - 0.70	6617
8-32NC	6424	4 mm - 0.75	6618
10-24NC	6428	5 mm - 0.80	6622
10-32NF	6431	5 mm - 0.90	6623
12-24NC	6432ZR	6 mm - 1.00	6627
Fractional		7 mm - 1.00	6631
1/4"-20NC	6520ZR	8 mm - 1.00	6633
1/4"-28NF	6523ZR	8 mm - 1.25	6634
5/16"-18NC	6527	9 mm - 1.00	6636
5/16"-24NF	6529	9 mm - 1.25	6637
3/8"-16NC	6534ZR	10 mm - 1.25	6639
3/8"-24NF	6536	10 mm - 1.50	6640
7/16"-14NC	6539	11 mm - 1.50	6641
7/16"-20NF	6540	12 mm - 1.25	6642ZR
1/2"-13NC	6544	12 mm - 1.75	6644
1/2"-20NF	6545		
Pipe		Pipe	
1/8"-27NPT	1902ZR	1/8"-28BSP	1911ZR
Threading Tools		Item #	
PTS Die Stock - 1"		4935054	
PTS Die Spacer		1775311	
SAE Pitch Gauge		11018	
Metric Pitch Gauge		11016	

TAPS & DIES

HANSON 38-Piece Machine Screw, Fractional & Metric Self Alignment Die Set



1840237



Starts Straight



Set Contents		Set Item # 1840237	
Thread Size Machine Screw	Die Item # Self-Aligning	Thread Size Metric	Die Item # Self-Aligning
4-40NC	4935018	3 mm - 0.50	4935035
6-32NC	4935019	4 mm - 0.70	4935036
8-32NC	4935020	4 mm - 0.75	4935037
10-24NC	4935021	5 mm - 0.80	4935038
10-32NF	4935022	5 mm - 0.90	4935039
12-24NC	4935023	6 mm - 1.00	4935040
Fractional		7 mm - 1.00	4935041
1/4"-20NC	4935024	8 mm - 1.00	4935042
1/4"-28NF	4935025	8 mm - 1.25	4935043
5/16"-18NC	4935026	9 mm - 1.00	4935044
5/16"-24NF	4935027	9 mm - 1.25	4935045
3/8"-16NC	4935028	10 mm - 1.25	4935046
3/8"-24NF	4935029	10 mm - 1.50	4935047
7/16"-14NC	4935030	11 mm - 1.50	4935048
7/16"-20NF	4935031	12 mm - 1.25	4935049
1/2"-13NC	4935032	12 mm - 1.75	4935050
1/2"-20NF	4935033		
Pipe		Pipe	
1/8"-27NPT	1902ZR	1/8"-28BSP	1911ZR
Threading Tools		Item #	
PTS Die Stock - 1"		4935054	
PTS Die Spacer		1775311	
SAE Pitch Gauge		11018	
Metric Pitch Gauge		11016	

HANSON 117-piece Machine Screw/Fractional/Metric Tap, Die, Extractor and Drill Bit Deluxe Set



26377

Set Contents			Set Item # 26377	
Thread Size	Tap Item #	Die Item #	Drill Bit Size	Drill Bit Item #
Machine Screw	Plug Style	5/8" Hexagon		
4 - 40 NC	1112ZR	6112	No. 43	80143
6 - 32 NC	1118	6118	No. 36	80136
8 - 32 NC	1124	6124	No. 29	80129
10 - 24 NC	1128ZR	6128	No. 25	80125
10 - 32 NF	1131	6131	No. 21	80121
12 - 24 NC	1132	6132	No. 16	80116
Fractional		1" Hexagon		
1/4" - 20 NC	1420	6520ZR	No. 7	80107
1/4" - 28 NF	1423ZR	6523ZR	No. 3	80103
5/16" - 18 NC	1427	6527	Letter F	40106
5/16" - 24 NF	1429ZR	6529	Letter I	40109
3/8" - 16 NC	1434ZR	6534ZR	5/16"	60120
3/8" - 24 NF	1436	6536	Letter Q	40117
7/16" - 14 NC	1439ZR	6539	Letter U	40121
7/16" - 24 NF	1440	6540	25/64"	60125
1/2" - 13 NC	1444ZR	6544	27/64"	60127
1/2" - 20 NF	1445	6545	29/64"	60129
Metric		5/8" Hexagon		
3 mm - 0.50	1712ZR	6312	No. 39	80139
4 mm - 0.70	1717ZR	6317	No. 30	80130
4 mm - 0.75	1718ZR	6318	No. 30	80130*
5 mm - 0.80	1722ZR	6322	No. 19	90119
5 mm - 0.90	1723ZR	6323ZR	No. 20	80120
6 mm - 1.00	1727	6327	No. 9	80109
		1" Hexagon		
7 mm - 1.00	1731ZR	6631	Letter B	40102
8 mm - 1.00	1733ZR	6633	Letter J	40110
8 mm - 1.25	1734ZR	6634	Letter H	40108
9 mm - 1.00	1736	6636	Letter O	40115
9 mm - 1.25	1737	6637	5/16"	60120*
10 mm - 1.25	1739	6639	Letter S	40119
10 mm - 1.50	1740ZR	6640	Letter R	40118
11 mm - 1.50	1741ZR	6641	3/8"	60124
12 mm - 1.50	1743ZR	6643	Letter Z	40126
12 mm - 1.75	1744ZR	6644	13/32"	60126
Pipe				
1/8" - 27 NPT	1902ZR	6702	Letter Q	40117*
1/8" - 28 BSP	1911ZR	6711	21/64"	60121
Spiral Flute Screw Extractor			Drill Bit Size	Item #
EX - 1			5/64"	60105
EX - 2			7/64"	60107
EX - 3			5/32"	60110
EX - 4			1/4"	60116
EX - 5			19/64"	60119
Threading Tools				Item #
Plain Die Stock - 5/8" Hexagon Dies				12457
Adjustable Die Stock - 1" Dies				11026
Adj. Handle Tap Wrench - Taps No. 0 to 1/2"				311088
Two-in-One Tap Wrench - Taps 1/4" to 1/2"				12450
T-Handle Wrench - Taps No. 0 to 1/4"				12473
16 Leaf Metric Thread Pitch Gauge				11016
18 Leaf Standard Thread Pitch Gauge				11018
Empty Plastic Case For 26377				26377MT

* Duplicate

Taps & Dies

High Carbon Steel Combination Sets

HANSON® 76-piece Machine Screw/ Fractional/Metric Tap & Hex Die Set



26376

TAPS & DIES

Set Contents		Item # 26376
Thread Size Machine Screw	Tap Item # Plug Style	Die Item # 5/8" Hexagon
4 - 40 NC	1112ZR	6112
6 - 32 NC	1118	6118
8 - 32 NC	1124	6124
10 - 24 NC	1128ZR	6128
10 - 32 NF	1131	6131
12 - 24 NC	1132	6132
Fractional		1" Hexagon
1/4" - 20 NC	1420	6520ZR
1/4" - 28 NF	1423ZR	6523ZR
5/16" - 18 NC	1427	6527
5/16" - 24 NF	1429ZR	6529
3/8" - 16 NC	1434ZR	6534ZR
3/8" - 24 NF	1436	6536
7/16" - 14 NC	1439ZR	6539
7/16" - 20 NF	1440	6540
1/2" - 13 NC	1444ZR	6544
1/2" - 20 NF	1445	6545
Metric		5/8" Hexagon
3 mm - 0.50	1712ZR	6312
4 mm - 0.70	1717ZR	6317
4 mm - 0.75	1718ZR	6318
5 mm - 0.80	1722ZR	6322
5 mm - 0.90	1723ZR	6323ZR
6 mm - 1.00	1727	6327
		1" Hexagon
7 mm - 1.00	1731ZR	6631
8 mm - 1.00	1733ZR	6633
8 mm - 1.25	1734ZR	6634
9 mm - 1.00	1736	6636
9 mm - 1.25	1737	6637
10 mm - 1.25	1739	6639
10 mm - 1.50	1740ZR	6640
11 mm - 1.50	1741ZR	6641
12 mm - 1.50	1743ZR	6643
12 mm - 1.75	1744ZR	6644
Pipe		
1/8" - 27 NPT	1902ZR	6702
1/8" - 28 BSP	1911ZR	6711
Threading Tools		Item #
Plain Die Stock - 5/8" Hexagon Dies		12457
Adj. Die Stock - 1" Dies		11026
Adj. Handle Tap Wrench - Taps No. 0 to 1/2"		311088
Two-in-One Tap Wrench - Taps 1/4" to 1/2"		12450
T-Handle Wrench - Taps No. 0 to 1/4"		12473
16 Leaf Metric Thread Pitch Gauge		11016
18 Leaf Standard Thread Pitch Gauge		11018
Empty Plastic Case For 26376		26376MT

**HANSON 66-piece Machine Screw/
Fractional Tap & Hex Die Set**



97606

Set Contents		Item # 97606
Thread Size	Tap Item #	Die Item #
Machine Screw	Plug Style	5/8" Hexagon
4 - 40 NC	1112ZR	6112
6 - 32 NC	1118	6118
8 - 32 NC	1124	6124
10 - 24 NC	1128ZR	6128
10 - 32 NF	1131	6131
12 - 24 NC	1132	6132
Fractional		1" Hexagon
1/4" - 20 NC	1420	6520ZR
1/4" - 28 NF	1423ZR	6523ZR
5/16" - 18 NC	1427	6527
5/16" - 24 NF	1429ZR	6529
3/8" - 16 NC	1434ZR	6534ZR
3/8" - 24 NF	1436	6536
7/16" - 14 NC	1439ZR	6539
7/16" - 20 NF	1440	6540
1/2" - 13 NC	1444ZR	6544
1/2" - 20 NF	1445	6545
		1-7/16" Hexagon
9/16" - 12 NC	1448	6848
9/16" - 18 NF	1449	6849
5/8" - 11 NC	1452	6852
5/8" - 18 NF	1454	6854
3/4" - 10 NC	1458	6858
3/4" - 16 NF	1460	6860ZR
		1-13/16" Hexagon
7/8" - 9 NC	1461	8461
7/8" - 14 NF	1463	8463
1" - 8 NC	1465ZR	8465
1" - 14 NS	1467ZR	8467
Pipe		1" Hexagon
1/8" - 27 NPT	1902ZR	6702
1/4" - 18 NPT	1903ZR	7003
Threading Tools		Item #
Plain Die Stock - 5/8" Hexagon Dies		12457
Adj. Die Stock - 1" Dies		11026
Adj. Die Stock - 1-7/16" Hexagon Dies		12436
Adj. Die Stock - 1-13/16" Hexagon Dies		12446
Adj. Handle Tap Wrench - Taps No. 0 to 1/2"		311088
Adj. Handle Tap Wrench - Taps 1/4" to 1"		12498
Two-in-One Tap Wrench - Taps 1/4" to 1/2"		12450
T-Handle Wrench - Taps No. 0 to 1/4"		12473
18 Leaf Standard Thread Pitch Gauge		11018

TAPS & DIES

Taps & Dies

High Carbon Steel Combination Sets

HANSON® 66-piece Metric Tap & Hex Die Set



97312

TAPS & DIES

Set Contents

Thread Size Metric	Tap Item # Plug Style	Die Item # 5/8" Hexagon
3 mm - 0.50	1712ZR	6312
4 mm - 0.70	1717ZR	6317
4 mm - 0.75	1718ZR	6318
5 mm - 0.80	1722ZR	6322
5 mm - 0.90	1723ZR	6323ZR
6 mm - 1.00	1727	6327
1" Hexagon		
7 mm - 1.00	1731ZR	6631
8 mm - 1.00	1733ZR	6633
8 mm - 1.25	1734ZR	6634
9 mm - 1.00	1736	6636
9 mm - 1.25	1737	6637
10 mm - 1.25	1739	6639
10 mm - 1.50	1740ZR	6640
11 mm - 1.50	1741ZR	6641
12 mm - 1.50	1743ZR	6643
12 mm - 1.75	1744ZR	6644
1-7/16" Hexagon		
14 mm - 1.25	2449	6949ZR
14 mm - 1.50	1750	6950ZR
14 mm - 2.00	1752ZR	6952
16 mm - 1.50	1755ZR	6955ZR
16 mm - 2.00	1756ZR	6956
18 mm - 1.50	1759ZR	6959
18 mm - 2.50	1761ZR	6961ZR
1-13/16" Hexagon		
20 mm - 2.50	1764ZR	8564ZR
22 mm - 1.50	1765ZR	8565ZR
24 mm - 2.00	1768ZR	8568
24 mm - 3.00	1769ZR	8569
1" Hexagon		
Pipe		
1/8" - 28 BSP	1911ZR	6711
Threading Tools		Item #
Plain Die Stock - 5/8" Hexagon Dies		12457
Adj. Die Stock - 1" Dies		11026
Adj. Die Stock - 1-7/16" Hexagon Dies		12436
Adj. Die Stock - 1-13/16" Hexagon Dies		12446
T-Handle Wrench - Taps No. 0 to 1/4"		12473
Adj. Handle Tap Wrench - Taps No. 0 to 1/2"		311088
Adj. Handle Tap Wrench - Taps 1/4" to 1"		12498
Two-in-One Tap Wrench - Taps 1/4" to 1/2"		12450
16 Leaf Metric Thread Pitch Gauge		11016

HANSON 53-piece Machine Screw/ Fractional Tap & Hex Die Set



24640

HANSON 53-piece Metric Tap & Hex Die Set



26394

Set Contents		Item # 24640
Thread Size	Tap Item #	Die Item #
Machine Screw	Plug Style	1" Hexagon
6 - 32 NC	1118	6418
8 - 32 NC	1124	6424
10 - 24 NC	1128ZR	6428
10 - 32 NF	1131	6431
12 - 24 NC	1132	6432ZR
Fractional		
1/4" - 20 NC	1420	6520ZR
1/4" - 28 NF	1423ZR	6523ZR
5/16" - 18 NC	1427	6527
5/16" - 24 NF	1429ZR	6529
3/8" - 16 NC	1434ZR	6534ZR
3/8" - 24 NF	1436	6536
7/16" - 14 NC	1439ZR	6539
7/16" - 20 NF	1440	6540
1/2" - 13 NC	1444ZR	6544
1/2" - 20 NF	1445	6545
1-7/16" Hexagon		
9/16" - 12 NC	1448	6848
9/16" - 18 NF	1449	6849
5/8" - 11 NC	1452	6852
5/8" - 18 NF	1454	6854
3/4" - 10 NC	1458	6858
3/4" - 16 NF	1460	6860ZR
Pipe		
1/8" - 27 NPT Pipe	1902ZR	6702
1/4" - 18 NPT Pipe	1903ZR	6703
Threading Tools		Item #
Adj. Die Stock - 1" Dies		11026
Adj. Die Stock - 1-7/16" Hexagon Dies		12436
T-Handle Wrench - Taps No. 0 to 1/4"		12473
Adj. Handle Tap Wrench - Taps No. 0 to 1/2"		311088
Adj. Handle Tap Wrench - Taps 1/4" to 1"		12498
18 Leaf Standard Thread Pitch Gauge		11018
Set Contents		Item # 26394
Thread Size	Tap Item #	Die Item #
Metric Screw	Plug Style	1" Hexagon
3 mm - 0.50	1712ZR	6612ZR
4 mm - 0.70	1717ZR	6617
4 mm - 0.75	1718ZR	6618
5 mm - 0.80	1722ZR	6622
5 mm - 0.90	1723ZR	6623
6 mm - 1.00	1727	6627
7 mm - 1.00	1731ZR	6631
8 mm - 1.25	1734ZR	6634
9 mm - 1.00	1736	6636
9 mm - 1.25	1737	6637
10 mm - 1.25	1739	6639
10 mm - 1.50	1740ZR	6640
11 mm - 1.50	1741ZR	6641
12 mm - 1.50	1743ZR	6643
12 mm - 1.75	1744ZR	6644
1-7/16" Hexagon		
14 mm - 1.25	1749ZR	6949ZR
14 mm - 2.00	1752ZR	6952
16 mm - 1.50	1755ZR	6955ZR
16 mm - 2.00	1756ZR	6956
18 mm - 1.50	1759ZR	6959
18 mm - 2.50	1761ZR	6961ZR
Pipe		
1/8" - 28 BSP	1911ZR	6711
1/4" - 19 BSP	1912ZR	6712
Threading Tools		Item #
Adj. Die Stock - 1" Dies		11026
Adj. Die Stock - 1-7/16" Hexagon Dies		12436
T-Handle Wrench - Taps No. 0 to 1/4"		12473
T-Handle Wrench - Taps No. 0 to 1/2"		311088
Adj. Handle Tap Wrench - Taps 1/4" to 1"		12498
16 Leaf Metric Thread Pitch Gauge		11016
Empty Plastic Case		26394MT

Taps & Dies

High Carbon Steel Combination Sets

HANSON® 41-piece Machine Screw/Fractional Tap & Hex Die Set



24606

- Plastic storage case with removable tray keeps all tools organized

TAPS & DIES

HANSON 41-piece Metric Tap & Hex Die Set



26317

Set Contents		Item # 24606
Thread Size	Tap Item #	Die Item #
Machine Screw	Plug Style	5/8" Hexagon
4 - 40 NC	1112ZR	6112
6 - 32 NC	1118	6118
8 - 32 NC	1124	6124
10 - 24 NC	1128ZR	6128
10 - 32 NF	1131	6131
12 - 24 NC	1132	6132
Fractional		1" Hexagon
1/4" - 20 NC	1420	6520ZR
1/4" - 28 NF	1423ZR	6523ZR
5/16" - 18 NC	1427	6527
5/16" - 24 NF	1429ZR	6529
3/8" - 16 NC	1434ZR	6534ZR
3/8" - 24 NF	1436	6536
7/16" - 14 NC	1439ZR	6539
7/16" - 20 NF	1440	6540
1/2" - 13 NC	1444ZR	6544
1/2" - 20 NF	1445	6545
Pipe		1" Hexagon
1/8" - 27 NPT	1902	6702
Threading Tools		Item #
Plain Die Stock - 5/8" Hexagon Dies		12457
Adj. Die Stock - 1" Dies		11026
Adj. Handle Tap Wrench - Taps No. 0 to 1/2"		311088
T-Handle Wrench - Taps No. 0 to 1/4"		12473
Two-in-One Tap Wrench - Taps 1/4" to 1/2"		12450
18 Leaf Standard Thread Pitch Gauge		11018
Empty Plastic Case		24606MT

Set Contents		Item # 26317
Thread Size	Tap Item #	5/8" Die Item #
Metric	Plug Style	Item #
3 mm - 0.50	1712ZR	6312
4 mm - 0.70	1717ZR	6317
4 mm - 0.75	1718ZR	6318
5 mm - 0.80	1722ZR	6322
5 mm - 0.90	1723ZR	6323ZR
6 mm - 1.00	1727	6327
		1" Die Item #
7 mm - 1.00	1731ZR	6631
8 mm - 1.00	1733ZR	6633
8 mm - 1.25	1734ZR	6634
9 mm - 1.00	1736	6636
9 mm - 1.25	1737	6637
10 mm - 1.25	1739	6639
10 mm - 1.50	1740ZR	6640
11 mm - 1.50	1741ZR	6641
12 mm - 1.50	1743ZR	6643
12 mm - 1.75	1744ZR	6644
Pipe		Item #
1/8" - 28 BSP	1911ZR	6711
Threading Tools		Item #
Plain Die Stock - 5/8" Hexagon Dies		12457
Adj. Die Stock - 1" Dies		11026
Adj. Handle Tap Wrench - Taps No. 0 to 1/2"		311088
T-Handle Wrench - Taps No. 0 to 1/4"		12473
Two-in-One Tap Wrench - Taps 1/4" to 1/2"		12450
18 Leaf Standard Thread Pitch Gauge		11018
Empty Plastic Case		24606MT

**HANSON® 41-piece Machine Screw/
Fractional/Metric Tap & Hex Die Set**



26319

**HANSON® 25-piece Fractional
Tap & Hex Die Set**



97094ZR

Set Contents		Item # 26319
Thread Size	Tap Item #	Die Item #
Machine Screw	Plug Style	5/8" Hexagon
6 - 32 NC	1118	6118
8 - 32 NC	1124	6124
10 - 24 NC	1128ZR	6128
Fractional		1" Hexagon
1/4" - 20 NC	1420	6520ZR
5/16" - 18 NC	1427	6527
3/8" - 16 NC	1434ZR	6534ZR
7/16" - 14 NC	1439ZR	6539
1/2" - 13 NC	1444ZR	6544
1/8" - 27 NPT	1902ZR	6702
Metric		5/8" Hexagon
4 mm - 0.75	1718ZR	6318
5 mm - 0.80	1722ZR	6322
6 mm - 1.00	1727	6327
		1" Hexagon
7 mm - 1.00	1731ZR	6631
8 mm - 1.25	1734ZR	6634
10 mm - 1.25	1739	6639
10 mm - 1.50	1740ZR	6640
12 mm - 1.75	1744ZR	6644
Threading Tools		Item #
Adj. Die Stock - 1" Dies		11026
Plain Die Stock - 5/8" Hexagon Dies		12457
Adj. Handle Tap Wrench - Taps No. 0 to 1/2"		311088
T-Handle Wrench - Taps No. 0 to 1/4"		12473
Two-in-One Tap Wrench - Taps 1/4" to 1/2"		12450
Standard and Metric Thread Pitch Gauge		11017

TAPS & DIES

Set Contents		Item # 97094ZR
Thread Size	Tap Item #	Die Item #
Fractional	Plug Style	1-7/16" Hexagon
9/16" - 12 NC	1448	6848
9/16" - 18 NF	1449	6849
5/8" - 11 NC	1452	6852
5/8" - 18 NF	1454	6854
3/4" - 10 NC	1458	6858
3/4" - 16 NF	1460	6860ZR
		1-13/16" Hexagon
7/8" - 9 NC	1461	8461
7/8" - 14 NF	1463	8463
1" - 8 NC	1465ZR	8465
1" - 14 NS	1467ZR	8467
Pipe		1-7/16" Hexagon
1/4" - 18 NPT	1903ZR	7003
Threading Tools		Item #
Adj. Die Stock - 1-7/16" Hexagon Dies		12436
Adj. Die Stock - 1-13/16" Hexagon Dies		12446
Adj. Handle Tap Wrench - Taps 1/4" to 1"		12498
Empty Plastic Case		97094MT

Taps & Dies

High Carbon Steel Combination Sets

HANSON 25-piece Metric Tap & Hex Die Set



97311

HANSON 12-piece Machine Screw/Fractional Tap & Hex Die Set



1765542

HANSON 12-piece Machine Screw/Fractional Tap & Hex Die Set



24605

HANSON 12-piece Metric Tap & Hex Die Set



1765541

Set Contents		Item # 97311
Thread Size	Tap Item #	Die Item #
Metric	Plug Style	1-7/16" Hexagon
14 mm - 1.25	2449	6949ZR
14 mm - 1.50	1750	6950ZR
14 mm - 2.00	1752ZR	6952
16 mm - 1.50	1755ZR	6955ZR
16 mm - 2.00	1756ZR	6956
18 mm - 1.50	1759ZR	6959
18 mm - 2.50	1761ZR	6961ZR
		1-13/16" Hexagon
20 mm - 2.50	1764ZR	8564ZR
22 mm - 1.50	1765ZR	8565ZR
24 mm - 2.00	1768ZR	8568
24 mm - 3.00	1769ZR	8569
Threading Tools		Item #
Adj. Die Stock - 1-7/16" Hexagon Dies		12436
Adj. Die Stock - 1-13/16" Hexagon Dies		12446
Adj. Handle Tap Wrench - Taps 1/4" to 1"		12498
Empty Plastic Case		97311MT

Set Contents		Item # 1765542
Thread Size	Tap Item #	Die Item #
Fractional	Self-Alignmening	Self-Aligning
1/4" - 20 NC	4935228	4935024
5/16" - 18 NC	4935230	4935026
3/8" - 16 NC	4935232	4935028
1/2" - 13 NC	4935236	4935032
Threading Tools		Item #
PTS Die Stock - 1"		4935054
PTS Die Spacer		1775311
PTS Adj Tap Socket - Medium 1/4" to 1/2" (6mm - 12mm)		4935053
T-Bar for Adj Tap Socket		1775312

Set Contents		Item # 24605
Thread Size	Tap Item #	Die Item #
Machine Screw	Plug Style	5/8" Hexagon
6 - 32 NC	1118	6118
8 - 32 NC	1124	6124
10 - 24 NC	1128ZR	6128
10 - 32 NF	1131	6131
Fractional		
1/4" - 20 NC	1420	6220
Threading Tools		Item #
Plain Die Stock - 5/8" Hexagon Dies		12457
T-Handle Tap Wrench - Taps No. 0 to 1/4"		12401

Set Contents		Item # 1765541
Thread Size	Tap Item #	Die Item #
Metric	Plug Style	5/8" Hexagon
3mm - 0.50	1712ZR	6312
4mm - 0.70	1717ZR	6317
5mm - 0.80	1722ZR	6322
6mm - 1.00	1727	6327
7mm - 1.00	1731ZR	6631
Threading Tools		Item #
Plain Die Stock - 5/8" Hexagon Dies		12457
T-Handle Tap Wrench - Taps No. 0 to 1/4"		12401

HANSON 24-piece Fractional Tap & Hex Die Set



24614

Set Contents		Item # 24614
Thread Size	Tap Item #	Die Item #
Fractional	Plug Style	1" Hexagon
1/4" - 20 NC	1420	6520ZR
1/4" - 28 NF	1423ZR	6523ZR
5/16" - 18 NC	1427	6527
5/16" - 24 NF	1429ZR	6529
3/8" - 16 NC	1434ZR	6534ZR
3/8" - 24 NF	1436	6536
7/16" - 14 NC	1439ZR	6539
7/16" - 20 NF	1440	6540
1/2" - 13 NC	1444ZR	6544
1/2" - 20 NF	1445	6545
Pipe		
1/8" - 27 NPT	1902ZR	6702
Threading Tools		Item #
Plain Die Stock - 1" Dies		11008
Offset Adj. Tap Wrench - Taps No. 0 to 1/2"		12421

HANSON 24-piece Metric Tap & Hex Die Set



26313

Set Contents		Item # 26313
Thread Size	Tap Item #	Die Item #
Metric	Plug Style	1" Hexagon
3 mm - 0.50	1712ZR	6612ZR
4 mm - 0.70	1717ZR	6617
5 mm - 0.80	1722ZR	6622
6 mm - 1.00	1727	6627
7 mm - 1.00	1731ZR	6631
8 mm - 1.25	1734ZR	6634
9 mm - 1.25	1737	6637
10 mm - 1.50	1740ZR	6640
12 mm - 1.50	1743ZR	6643
12 mm - 1.75	1744ZR	6644
Pipe		
1/8" - 28 BSP	1911ZR	6711
Threading Tools		Item #
Plain Die Stock - 1" Dies		11008
Offset Adj. Tap Wrench - Taps No. 0 to 1/2"		12421

HANSON 12-piece Fractional Tap & Hex Die Set



24612

Set Contents		Item # 24612
Thread Size	Tap Item #	Die Item #
Fractional	Plug Style	1" Hexagon
1/4" - 20 NC	1420ZR	6520ZR
5/16" - 18 NC	1427	6527
3/8" - 16 NC	1434ZR	6534ZR
7/16" - 14 NC	1439ZR	6539
1/2" - 13 NC	1444ZR	6544
Threading Tools		Item #
Plain Die Stock - 1" Dies		11008
Offset Adj. Tap Wrench - Taps No. 0 to 1/2"		12421

TAPS & DIES

Taps & Dies

High Carbon Steel Combination Sets

HANSON® 64-piece Machine Screw/ Fractional Tap & Solid / Adjustable Round Die Set



98614

TAPS & DIES

Set Contents		Item # 98614
Thread Size Machine Screw	Tap Item # Plug Style	Die Item # 1" Solid Round
4 - 40 NC	1112ZR	3012
6 - 32 NC	1118	3018
8 - 32 NC	1124	3024
10 - 24 NC	1128ZR	3028ZR
10 - 32 NF	1131	3031
12 - 24 NC	1132	3032
Fractional		
1/4" - 20 NC	1420	3120
1/4" - 28 NF	1423ZR	3123
5/16" - 18 NC	1427	3127
5/16" - 24 NF	1429ZR	3129
3/8" - 16 NC	1434ZR	3134
3/8" - 24 NF	1436	3136
7/16" - 14 NC	1439ZR	3139
7/16" - 20 NF	1440	3140
1/2" - 13 NC	1444ZR	3144
1/2" - 20 NF	1445	3145
		1-1/2" Adj. Round
9/16" - 12 NC	1448	4048ZR
9/16" - 18 NF	1449	4049ZR
5/8" - 11 NC	1452	4052
5/8" - 18 NF	1454	4054
3/4" - 10 NC	1458	4058ZR
3/4" - 16 NF	1460	4060ZR
		2" Adj. Round
7/8" - 9 NC	1461	4261
7/8" - 14 NF	1463	4263
1" - 8 NC	1465ZR	4265
1" - 12 NF	1466ZR	4266
Pipe		1" Solid Round
1/8" - 27 NPT	1902ZR	3202
		1-1/2" Solid Round
1/4" - 18 NPT	1903ZR	4103
Threading Tools		Item #
Adj. Die Stock - 1" Dies		11026
Adj. Die Stock - 1-1/2" Adj. Round Dies		12435
Adj. Die Stock - 2" Adj. Round Dies		12445
Adj. Handle Tap Wrench - Taps No. 0 to 1/2"		311088
Adj. Handle Tap Wrench - Taps 1/4" to 1"		12498
T-Handle Wrench - Taps No. 0 to 1/4"		12401
18 Leaf Standard Thread Pitch Gauge		11018

**HANSON 64-piece Machine Screw/
Fractional Tap & Adjustable / Solid
Round Die Set**



98146

Set Contents		Item # 98146
Thread Size Machine Screw	Tap Item # Plug Style	Die Item # 1" Adj. Round
4 - 40 NC	1112ZR	3712
6 - 32 NC	1118	3718
8 - 32 NC	1124	3724
10 - 24 NC	1128ZR	3728
10 - 32 NF	1131	3731
12 - 24 NC	1132	3732
Fractional		
1/4" - 20 NC	1420	3820ZR
1/4" - 28 NF	1423ZR	3823
5/16" - 18 NC	1427	3827
5/16" - 24 NF	1429ZR	3829
3/8" - 16 NC	1434ZR	3834
3/8" - 24 NF	1436	3836
7/16" - 14 NC	1439ZR	3839
7/16" - 20 NF	1440	3840
1/2" - 13 NC	1444ZR	3844
1/2" - 20 NF	1445	3845
1-1/2" Adj. Round		
9/16" - 12 NC	1448	4048ZR
9/16" - 18 NF	1449	4049ZR
5/8" - 11 NC	1452	4052
5/8" - 18 NF	1454	4054
3/4" - 10 NC	1458	4058ZR
3/4" - 16 NF	1460	4060ZR
2" Adj. Round		
7/8" - 9 NC	1461	4261
7/8" - 14 NF	1463	4263
1" - 8 NC	1465ZR	4265
1" - 12 NF	1466ZR	4266
Pipe		
1" Solid Round		
1/8" - 27 NPT	1902ZR	3202
1-1/2" Solid Round		
1/4" - 18 NPT	1903ZR	4103
Threading Tools		Item #
Adj. Die Stock - 1" Adj. Round Dies		12428
Adj. Die Stock - 1-1/2" Adj. Round Dies		12435
Adj. Die Stock - 2" Adj. Round Dies		12445
Adj. Handle Tap Wrench - Taps No. 0 to 1/2"		311088
Adj. Handle Tap Wrench - Taps 1/4" to 1"		12498
T-Handle Wrench - Taps No. 0 to 1/4"		12401
18 Leaf Standard Thread Pitch Gauge		11018

TAPS & DIES

Taps & Dies

High Carbon Steel Combination Sets

HANSON® 41-piece Fractional Tap & Adjustable/Solid Round Die Set



25941

TAPS & DIES

Set Contents		Item # 25941
Thread Size Fractional	Tap Item # Plug Style	Die Item # 1-1/2" Adj. Round
1/4" - 20 NC	1420	4020ZR
1/4" - 28 NF	1423ZR	4023
5/16" - 18 NC	1427	4027ZR
5/16" - 24 NF	1429ZR	4029ZR
3/8" - 16 NC	1434ZR	4034ZR
3/8" - 24 NF	1436	4036
7/16" - 14 NC	1439ZR	4039ZR
7/16" - 20 NF	1440	4040ZR
1/2" - 13 NC	1444ZR	4044
1/2" - 20 NF	1445	4045ZR
9/16" - 12 NC	1448	4048ZR
9/16" - 18 NF	1449	4049ZR
5/8" - 11 NC	1452	4052
5/8" - 18 NF	1454	4054
3/4" - 10 NC	1458	4058ZR
3/4" - 16 NF	1460	4060ZR
Pipe		1-1/2" Solid Round
1/8" - 27 NPT	1902ZR	4102
1/4" - 18 NPT	1903ZR	4103
Threading Tools		Item #
Adj. Die Stock - 1-1/2" Dies		12435
T-Handle Wrench - Taps 1/4" to 1/2"		12402
Adj. Handle Tap Wrench - Taps 1/4" to 1"		12498
18 Leaf Standard Thread Pitch Gauge		11018
Empty Plastic Case		25941MT

**HANSON 39-piece Machine Screw/
Fractional Tap & Solid Round Die Set**



23614

**HANSON 39-piece Machine Screw/
Fractional Tap & Adjustable Round Die Set**



25914

Set Contents		Item # 23614
Thread Size	Tap Item #	Die Item #
Machine Screw	Plug Style	1" Solid Round
4 - 40 NC	1112ZR	3012
6 - 32 NC	1118	3018
8 - 32 NC	1124	3024
10 - 24 NC	1128ZR	3028ZR
10 - 32 NF	1131	3031
12 - 24 NC	1132	3032
Fractional		
1/4" - 20 NC	1420	3120ZR
1/4" - 28 NF	1423ZR	3123
5/16" - 18 NC	1427	3127
5/16" - 24 NF	1429ZR	3129
3/8" - 16 NC	1434ZR	3134
3/8" - 24 NF	1436	3136
7/16" - 14 NC	1439ZR	3139
7/16" - 20 NF	1440	3140
1/2" - 13 NC	1444ZR	3144
1/2" - 20 NF	1445	3145
Pipe		
1/8" - 27 NPT	1902ZR	3202
Threading Tools		Item #
Adj. Die Stock - 1" Dies		11026
T-Handle Wrench - Taps No. 0 to 1/4"		12401
Adj. Handle Tap Wrench - Taps No. 0 to 1/2"		311088
18 Leaf Standard Thread Pitch Gauge		11018
Empty Plastic Case		23614MT

Set Contents		Item # 25914
Thread Size	Tap Item #	Die Item #
Machine Screw	Plug Style	1-1/2" Adj. Round
4 - 40 NC	1112ZR	3712
6 - 32 NC	1118	3718
8 - 32 NC	1124	3724
10 - 24 NC	1128ZR	3728
10 - 32 NF	1131	3731
12 - 24 NC	1132	3732
Fractional		
1/4" - 20 NC	1420	3820ZR
1/4" - 28 NF	1423ZR	3823
5/16" - 18 NC	1427	3827
5/16" - 24 NF	1429ZR	3829
3/8" - 16 NC	1434ZR	3834
3/8" - 24 NF	1436	3836
7/16" - 14 NC	1439ZR	3839
7/16" - 20 NF	1440	3840
1/2" - 13 NC	1444ZR	3844
1/2" - 20 NF	1445	3845
Pipe		
1/8" - 27 NPT	1902ZR	3202
Threading Tools		Item #
Adj. Die Stock - 1" Adj. Round Dies		12428
T-Handle Wrench - Taps No. 0 to 1/4"		12401
Adj. Handle Tap Wrench - Taps No. 0 to 1/2"		311088
18 Leaf Standard Thread Pitch Gauge		11018
Empty Plastic Case		25914MT

TAPS & DIES

Taps & Dies

High Carbon Steel Combination Sets

HANSON® 25-piece Fractional Tap & Adjustable/Solid Round Die Set



98000

Set Contents		Item # 98000
Thread Size Fractional	Tap Item # Plug Style	Die Item # 1-1/2" Adj. Round
9/16" - 12 NC	1448	4048ZR
9/16" - 18 NF	1449	4049ZR
5/8" - 11 NC	1452	4052
5/8" - 18 NF	1454	4054
3/4" - 10 NC	1458	4058ZR
3/4" - 16 NF	1460	4060ZR
		2" Adj. Round
7/8" - 9 NC	1461	4261
7/8" - 14 NF	1463	4263
1" - 8 NC	1465ZR	4265
1" - 12 NF	1466ZR	4266
Pipe		1-1/2" Solid Round
1/4" - 18 NPT	1903ZR	4103
Threading Tools		Item #
Adj. Die Stock - 1-1/2" Adj. Round Dies		12435
Adj. Die Stock - 2" Adj. Round Dies		12445
Adj. Handle Tap Wrench - Taps 1/4" to 1"		12498
Empty Plastic Case		98000MT

TAPS & DIES

HANSON 24-piece Fractional Tap & Solid Round Die Set



23622

Set Contents		Item # 23622
Thread Size Fractional	Tap Item # Plug Style	Die Item # 1" Solid Round
1/4" - 20 NC	1420	3120ZR
1/4" - 28 NF	1423ZR	3123
5/16" - 18 NC	1427	3127
5/16" - 24 NF	1429ZR	3129
3/8" - 16 NC	1434ZR	3134
3/8" - 24 NF	1436	3136
7/16" - 14 NC	1439ZR	3139
7/16" - 20 NF	1440	3140
1/2" - 13 NC	1444ZR	3144
1/2" - 20 NF	1445	3145
Pipe		
1/8" - 27 NPT	1902ZR	3202
Threading Tools		Item #
Plain Die Stock - 1" Dies		11008
Offset Adj. Tap Wrench - Taps No. 0 to 1/2"		12421

HANSON Cut Thread Machine Screw Taps (HSS)



400023



403025



406025

- Straight fluted, hand taps
- Taps produce a class 2B thread

HANSON Cut Thread Fractional Taps (HSS)



410022



413022



416022

- Straight fluted, hand taps
- Taps produce a class 2B thread
- Works in most materials including stainless & alloy steels

HANSON Cut Thread Pipe Taper Taps (HSS)



459002

- Cuts internal threads in pipes
- Ideal for pipe fittings
- Tapered at a rate of 3/4" per foot

Description	No. of Flutes	Plug Bulk Item #	Taper Bulk Item #	Bottom Bulk Item #
4 - 40 NC	3	403009	—	—
6 - 32 NC	3	403015	400015ZR	406015
6 - 48 NS	3	403017	400017	406017
8 - 32 NC	4	403019	400019	406019
8 - 40 NS	4	403021	400021ZR	406021ZR
10 - 24 NC	4	403022	400022ZR	406022
10 - 32 NF	4	403023	400023ZR	406023
12 - 24 NC	4	403025	400025ZR	—
14 - 20 NS	4	403028	—	—

Description	No. of Flutes	Plug Bulk Item #	Taper Bulk Item #	Bottom Bulk Item #
1/4" - 20 NC	4	413010	410010	416010
1/4" - 28 NF	4	413012	—	416012
5/16" - 18 NC	4	413015	410015	416015
5/16" - 24 NF	4	413016	—	416016
3/8" - 16 NC	4	413018	410018	416018
3/8" - 24 NF	4	413019	410019ZR	—
7/16" - 14 NC	4	413020	410020	416020
7/16" - 20 NF	4	413021	410021	—
1/2" - 13 NC	4	413022	410022ZR	416022
1/2" - 20 NF	4	413023	410023ZR	—
9/16" - 12 NC	4	413024	—	—
5/8" - 11 NC	4	413026	410026	—
3/4" - 10 NC	4	—	410028	—

Description	No. of Flutes	Taper Item #
1/8" - 27 NPT	4	459001
1/4" - 18 NPT	4	459002
3/8" - 18 NPT	4	459003
1/2" - 14 NPT	4	459004
3/4" - 14 NPT	5	459005
1" - 11-1/2 NPT	5	459006
1-1/4" - 11-1/2 NPT	5	459007
1-1/2" - 11-1/2 NPT	6	459008

Taps & Dies

High Speed Steel Taps

HANSON 6-piece Cut Thread Pipe Taper Tap Set (HSS)



1924

Contents	Item # 1924ZR
1/8" - 27 NPT	459001
1/4" - 18 NPT	459002
3/8" - 18 NPT	459003
1/2" - 14 NPT	459004
3/4" - 14 NPT	459005
1" - 11-1/2 NPT	459006

Tips

- Always use cutting fluid
- When threading a blind hole, clean the chips from the hole often and do not bottom out the tap - it can cause tap breakage.

HANSON Ground Thread Fractional Taps (HSS)



310310



313310



316310

- Ground thread taps produce a tighter thread tolerance than cut thread taps
- Designed to .0005" pitch diameter tolerance
- Straight fluted hand taps

TAPS & DIES

Description	No. of Flutes	Pitch Diameter Limits	Plug Bulk Item #	Taper Bulk Item #	Bottom Bulk Item #
1/4" - 20 NC	4	H3	313310	310310	316310
1/4" - 28 NF	4	H3	313312	310312	316312
5/16" - 18 NC	4	H3	313315	310315	316315
5/16" - 24 NF	4	H3	313316	310316	316316
3/8" - 16 NC	4	H3	313318	310318	316318
3/8" - 24 NF	4	H3	313319	310319	316319
7/16" - 14 NC	4	H3	313320	310320	316320
1/2" - 13 NC	4	H3	313322	310322	316322
1/2" - 20 NF	4	H3	313325	310323	316323
9/16" - 18 NF	4	H3	313326	-	-
5/8" - 11 NC	4	H3	313327	310327	316327
5/8" - 18 NF	4	H3	313328	310328	316328
3/4" - 10 NC	4	H3	313331	310331	316331
3/4" - 16 NF	4	H3	313332	310332	316332
7/8" - 9 NC	4	H4	313433	310433	316433
7/8" - 14 NF	4	H4	313434	310434	316434
1" - 8 NC	4	H4	313435	310435	316435
1" - 12 NF	4	H4	313436	-	-
1" - 14 NS	4	H4	313437	-	-
1-1/8" - 7 NC	4	H4	313438	310438	316438
1-1/8" - 12 NF	4	H4	313439	310439	316439
1-1/4" - 7 NC	4	H4	313440	310440	316440
1-1/4" - 12 NF	6	H4	313441	310441	316441
1-3/8" - 6 NC	4	H4	-	310442	-
1-3/8" - 12 NF	6	H4	-	310443	-
1-1/2" - 6 NC	4	H4	-	310444	316444
1-1/2" - 12 NF	6	H4	313445	-	-

HANSON Ground Thread Machine Screw Taps (HSS)



300325

- Ideal for maintenance and repair work
- Ground thread taps produce a tighter thread tolerance than cut thread taps
- Designed to .0005" pitch diameter tolerance
- Straight fluted hand taps

Description	No. of Flutes	Pitch Diameter Limits	Plug Bulk Item #	Taper Bulk Item #	Bottom Bulk Item #
0 - 80 NF	2	H1	303101	-	-
1 - 64 NC	2	H1	303102	-	-
1 - 72 NC	2	H1	303103	-	-
2 - 56 NC	3	H2	303205	-	306205
6 - 32 NC	3	H3	-	300315	-
8 - 32 NC	4	H3	303319	300319	-
10 - 24 NC	4	H3	303322	300322	-
10 - 32 NF	4	H3	303323	300323	-
12 - 24 NC	4	H3	-	300325	-
12 - 28 NF	4	H3	-	300326	-

HANSON Ground Thread Left-hand Fractional Plug Taps (HSS)



2120

- Left-hand taps cut threads with a left-hand rotation
- Used in applications where left-hand studs or fasteners are required

HANSON Ground Thread Pipe Taper Taps (HSS)



359003

- Ideal for pipe fittings
- Tapered at a rate of 3/4" per foot

HANSON Ground Thread Spiral Point* (Gun Taps) Chip Driver Machine Screw/Fractional Taps (HSS)



323325

- Engineered specifically for tapping of "through" holes
- Designed to .0005-inches pitch tolerance
- Cuts with a shearing action that shoots the chips ahead of the tap, producing a cleaner thread
- Recommended for production use in machine tools

Description	No. of Flutes	Pitch Diameter Limits	Bulk Item #
1/4" - 20 NC	4	H3	2120
1/4" - 28 NF	4	H3	2123
5/16" - 18 NC	4	H3	2127
5/16" - 24 NF	4	H3	2129
3/8" - 16 NC	4	H3	2134
3/8" - 24 NF	4	H3	2136
7/16" - 14 NC	4	H3	2139
7/16" - 20 NF	4	H3	2140ZR
1/2" - 13 NC	4	H3	2144
1/2" - 20 NF	4	H3	2145
9/16" - 12 NC	4	H3	2148
9/16" - 18 NF	4	H3	2149
5/8" - 11 NC	4	H3	2152
5/8" - 18 NF	4	H3	2154
3/4" - 10 NC	4	H3	2158ZR
3/4" - 16 NF	4	H3	2160ZR

Description	No. of Flutes	Bulk Item #
1/16" - 27 NPT	4	359010
1/8" - 27 NPT	4	359001
1/4" - 18 NPT	4	359002
3/8" - 18 NPT	4	359003
1/2" - 14 NPT	4	359004
3/4" - 14 NPT	5	359005

Description	No. of Flutes	Pitch Diameter Limits	Taper Bulk Item #
Machine			
6 - 32 NC	2	H3	323315
8 - 32 NC	2	H3	323319
10 - 24 NC	2	H3	323322
10 - 32 NF	2	H3	323323ZR
12 - 24 NC	2	H3	323325
14 - 20 NS	2	H3	323328
Fractional			
1/4 - 20 NC	3	H3	333310
1/4" - 28 NF	2	H3	333312
5/16" - 18 NC	2	H3	333315
3/8" - 16 NC	3	H3	333318
7/16" - 14 NC	3	H3	333320
7/16" - 20 NF	3	H3	333321
1/2" - 13 NC	3	H3	333322
1/2" - 20 NF	3	H3	333323

*Spiral Point taps should only be used on "through" hole applications

Taps & Dies

High Speed Steel Dies

HANSON Adjustable Round Machine Screw & Fractional Dies (HSS)



502024



504053

- HSS ideal for machine cutting where critical dimensions are required
- Adjustable round dies for precision threading

TAPS & DIES

Description	1" Overall Diam. Bulk Item #	2" Overall Diam. Bulk Item #
Machine		
4 - 40 NC	502009	--
4 - 48 NF	502010	--
5 - 40 NC	502012	--
5 - 44 NF	502013	--
6 - 32 NC	502014	--
6 - 40 NF	502015	--
8 - 32 NC	502018	--
8 - 36 NF	502019	--
10 - 24 NC	502021	--
10 - 32 NF	502022	--
12 - 24 NC	502024	--
12 - 28 NF	502025	--
Fractional		
1/4" - 20 NC	502038	--
1/4" - 28 NF	502039	--
5/16" - 18 NC	502041	--
5/16" - 24 NF	502042	--
3/8" - 16 NC	502044	--
3/8" - 24 NF	502045	--
7/16" - 14 NC	502046	--
7/16" - 20 NF	502047	--
1/2" - 13 NC	502048	--
1/2" - 20 NF	502049	--
5/8" - 11 NC	--	504053
5/8" - 18 NF	--	504054
3/4" - 10 NC	--	504057
3/4" - 16 NF	--	504058
7/8" - 9 NC	--	504059
7/8" - 14 NF	--	504060
1" - 8 NC	--	504061
1" - 12 NF	--	504062
1" - 14 NS	--	504063

HANSON 41-piece HSS Cut Thread Fractional Tap & Adjustable Die Set



543715

Set Contents		Stock # 543715
Thread Size	Tap Stock #	Die Stock #
Fractional	Plug Style	1-1/2" Adj. Round
1/4" - 20 NC	413010	503038
1/4" - 28 NF	413012	503039
5/16" - 18 NC	413015	503041
5/16" - 24 NF	413016	503042
3/8" - 16 NC	413018	503044
3/8" - 24 NF	413019	503045
7/16" - NC	413020	503046
7/16" - 20 NF	413021	503047
1/2" - 13 NC	413022	503048
1/2" - 20 NF	413023	503049
9/16" - 12 NC	413024	503051
9/16" - 18 NF	413025	503052
5/8" - 11 NC	413026	503053
5/8" - 18 NF	413027	503054
3/4" - 10 NC	413028	503057
3/4" - 16 NF	413029	503058
1/8" - 27 NPT	459001	503102
1/4" - 18 NPT	459002	503101
Threading Tools		Stock #
Adj. Die Stock - 1-1/2" Round Dies		12435
T-Handle Wrench - Taps No. 1/4" to 1/2"		12402
Adj. Handle Tap Wrench - Taps 1/4" to 1"		12498
18 Leaf Standard Thread Pitch Gauge		11018

HANSON 39-piece HSS Cut Thread Machine Screw/Fractional Tap & Adjustable Round Die Set



541614

Set Contents		Stock # 541614
Thread Size	Tap Stock #	Die Stock #
Machine Screw	Plug Style	1" Adj. Round
4 - 40 NC	403009	502009
6 - 32 NC	403015	502014
8 - 32 NC	403019	502018
10 - 24 NC	403022	502021
10 - 32 NF	403023	502022
12 - 24 NC	403025	502024
Fractional		
1/4" - 20 NC	413010	502038
1/4" - 28 NF	413012	502039
5/16" - 18 NC	413015	502041
5/16" - 24 NF	413016	502042
3/8" - 16 NC	413018	502044
3/8" - 24 NF	413019	502045
7/16" - 14 NC	413020	502046
7/16" - 20 NF	413021	502047
1/2" - 13 NC	413022	502048
1/2" - 20 NF	413023	502049
Pipe		
1/8" - 27 NPT	459001	502101
Threading Tools		Stock #
Adjustable Die Stock - 1" Adj. Round Dies		12428
T-Handle Wrench - Taps No. 0 to 1/4"		12401
Adj. Handle Tap Wrench - Taps No. 0 to 1/2"		311088
18 Leaf Standard Thread Pitch Gauge		11018

Deep Well Thread Chaser

The IRWIN® HANSON® Deep Well Thread Chaser allows you to reach and repair threads that your current tools can't touch. Whether you're repairing wheel studs, bolts, or other fasteners, the Deep Well Thread Chaser will fix your threads quickly and correctly.

DEEP WELL THREAD CHASER FEATURES

1. Reduced profile head enables use in confined spaces
2. Rethread design repairs & cleans bent, dented, rusted, painted, or damaged threads
3. Deep well design fits over exposed studs and repairs the full length
4. Tougher than tool steel, high carbon steel ensures longer life and greater durability



TAPS & DIES



3094102



3094104

Description	Pack Qty	Item #
3/8" - 16 NC ThreadChaser	4	57234
3/8" - 24 NF ThreadChaser	4	57236
7/16" - 14 NC ThreadChaser	4	57239
7/16" - 20 NF ThreadChaser	4	57240
1/2" - 13 NC ThreadChaser	4	57244
1/2" - 20 NF ThreadChaser	4	57245
9/16" - 12 NC ThreadChaser	4	57248
9/16" - 18 NF ThreadChaser	4	57249
5/8" - 11 NC ThreadChaser	4	57252
5/8" - 18 NF ThreadChaser	4	57254
12 mm - 1.25 ThreadChaser	4	57342
12 mm - 1.50 ThreadChaser	4	57343
14 mm - 1.50 ThreadChaser	4	57349
16 mm - 1.50 ThreadChaser	4	57355
ThreadChaser 5-Pc SAE Coarse Set	1	3094100
ThreadChaser 5-Pc SAE Fine Set	1	3094101
ThreadChaser 10-Pc SAE Complete Set	1	3094102
ThreadChaser 4-Pc Metric Set	1	3094104

HANSON® Hexagon Re-threading Pipe Taper Dies (HCS)



7403

- Ideal for repairing damaged threads on plumbing and air pipe applications

HANSON Re-threading Hexagon Metric Right & Left-hand Dies (HCS)



7349

- Ideal for repairing damaged bolts and studs where metric threads are specified

HANSON Re-threading Hexagon Fractional Right & Left-hand Dies (HCS)



7220



7720

- Designed for repairing damaged bolts and studs

Description	Width Across Hex Flats	Thickness of Hex Die	Bulk Item #
1/8" - 27 NPT	1-1/16"	3/8"	7402
1/4" - 18 NPT	1-1/4"	5/8"	7403ZR
3/8" - 18 NPT	1-7/16"	5/8"	7404
1/2" - 14 NPT	1-5/8"	3/4"	7405
3/4" - 14 NPT	2"	3/16"	7406
1" - 11-1/2 NPT	2-3/8"	1"	7407

Description	Width Across Hex Flats	Thickness of Hex Die	Right-Hand Bulk Item #	Left-Hand Bulk Item #
14 mm - 1.25	1-1/16"	1/2"	7349	—
14 mm - 1.50	1-1/16"	1/2"	7350	—
14 mm - 2.00	1-1/16"	1/2"	7352	—
16 mm - 1.50	1-1/4"	5/8"	7355	7855
16 mm - 2.00	1-1/4"	5/8"	7356	—
18 mm - 1.00	1-7/16"	3/4"	7358	—
18 mm - 1.50	1-7/16"	3/4"	7359	7859
18 mm - 2.50	1-7/16"	3/4"	7361	—
20 mm - 2.50	1-7/16"	3/4"	7364	—
22 mm - 1.50	1-5/8"	7/8"	7365ZR	7865ZR
24 mm - 1.50	1-13/16"	1"	7367	—
30 mm - 1.50	2"	1"	7373	—

Description	Width Across Hex Flats	Thickness of Hex Die	Right-Hand Bulk Item #	Left-Hand Bulk Item #
1/4" - 20 NC	19/32"	1/4"	7220	7720
1/4" - 28 NF	19/32"	1/4"	7223	7723
5/16" - 18 NC	11/16"	5/16"	7227ZR	7727
5/16" - 24 NF	11/16"	5/16"	7229	7729
3/8" - 16 NC	25/32"	3/8"	7234	7734
3/8" - 24 NF	25/32"	3/8"	7236	7736
7/16" - 14 NC	7/8"	7/16"	7239	7739ZR
7/16" - 20 NF	7/8"	7/16"	7240	7740
1/2" - 13 NC	1-1/16"	1/2"	7244	7744
1/2" - 20 NF	1-1/16"	1/2"	7245	7745
9/16" - 12 NC	1-1/16"	1/2"	7248ZR	7748
9/16" - 18 NF	1-1/16"	1/2"	7249ZR	7749
5/8" - 11 NC	1-1/4"	5/8"	7252	7752
5/8" - 18 NF	1-1/4"	5/8"	7254	7754
11/16" - 11 NS	1-7/16"	3/4"	7256	7756
11/16" - 16 NS	1-7/16"	3/4"	7257ZR	7757
3/4" - 10 NC	1-7/16"	3/4"	7258ZR	7758
3/4" - 16 NF	1-7/16"	3/4"	7260	7760
7/8" - 9 NC	1-5/8"	7/8"	7261	7761
7/8" - 14 NF	1-5/8"	7/8"	7263	7763
1" - 8 NC	1-13/16"	1"	7265	7765
1" - 12 NF	1-13/16"	1"	7266	7766
1" - 14 NS	1-13/16"	1"	7267	7767
1-1/8" - 7 NC	2"	1"	7268	—
1-1/8" - 12 NF	2"	1"	7269	—
1-1/4" - 7 NC	2-3/16"	1"	7270	—
1-1/4" - 12 NF	2-3/16"	1"	7271	—
1-3/8" - 6 NC	2-3/8"	1"	7272	—
1-3/8" - 12 NF	2-3/8"	1"	7273	—
1-1/2" - 6 NC	2-9/16"	1"	7274	—
1-1/2" - 12 NF	2-9/16"	1"	7275	—

Taps & Dies

Re-Threading Die Sets

HANSON 10-piece Hexagon Re-threading Fractional NC Die Set (HCS)



25701

HANSON 10-piece Hexagon Re-threading Fractional NF Die Set (HCS)



24801

HANSON 6-piece Hexagon Re-threading Fractional Pipe Taper Die Set (HCS)



1922

HANSON 16-piece Hexagon Re-threading Fractional Die Set (HCS)



24839

HANSON 12-piece Tap & Re-threading Hexagonal Pipe Die Sets (HCS) & (HSS)



1920

Set Contents	Item # 25701
Die Size	
1/4" - 20 NC	7220
5/16" - 18 NC	7227ZR
3/8" - 16 NC	7234
7/16" - 14 NC	7239
1/2" - 13 NC	7244
9/16" - 12 NC	7248ZR
5/8" - 11 NC	7252
3/4" - 10 NC	7258ZR
7/8" - 9 NC	7261
1" - 8 NC	7265

Set Contents	Item # 24801
Die Size	
1/4" - 28 NF	7223
5/16" - 24 NF	7229
3/8" - 24 NF	7236
7/16" - 20 NF	7240
1/2" - 20 NF	7245
9/16" - 18 NF	7249ZR
5/8" - 18 NF	7252
3/4" - 16 NF	7260
7/8" - 14 NF	7263
1" - 12 NF	7266

Set Contents	Item # 1922R
Die Size	
1/8" - 27 NPT	7402
1/4" - 18 NPT	7403ZR
3/8" - 18 NPT	7404
1/2" - 14 NPT	7405
3/4" - 14 NPT	7406
1" - 11-1/2 NPT	7407

Set Contents	Item # 24839
Die Size	
1/4" - 20 NC	7220
1/4" - 28 NF	7223
5/16" - 18 NC	7227ZR
5/16" - 24 NF	7229
3/8" - 16 NC	7234
3/8" - 24 NF	7236
7/16" - 14 NC	7239
7/16" - 20 NF	7240
1/2" - 13 NC	7244
1/2" - 20 NF	7245
9/16" - 12 NC	7248ZR
9/16" - 18 NF	7249ZR
5/8" - 11 NC	7252
5/8" - 18 NF	7254
3/4" - 10 NC	7258ZR
3/4" - 16 NF	7260

Set Contents	Item # 1920	
Thread Size Pipe	Tap Item #	Hex Die Item #
1/8" - 27 NPT	1902	7402
1/4" - 18 NPT	1903	7403ZR
3/8" - 18 NPT	1904	7404
1/2" - 14 NPT	1905	7405
3/4" - 14 NPT	1906	7406
1" - 11-1/2 NPT	1907	7407
Empty Wooden Case		1920MT

Set Contents	Item # 1923	
Thread Size Pipe	Tap Item #	Hex Die Item #
1/8" - 27 NPT	459001	7402
1/4" - 18 NPT	459002	7403ZR
3/8" - 18 NPT	459003	7404
1/2" - 14 NPT	459004	7405
3/4" - 14 NPT	459005	7406
1" - 11-1/2 NPT	459006	7407

IRWIN®

Extractors




www.irwin.com

Serious Solutions for Stuck Fasteners

IRWIN® Tools has the solution to deal with a stuck fastener, a rounded or broken head, a snapped stud, or a stripped screw or fitting. Five different styles of extractors give you extra gripping power to remove problem fasteners without damaging workpieces.

Remove the Guesswork in Fastener Extraction

Fasteners vary widely in composition and hardness. That's why IRWIN has many different products for removing damaged fasteners and parts. Each extraction tool is specifically designed to take into account the material involved in order to make removal easier. The guidelines below will help you choose the tool that will deliver the optimal results for your particular situation.

Extractor Type	Benefits	Fastener Size Range	Drive Tool
Straight Flute 	<ul style="list-style-type: none"> Extracts without expanding material Ideal for pipes and fittings Works on left-hand or right-hand threads 	3/16" - 7/8"	<ul style="list-style-type: none"> Tap Wrench Wrench Socket Wrench WISE-GRIP® Locking Pliers IRWIN Tap Adaptors
Spiral Screw 	<ul style="list-style-type: none"> Spiral bites into harder materials with increasing torque Flutes embed deeper with each turn 	3/32" - 2-1/2"	<ul style="list-style-type: none"> Tap Wrench Wrench Socket Wrench WISE-GRIP Locking Pliers IRWIN Tap Adaptors
Multi-Spline Screw 	<ul style="list-style-type: none"> Low profile enables use in confined areas Provides most torque of internal extractors Engages fastener without a deep hole 	1/8" - 7/8"	<ul style="list-style-type: none"> Flat Wrench Socket Wrench WISE-GRIP Locking Pliers
Bolt Extractor 	<ul style="list-style-type: none"> Engages rusted-over, painted-on, and stripped-out bolts Grips broken, worn, or stubborn fasteners Drive with a variety of tools 	1/4" - 1"	<ul style="list-style-type: none"> Socket Wrench Wrench WISE-GRIP Locking Pliers
POWER-GRIP™ Screw & Bolt Extractors 	<ul style="list-style-type: none"> Grips rusted, painted, stripped, and even round-head fasteners and screws Easily fits into drill or power driver with quick change shank 	3/16" - 1/2"	<ul style="list-style-type: none"> Power Drill WISE-GRIP Locking Pliers

EXTRACTORS

Guide for Using Screw Extractors

Drill a hole in the threaded part or fastener to be removed. Drill deep enough for the extractor to grip without bottoming out. For best results, use a left-handed drill bit. Insert the extractor and turn with a wrench or drive tool.

HANSON® Straight Flute 536/526 Series



52605

- Extracts without expanding material
- Ideal for pipes and fittings
- Works on left-hand or right-hand threads

Description	Recommended Tap Wrench	Use Drill Size	Removes Bolts & Screws	Carded Item #	Bulk Item #
ST-1	TR-88	9/64"	3/16" - 5/16", 5 mm - 8 mm, No. 10	53601	52601
ST-2	TR-88	3/16"	3/8", 10 mm	53602	52602
ST-3	TR-88	15/64"	7/16" and 1/8" NPT, 10 mm, 1/8" BSP	53603	52603
ST-4	TR-98	5/16"	1/2" - 9/16" and 1/4" NPT, 12 mm - 14 mm, 1/4" BSP	53604	52604
ST-5	TR-98	3/8"	5/8" and 3/8" NPT, 16 mm, 3/8" BSP	53605	52605
ST-6	TR-98	15/32"	3/4" and 1/2" NPT, 20 mm, 1/2" BSP	53606	52606
ST-7	TR-98	9/16"	7/8", 22 mm, 5/8" BSP	53607	52607

HANSON Straight Flute Extractor Sets 536/526 Series



53625

Description	Contents	Carded Item #
4-pc Set	ST-2 - ST-5	53625
5-pc Set	ST-1 - ST-5	53635
6-pc Set	ST-1 - ST-6	53645

HANSON 10-piece Straight Flute Extractor & Cobalt Drill Bit Set



11118

Description	Contents		Carded Set Item # 11118	
10-pc Extractor & Cobalt Drill Bit Set in Vinyl Pouch	Straight Flute Extractors/Item #	Drill Bits/	Item #	
	ST-1	52601	9/64"	63109
	ST-2	52602	3/16"	63112
	ST-3	52603	15/64"	63115
	ST-4	52604	5/16"	63120
	ST-5	52605	3/8"	63124

EXTRACTORS

Extractors

Spiral Screw

HANSON® Spiral Screw Extractor 534/524 Series



52405

- Designed to remove broken studs, bolts, socket screws and fittings
- Aggressive left hand spiral design for extra gripping power

Description	Recommended Tap Wrench	Use Drill Size	Removes Bolts & Screws	Carded Item #	Bulk Item #
EX-1	TR-88	5/64"	3/32" - 5/32", 2.5 mm - 4 mm, No. 3 - No. 6	53401	52401
EX-2	TR-88	7/64"	5/32" - 7/32", 4 mm - 6 mm, No. 6 - No. 12	53402	52402
EX-3	TR-88	5/32"	7/32" - 9/32", 6 mm - 8 mm, No. 12	53403	52403
EX-4	TR-88	1/4"	9/32" - 3/8", 1/8" NPT, 1/8" BSP, 8 mm - 10 mm	53404	52404
EX-5	TR-98	19/64"	3/8" - 5/8", 1/4" NPT, 1/4" BSP, 10 mm - 16 mm	53405	52405
EX-6	TR-98	13/32"	5/8" - 7/8", 3/8" NPT, 3/8" BSP, 16 mm - 22 mm	53406	52406
EX-7	TR-98	17/32"	7/8" - 1-1/8", 1/2" NPT, 1/2" BSP, 22 mm - 27 mm	53407	52407
EX-8	—	13/16"	1-1/8" - 1-3/8", 3/4" NPT, 3/4" BSP, 27 mm - 36 mm	—	52408
EX-9	—	1-1/16"	1-3/8" - 2", 1" NPT, 1" BSP, 36 mm - 52 mm	—	52409
EX-10	—	1-15/16"	2-1/8" - 2-1/2", 1-1/4" NPT, 1-1/4" BSP, 52 mm - 68 mm	—	52410

EXTRACTORS

HANSON Spiral Screw Extractor & Drill Bit Combo Packs 537 Series



53704

- High speed steel drill bit ensures fast, clean drilling

Description	Carded Item #
EX-1 + 5/64" Drill Bit	53701
EX-2 + 7/64" Drill Bit	53702
EX-3 + 5/32" Drill Bit	53703
EX-4 + 1/4" Drill Bit	53704
EX-5 + 19/64" Drill Bit	53705
EX-6 + 13/32" Drill Bit	53706

Description	Contents	Carded Item #	53700	
6-pc Extractor & HSS Drill Bit Set in Vinyl Pouch	Straight Screw Extractors	Item #	Drill Bits	
		Item #	Item #	
	EX-1	52401	5/64"	60105
	EX-2	52402	7/64"	60107
	EX-3	52403	5/32"	60110

HANSON Spiral Screw Extractor Sets



53535

Description	Contents	Carded Item #	Bulk Item #
4-pc Set	EX-2 - EX-5	—	52425
5-pc Set	EX-1 - EX-5	53535	52435
6-pc Set	EX-1 - EX-6	53545	52445
9-pc Set	EX-1 - EX-9	—	52490

HANSON® 10-piece Spiral Screw Extractor & Drill Bit Set



11119

HANSON 10-piece Spiral Screw Extractor & Drill Bit Combo Packs



11117

HANSON 35-piece Spiral Screw Extractor & Drill Bit Set



11135ZR

HANSON 48-piece Master Extractor Set



3101010

- IRWIN's most complete extractor kit
- For use with fasteners above, below, or flush with the work surface

Description	Contents		Item # 11119	
10-pc Set in Metal Index	Spiral Screw Extractors/Item#		Drill Bits/Item #	
	EX-1	52401	5/64"	30505
	EX-2	52402	7/64"	30507
	EX-3	52403	5/32"	30510
	EX-4	52404	1/4"	30516
	EX-5	52405	19/64"	30519

Description	Contents		Item # 11117	
10-pc Set in Metal Index	Spiral Screw Extractors/Item#		Drill Bits/Item #	
	EX-1	52401	5/64"	63105
	EX-2	52402	7/64"	63107
	EX-3	52403	5/32"	63110
	EX-4	52404	1/4"	63116
	EX-5	52405	19/64"	63119

Description	Contents				Item # 11135ZR	
35-pc Set	Spiral Screw Extractors/Item #		Multi Spline Extractors/Item #		Left-Hand Cobalt Drill Bits/Item #	
	EX-1	52401	1/8"	53201	5/64"	30505
	EX-2	52402	5/32"	53202	7/64"	30507
	EX-3	52403	3/16"	53203	1/8"	30508
	EX-4	52404	7/32"	53204	5/32"	30510
	EX-5	52405	1/4"	53205	3/16"	30512
	EX-6	52406	9/32"	53206	7/32"	30514
			5/16"	53207	1/4"	30516
			11/32"	53208	9/32"	30518
			3/8"	53209	19/64"	30519
			13/32"	53210	5/16"	31520
			7/16"	53211	11/32"	30522
			15/32"	53212	3/8"	30524
			1/2"	53213	13/32"	30526
					7/16"	30528
					15/32"	30530
					1/2"	30532

Description	Contents					Item # 3101010		
48-pc Master Set	Spiral Screw Extractors/Item #		Multi Spline Extractors/Item #		Bolt Extractors/Item #		Left-Hand Cobalt Drill Bits/Item #	
	EX-1	52401	1/8"	53201	1/4"	53901	5/64"	30505
	EX-2	52402	5/32"	53202	5/16"-8mm	53902	7/64"	30507
	EX-3	52403	3/16"	53203	3/8"	53903	1/8"	30508
	EX-4	52404	7/32"	53204	10mm	53904	5/32"	30510
	EX-5	52405	1/4"	53205	7/16"-11mm	53905	3/16"	30512
	EX-6	52406	9/32"	53206	12mm	53906	7/32"	30514
			5/16"	53207	1/2"	53907	1/4"	30516
			11/32"	53208	13mm	53908	9/32"	30518
			3/8"	53209	9/16"-14mm	53909	19/64"	30519
			13/32"	53210	5/8"-16mm	53910	5/16"	31520
			7/16"	53211	17mm	53911	11/32"	30522
			15/32"	53212	11/16"	53912	3/8"	30524
			1/2"	53213	3/4"-19mm	53913	13/32"	30526
							7/16"	30528
							15/32"	30530
							1/2"	30532

EXTRACTORS

Extractors

Multi-Spline Screw

HANSON® Hex Head Multi-Spline



53225

- Designed to remove broken studs, bolts, socket screws and fittings for high torque applications
- Aggressive left-hand spiral design for extra gripping power

Description	Hex Head Size	Bolt Diameter	Recommended Drill Bit Diameter	Carded Item #	Bulk Item #
1/8"	1/2"	#12	1/8"	52201ZR	53201
5/32"	1/2"	1/4"	5/32"	52202	53202
3/16"	1/2"	5/16"	3/16"	52203	53203
7/32"	1/2"	3/8"	7/32"	52204	53204
1/4"	1/2"	7/16"	1/4"	52205	53205
9/32"	1/2"	1/2"	9/32"	52206	53206
5/16"	1/2"	9/16"	5/16"	52207	53207
11/32"	1/2"	5/8"	11/32"	52208	53208
3/8"	1/2"	11/16"	3/8"	—	53209
13/32"	1/2"	3/4"	13/32"	—	53210
7/16"	5/8"	13/16"	7/16"	—	53211
15/32"	5/8"	7/8"	15/32"	—	53212
1/2"	5/8"	15/16"	1/2"	—	53213
17/32"	3/4"	1"	17/32"	—	53214
9/16"	3/4"	1-1/16"	9/16"	—	53215ZR
19/32"	3/4"	1-1/8"	19/32"	—	53216
5/8"	3/4"	1-3/16"	5/8"	—	53217
21/32"	7/8"	1-1/4"	21/32"	—	53218
11/16"	7/8"	1-5/16"	11/16"	—	53219
23/32"	7/8"	1-3/8"	23/32"	—	53220
3/4"	7/8"	1-7/16"	3/4"	—	53221
25/32"	1"	1-1/2"	25/32"	—	53222
13/16"	1"	1-9/16"	13/16"	—	53223
27/32"	1"	1-5/8"	27/32"	—	53224
7/8"	1"	1-11/16"	7/8"	—	53225

EXTRACTORS

HANSON Hex Head Multi-Spline



53226

Description	Contents	Item #
10-pc Set	1/8" through 13/32"	53226
Empty Case for 53226	—	53226MT
15-pc Set	1/8" through 9/16"	53228
Empty Case for 53228	—	53228MT
25-pc Set	1/8" through 7/8"	53227
Empty Case for 53227	—	53227MT

HANSON® BOLT-GRIP® Bolt Extractors



53910

- Reverse spiral flutes bite into bolt
- For use with 3/8" socket drive, VISE-GRIP® Locking Pliers, or wrench.

Removes Fractional Size Bolts	Removes Metric Size Bolts	Drive Size	Item #
1/4"	6 mm	3/8"	53901
5/16"	8 mm	3/8"	53902
3/8"	—	3/8"	53903
—	10 mm	3/8"	53904
7/16"	11 mm	3/8"	53905
—	12 mm	3/8"	53906
1/2"	—	3/8"	53907
—	13 mm	3/8"	53908
9/16"	14 mm	3/8"	53909
5/8"	16 mm	3/8"	53910
—	17 mm	3/8"	53911
11/16"	—	3/8"	53912
3/4"	19 mm	3/8"	53913
3/4"	19 mm	1/2"	53914
13/16"	21 mm	1/2"	53915
7/8"	22 mm	1/2"	53916
15/16"	24 mm	1/2"	53917
1"	—	1/2"	53918

HANSON BOLT-GRIP 9-piece Fractional Bolt Extractor Set



54009

Removes Fractional Size Bolts	Removes Metric Size Bolts	Drive Size	Item #
1/4"	6 mm	3/8"	53901
5/16"	8 mm	3/8"	53902
3/8"	—	3/8"	53903
7/16"	11 mm	3/8"	53905
1/2"	—	3/8"	53907
9/16"	14 mm	3/8"	53909
5/8"	16 mm	3/8"	53910
11/16"	—	3/8"	53912
3/4"	19 mm	3/8"	53913

HANSON BOLT-GRIP 9-piece Metric Bolt Extractor Set



54019

Removes Fractional Size Bolts	Removes Metric Size Bolts	Drive Size	Item #
5/16"	8 mm	3/8"	53902
—	10 mm	3/8"	53904
7/16"	11 mm	3/8"	53905
—	12 mm	3/8"	53906
—	13 mm	3/8"	53908
9/16"	14 mm	3/8"	53909
5/8"	16 mm	3/8"	53910
—	17 mm	3/8"	53911
3/4"	19 mm	3/8"	53913

HANSON BOLT-GRIP 13-piece Professional Industrial Set



54113

Removes Fractional Size Bolts	Removes Metric Size Bolts	Drive Size	Item #
1/4"	6 mm	3/8"	53901
5/16"	8 mm	3/8"	53902
3/8"	—	3/8"	53903
—	10 mm	3/8"	53904
7/16"	11 mm	3/8"	53905
—	12 mm	3/8"	53906
1/2"	—	3/8"	53907
—	13 mm	3/8"	53908
9/16"	14 mm	3/8"	53909
5/8"	16 mm	3/8"	53910
—	17 mm	3/8"	53911
11/16"	—	3/8"	53912
3/4"	19 mm	3/8"	53913

EXTRACTORS

HANSON® BOLT-GRIP® 5-piece Lugnut Specialty Set



54125

Removes Fractional Size Bolts	Removes Metric Size Bolts	Drive Size	Item # 54125
3/4"	19 mm	1/2"	53914
13/16"	21 mm	1/2"	53915
7/8"	22 mm	1/2"	53916
15/16"	24 mm	1/2"	53917
1"	—	1/2"	53918

5-piece HANSON BOLT-GRIP Base Set



394001

- Includes most commonly used sizes
- Engineered to grip bolts in almost any condition
- Case accommodates Expansion Set (#394002)

Removes Fractional Size Bolts	Removes Metric Size Bolts	Drive Size	Item # 394001
3/8"	—	3/8"	53903
7/16"	11 mm	3/8"	53905
1/2"	—	3/8"	53907
9/16"	14 mm	3/8"	53909
5/8"	16 mm	3/8"	53910

5-piece HANSON BOLT-GRIP Expansion Set



394002

- Provides additional diameters to address a complete range of fastener sizes

Removes Fractional Size Bolts	Removes Metric Size Bolts	Drive Size	Item # 394002
5/16"	8 mm	3/8"	53902
—	10 mm	3/8"	53904
—	13 mm	3/8"	53908
11/16"	—	3/8"	53912
3/4"	19 mm	3/8"	53913

5-piece HANSON BOLT-GRIP Deep Well Set



3094001

- Longer profile and smaller head to fit in smaller areas
- Reaches recessed fasteners and fits over exposed studs

Removes Fractional Size Bolts	Removes Metric Size Bolts	Drive Size	Item # 3094001
3/8"	—	3/8"	59903
7/16"	11 mm	3/8"	59905
1/2"	—	3/8"	59907
9/16"	14 mm	3/8"	59909
5/8"	16 mm	3/8"	59910

7-piece HANSON POWER-GRIP™ Set



394100

- Reverse spiral teeth provide maximum gripping power
- 1/4" hex shank fits most drills and Quick Change Adaptors

Removes Fractional Size Bolts	Removes Metric Size Bolts	Drive Size	Item # 394100
3/16"	—	1/4"	394100A
1/4"	—	1/4"	394101A
5/16"	8 mm	1/4"	394102A
3/8"	—	1/4"	394103A
—	10 mm	1/4"	394104A
7/16"	11 mm	1/4"	394105A
1/2"	—	1/4"	394107A

IRWIN®

Worksite Products



www.irwin.com

Gear for the Tradesman

IRWIN® provides a wide selection of worksite products to fit the needs of tradesmen. Every day on the jobsite, this gear delivers an easy, organized and efficient way to carry key tools and hardware while providing protection from the rigors of the trade.

ArmorMAX™ 6-Piece Polyester Construction Rig



4031049

- Large capacity design with easy access pockets
- Includes adjustable belt, hammer and tape holders
- Puncture and tear resistant

Suede Leather 10-Pocket Carpenter's Apron



4031003

- Oversized center pocket for fasteners or tape
- Dual hammer holders
- Reinforced points of wear for greater durability
- Includes integrated nylon belt

Lightweight Cotton 2-Pocket Nail Apron



4031051

- Machine washable

WORKSITE PRODUCTS

Lightweight Cotton Machinist's Apron



4031052

- "Bib" style provides full body protection
- 5-pocket design
- Machine washable

2" Full Grain Saddle Leather Belt



4031025

- Fits all standard pouches and belt accessories
- Made of saddle leather for added durability

Oil Tanned Leather Electrician's Pouch



4031007

- 10-pocket customized design for easy vertical tool access
- Includes tape holder, key fastener, and accessory chain

Description	Item #
ArmorMAX™ 6-pc. Polyester Construction Rig	4031049
10-Pocket Suede Carpenter's Apron	4031003
2-Pocket Cotton Nail Apron	4031051
5-Pocket Cotton Machinist's Apron	4031052
2" Full Grain Saddle Leather Belt	4031025
Oil Tanned Leather Electrician's Pouch	4031007

Suede Leather 10-Pocket Journeyman's Pouch



4031012

- Dual hammer holders
- Reinforced points of wear for greater durability

ArmorMAX 10-Pocket Maintenance Pouch



4031045

- Easy access pocket design
- Includes tape holder, multi-purpose clip and accessory chain
- All-weather use

Universal Cell Phone Holder



4031022

- Universally designed to fit all phones, two-way radios or walkie talkies
- Integrated belt hook and belt loop
- Fits all standard 2" belts

Flip Phone Holder



4031024

- Holds most flip phones
- Includes belt clip
- Fits all standard 2" belts

Saddle Leather Hammer Holder



4031015

- Metal hammer capture
- Made of saddle leather for added durability
- Fits all standard 2" belts

Saddle Leather Hammer Holder



4031054

- Metal hammer capture
- Made of saddle leather for added durability
- Fits all standard 2" belts

Saddle Leather Plier Holder



4031023

- Fits all standard pliers
- Made of saddle leather for added durability
- Fits all standard 2" belts

Saddle Leather Tape Holder



4031053

- Snap strap holds tape in place
- Made of saddle leather for added durability
- Fits all standard 2" belts

Saddle Leather Utility Knife Holder



4031018

- Holds all standard utility knives
- Made of saddle leather for added durability
- Fits all standard 2" belts

Description

Description	Item #
10-Pocket Suede Journeyman's Pouch	4031012
ArmorMAX 10-Pocket Maintenance Pouch	4031045
Saddle Leather Hammer Holder (Natural)	4031015
Saddle Leather Tape Holder (Black)	4031053
Saddle Leather Hammer Holder (Black)	4031054
Saddle Leather Utility Knife Holder (Black)	4031018
Universal Cell Phone Holder	4031022
Saddle Leather Plier Holder (Black)	4031023
Flip Phone Holder	4031024

18" Double-Sided Tool Bag



4402017

- Three (3) zippered compartments for greater organization
- Includes one removable pouch

16" Contractor's Bag



4402020

- Large zippered storage compartment
- Stay-open design
- Removable shoulder strap

12" Contractor's Bag



4402019

- Large zippered storage compartment
- Stay open design
- Removable shoulder strap

Pro Bucket Tool Organizer



420001

- 56 pockets store and organize everything from screws to socket wrenches
- Easy-to-locate clip keeps keys and other small objects handy
- Fits most 5-gallon buckets

Pro Large Tool Organizer



420002

- 58 various pocket sizes for easy access
- Large capacity storage with open top design
- False bottom provides separate storage for important items

Pro Soft Side Tool Organizer



420003

- Small, lightweight and strong
- Zippered top opens wide for easy access and secure transport
- Padded handle with reinforced stitching for extra strength

Pro Utility Tool Organizer



420004

- 26 various pockets to carry a broad range of tools and accessories
- Pockets and compartments designed to provide better organization

16" Utility Tote



4402016

- Open main storage compartment, side pockets, 2" level storage
- Removable shoulder strap

Electrician's Tote



4402011

- Designed for easy vertical tool access
- Includes plastic small parts organizer

Description	Item #
18" Double-Sided Tool Bag	4402017
16" Contractor's Bag	4402020
12" Contractor's Bag	4402019
Electrician's Tote	4402011
16" Utility Tote	4402016
Pro Bucket Tool Organizer	420001
Pro Large Tool Organizer	420002
Pro Soft Side Tool Organizer	420003
Pro Utility Tool Organizer	420004

Heavy-Duty Jobsite Work Gloves



432001

- TechnoGrip® reinforced palm, thumb and fingertips for extra durability
- Designed for harsh applications and rough materials, without losing dexterity
- Knuckles padded with perforated Neoprene for breathability and protection

Carpenter Work Gloves



432003

- Form-fitted open finger design allows for better dexterity
- TechnoGrip® reinforced palm, thumb and fingertips for extra durability
- Knuckles padded with perforated Neoprene for breathability and protection

General Construction Work Gloves



432005

- Two layers of synthetic suede on palm, thumb and fingers for comfort and extended wear
- Rubberized finger tips for better gripping
- Knuckles padded with perforated Neoprene for breathability and protection
- Form-fitted for improved fit and dexterity

I-Gel™ Gum Rubber Kneepads



4033005

- Skid-resistant gum rubber won't mar or scratch floors
- Maximum impact absorption
- Will not compress or break down with extended wear

I-Gel Stabilizer Kneepads



4033006

- Provides superior stability for roofing and HVAC use
- Maximum impact absorption
- Will not compress or break down with extended wear

ArmorDex™ Work Gloves



4403235

- Heavy-duty material protects against abrasions, cuts and punctures
- Terry cloth thumb for quick brow wipes

Hard Shell Kneepads



4033014

- Exterior cap includes high density closed-cell foam for maximum comfort
- Fully-stitched cap keeps out debris
- Dual strap design for versatility

Ultra-Light Kneepads



4033016

- Ideal for wet surfaces
- Wide strap with hook and loop closure

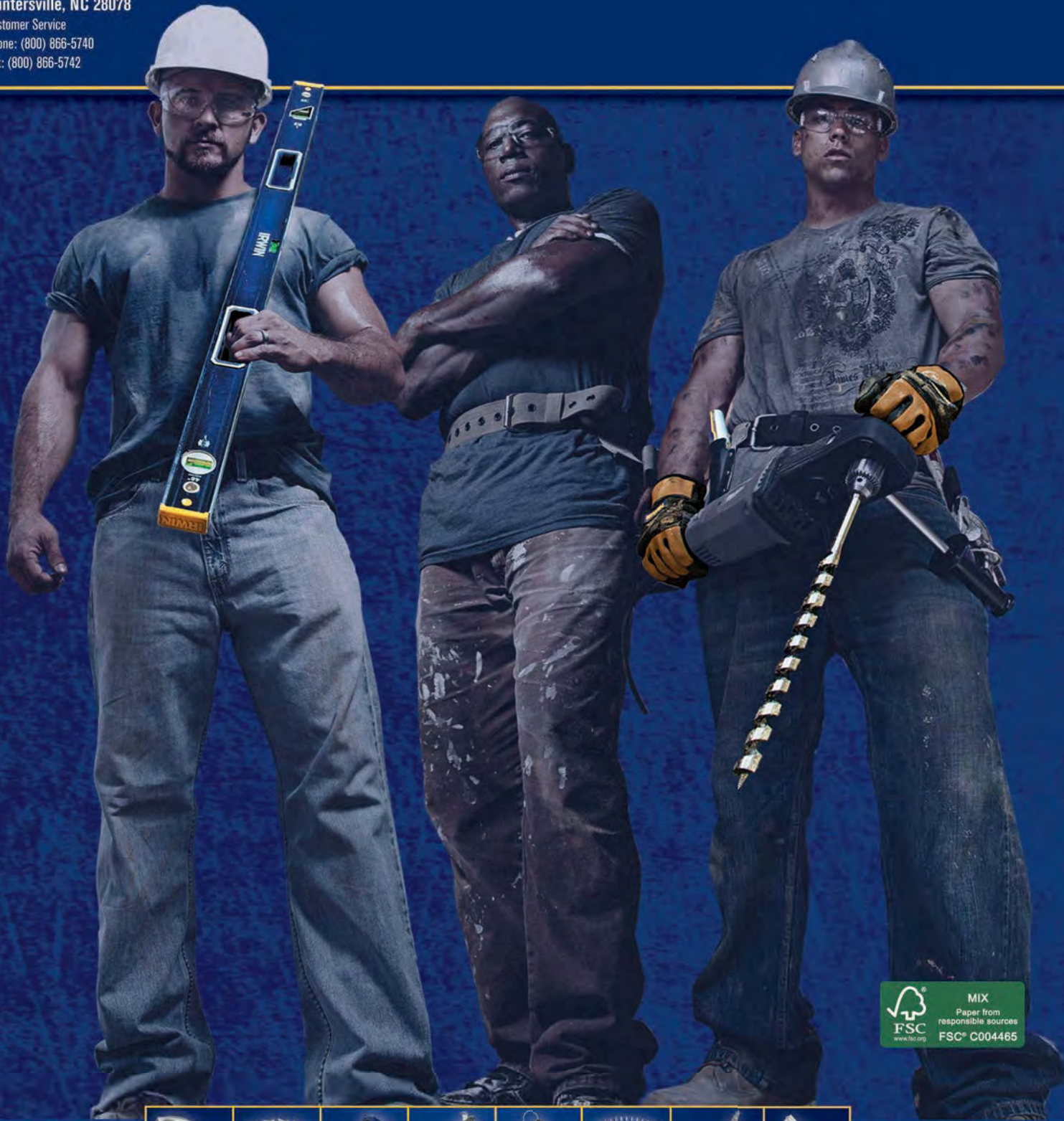
Description	Item #
Heavy-Duty Jobsite Work Gloves - L	432001
Heavy-Duty Jobsite Work Gloves - XL	432002
Carpenter Work Gloves - L	432003
Carpenter Work Gloves - XL	432004
General Construction Work Gloves - L	432005
General Construction Work Gloves - XL	432006
ArmorDex Work Gloves - M	4403233
ArmorDex Work Gloves - L	4403234
ArmorDex Work Gloves - XL	4403235
I-Gel Gum Rubber Kneepads	4033005
I-Gel Stabilizer Kneepads	4033006
Hard Shell Kneepads	4033014
Ultra-Light Kneepads	4033016

*TechnoGrip is a registered trademark of Eastex Products, Inc.



WISE-GRIP *MARATHON* **QUICK-GRIP** *SPEEDBOR* STRAIT-LINE Marples. *Unibit*. **HANSON**.

© 2013
IRWIN Tools
Huntersville, NC 28078
Customer Service
Phone: (800) 866-5740
Fax: (800) 866-5742



 MIX
Paper from
responsible sources
FSC® C004465



www.irwin.com