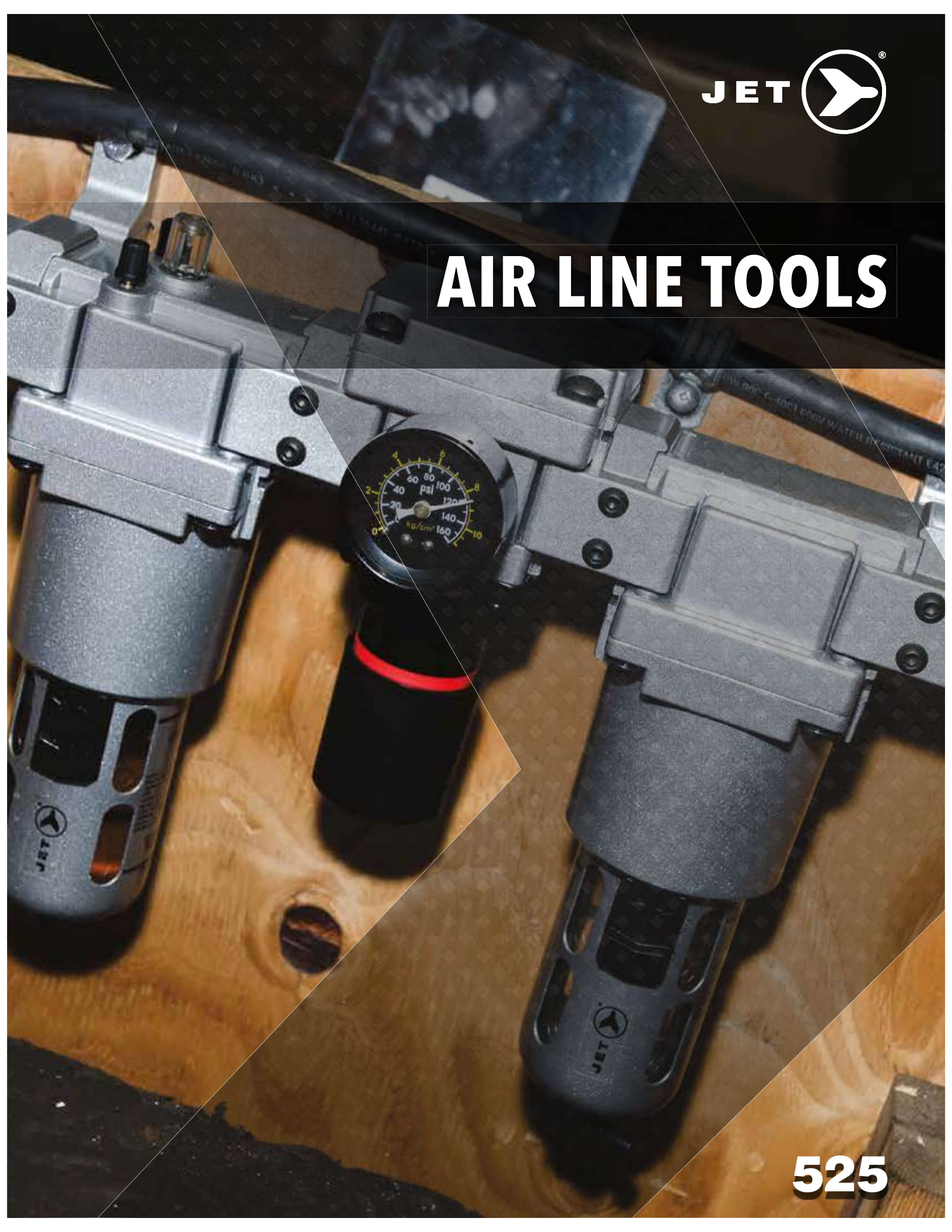


# AIR LINE TOOLS



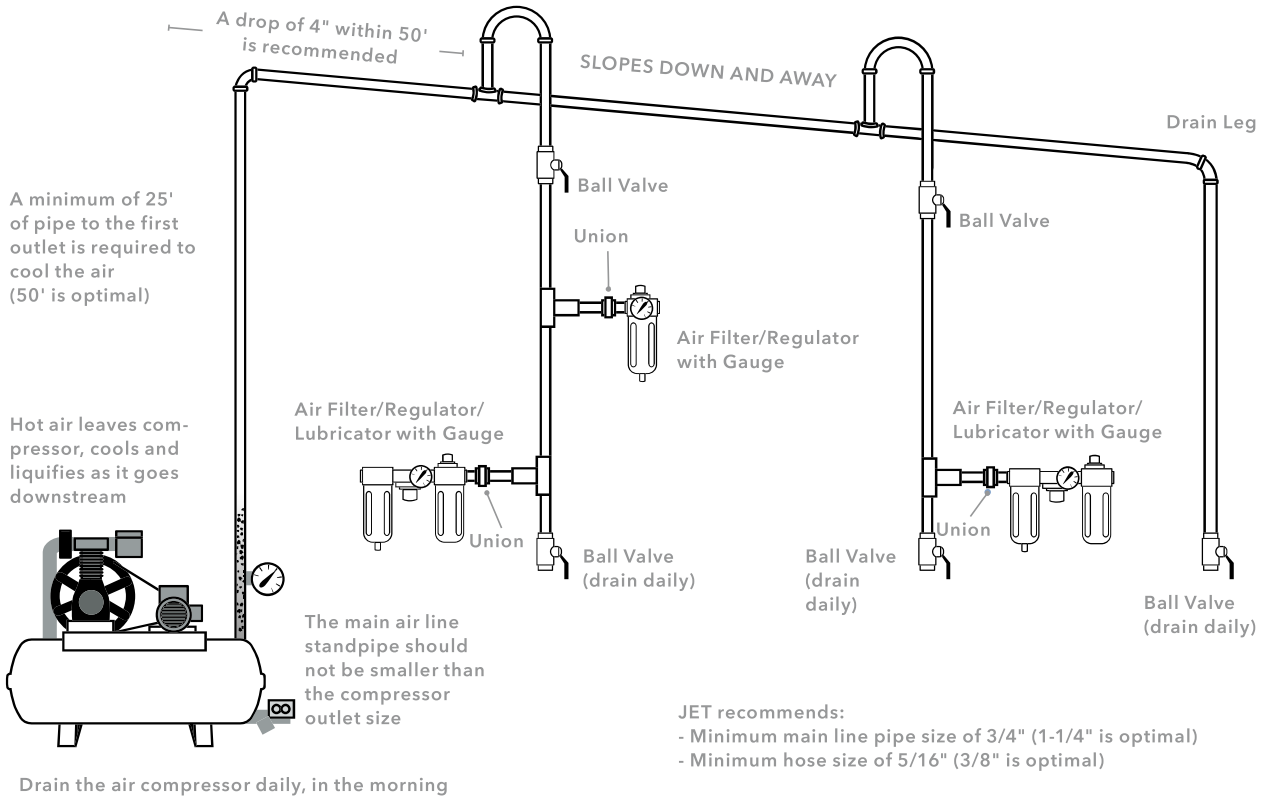


## FILTERS, REGULATORS AND LUBRICATORS

JET prides itself by carrying some of the best quality air tools in the world. However, like all air tools, performance and life can be severely compromised due to water and/or debris in the air line system, improper lubrication and/or improper air pressure supplied to the tool itself.

The diagram below outlines a basic air line system that should be used when operating air tools. This includes the proper placement and use of air filters, regulators and lubricators to ensure that clean, waterless air, arrives at the tool with the correct mix of oil lubrication and air pressure to achieve peak performance and tool life. Further, it is critical that accumulated air moisture be drained daily and sometimes more frequently from your air tank and air line system. Internal rust due to excessive moisture is one of the most common problems found in air tools sent in for repair. By maintaining your air tools through proper lubrication and ensuring the use of clean, dry air you extend their life and protect your warranty.

### Sample Shop Air Piping Layout



Air Tool Oiler  
408832



Brass Air Regulator  
408811



3 PC Air Filter, Regulator and  
Lubricator 1" NPT -  
Heavy Duty - 408858



Pressure Gauge - 1/4" NPT  
Heavy Duty - 408814

# FILTERS, REGULATORS AND LUBRICATORS

## Quality Features

- Industrial construction **aluminum die cast** body (9 times safer than a plastic body). Allows use at higher temperatures and better tightening of piping without stripping the threads.
- Built-in **wall mounting brackets**.
- **Built-in piping adapters** allows individual components to be easily removed/mounted without disturbing the pipe line.
- **Steel bowl guard** protects the polycarbonate bowl from getting damaged.
- **Filter unit** incorporates both separator and shield for maximum moisture separation.
- **Sintered bronze filtering element** versus commonly used paper filter provides for better filtration without the need to replace the filter element.
- **Press type manual drain** incorporates "Night Time Drain" feature which automatically drains off the bowl when compressed air supply is switched off.

## Other Features

- Each unit is 100% factory tested and certified for guaranteed performance
- Designed for maximum flow with proper sizing of all components
- Fully modular for easy maintenance





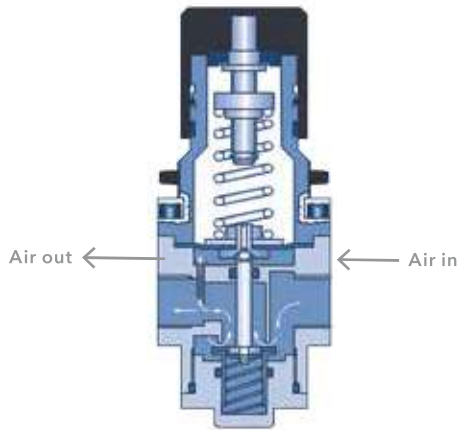
To increase pressure - pull knob, turn clockwise and push it back to lock in position. To reduce pressure - pull knob, turn counter clockwise and push it back to lock in position



Port for Installing Pressure Gauge 408818

**Standard Configuration**

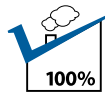
- Pressure adjustment range of 7 - 145 PSI (0.5 - 10 BAR)



**FILTERS, REGULATORS AND LUBRICATORS**

**Air Regulators**

408817 / 408818	408823 / 408821	408825	408826 / 408828
<b>Miniature</b>	<b>Intermediate</b>	<b>Standard</b>	<b>Heavy Duty</b>
Max. flow rate: <b>21 CFM / 600 LPM</b>	Max. flow rate: <b>88 CFM / 2,500 LPM</b>	Max. flow rate: <b>140 CFM / 4,000 LPM</b>	Max. flow rate: <b>210 CFM / 6,000 LPM</b>
	Built-in Venturi for flow compensation	Built-in Venturi for flow compensation	Built-in Venturi for flow compensation



Factory Tested



220 PSI (15 BAR)



Ambient 0-60°C (32-140°F)

**MODULAR MOUNTING**

**P/ANE MOUNTING**

CONFORMS TO **ISO 6953-1**

- One of the most commonly used air line accessories, regulators are used to maintain a steady outlet pressure, unaffected by variations/fluctuations in the inlet pressure
- Regulators step down the air line pressure and can be set at any pressure below the inlet air pressure
- Aluminum die cast body, designed with a non-raising "Press to Lock" adjusting knob for locking at any set pressure
- Regulators work on a diaphragm operated relieving type mechanism with pressure compensated by balanced poppet. These can be installed in any position

**Wetted Components:**

Aluminum, brass, steel, acetal, stainless steel and nitrile

PROD. NO.	MOD. NO.	Description	Port Size	Flow Rate (Max)*		Pressure Gauge Port Size	Height (h)		Width (w)	
				CFM	LPM		in	mm	in	mm
408817	ARM18	Miniature	1/8"	21	600	1/8"	3.19	81	1.57	40
408818	ARM14	Miniature	1/4"	21	600	1/8"	3.19	81	1.57	40
408821	ARI14	Intermediate	1/4"	88	2,500	1/8"	5.31	135	2.16	55
408823	ARI38	Intermediate	3/8"	88	2,500	1/8"	5.31	135	2.16	55
408825	ARS12	Standard	1/2"	140	4,000	1/8"	6.50	165	2.75	70
408826	ARH34	Heavy Duty	3/4"	175	5,000	1/4"	6.97	177	3.54	90
408828	ARH1	Heavy Duty	1"	210	6,000	1/4"	6.97	177	3.54	90

\* Inlet pressure 105 PSI (7 BAR), supply pressure 90 PSI (6 BAR) and pressure drop 17 PSI (1 BAR)

**ACCESSORIES AVAILABLE:**



Clamp



Pressure Gauge

Air Filters			
408871 / 408872	408873 / 408874	408875	408878 / 408879
<b>Miniature</b>	<b>Intermediate</b>	<b>Standard</b>	<b>Heavy Duty</b>
Max. flow rate: <b>28 CFM / 800 LPM</b>	Max. flow rate: <b>80 CFM / 2,250 LPM</b>	Max. flow rate: <b>125 CFM / 3,500 LPM</b>	Max. flow rate: <b>230 CFM / 6,500 LPM</b>
Threaded type steel bowl guard.	Bayonet type steel bowl guard	Bayonet type steel bowl guard	Bayonet type steel bowl guard

100%  
Factory Tested

MAX  
145 PSI  
(10 BAR)

TEMP  
Ambient 0-60°C  
(32-140°F)

**MODULAR MOUNTING**

**VERTICAL MOUNTING**

CONFORMS TO  
**ISO 5782-1**

- Air filters are used to separate dust, dirt, moisture and other contaminants from compressed air
- Die cast aluminum filter head, polycarbonate bowl with a steel bowl guard and high performance sintered bronze filtering element
- Designed with a separator and shield for efficient moisture separation

**Wetted Components:**

Aluminum, bronze, steel, acetal, polycarbonate, stainless steel and nitrile

PROD. NO.	MOD. NO.	Description	Port Size	Flow Rate (Max)*		Bowl Size		Height (h)		Width (w)	
				CFM	LPM	oz.	ml	in	mm	in	mm
408871	AFM18	Miniature	1/8"	28	800	0.3	9	4.45	113	1.57	40
408872	AFM14	Miniature	1/4"	28	800	0.3	9	4.45	113	1.57	40
408873	AFI14	Intermediate	1/4"	80	2,250	1.08	32	5.51	140	2.16	55
408874	AFI38	Intermediate	3/8"	80	2,250	1.08	32	5.51	140	2.16	55
408875	AFS12	Standard	1/2"	125	3,500	1.5	44	6.77	172	2.75	70
408878	AFH34	Heavy Duty	3/4"	175	5,000	5.6	165	10.24	260	3.54	90
408879	AFH1	Heavy Duty	1"	230	6,500	5.6	165	10.24	260	3.54	90

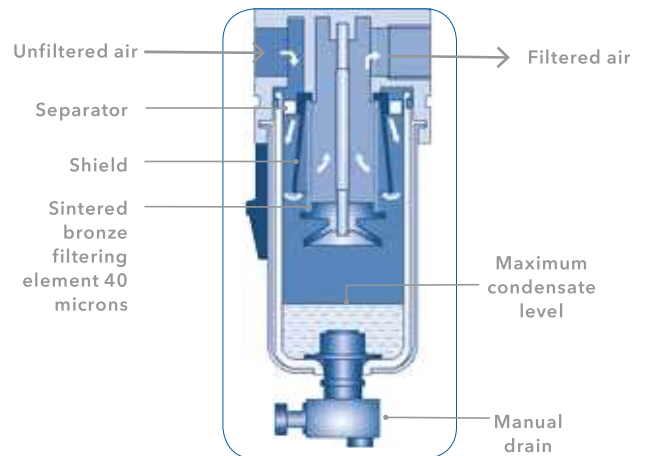
\* Inlet pressure 90 PSI (6 BAR) and pressure drop 4.5 PSI (0.3 BAR)

**ACCESSORIES AVAILABLE:**



**Standard Configuration**

- 40 micron filtering element
- Press type manual drain with "Night Time Drain" feature which automatically drains off the bowl once the compressed air supply to the filter is switched off



**WARNING:** Polycarbonate bowls may get damaged and possibly fail if exposed to synthetic oils, thinner, solvents, trichloroethylene, kerosene or other aromatic hydrocarbons



## FILTERS, REGULATORS AND LUBRICATORS

### Air Lubricators

408831 / 408833	408836	408842	408847 / 408849
<b>Miniature</b>	<b>Intermediate</b>	<b>Standard</b>	<b>Heavy Duty</b>
Max. flow rate: <b>21 CFM / 600 LPM</b>	Max. flow rate: <b>106 CFM / 3,000 LPM</b>	Max. flow rate: <b>200 CFM / 5,650 LPM</b>	Max. flow rate: <b>318 CFM / 9,000 LPM</b>
Min. flow rate: <b>0.42 CFM / 12 LPM</b>	Min. flow rate: <b>1.41 CFM / 40 LPM</b>	Min. flow rate: <b>1.59 CFM / 45 LPM</b>	Min. flow rate: <b>1.76 CFM / 50 LPM</b>
Threaded type steel bowl guard	Bayonet type steel bowl guard	Bayonet type steel bowl guard	Bayonet type steel bowl guard



Factory Tested



145 PSI (10 BAR)



Ambient 0-60°C (32-140°F)

**MODULAR MOUNTING**

**PANEL MOUNTING**

CONFORMS TO **ISO 6953-1**

- Air lubricators are used to feed lubricants to pneumatic equipment. These maintain a constant oil-to-air density over a wide range of flow
- Lubricators are fog/micro mist type, up to 50' pipe runs
- Die cast aluminum head, polycarbonate bowl with a steel bowl guard. The head is fitted with oil drop indicator, oil drop controller and oil filling plug

#### Wetted Components:

Aluminum, bronze, steel, acetal, polycarbonate, stainless steel and nitrile

**Note:** Designed for best performance with 32 grade oil

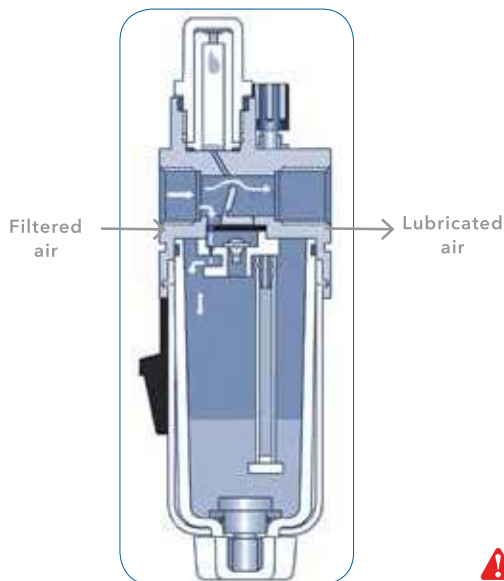
PROD. NO.	MOD. NO.	Description	Port Size	Flow Rate (Max)*		Bowl Size		Height (h)		Width (w)	
				CFM	LPM	oz.	ml	in	mm	in	mm
408831	ALM18	Miniature	1/8"	48	1,350	0.68	20	5.31	135	1.57	40
408833	ALM14	Miniature	1/4"	48	1,350	0.68	20	5.31	135	1.57	40
408836	ALI38	Intermediate	3/8"	106	3,000	1.98	57	6.18	157	2.16	55
408842	ALS12	Standard	1/2"	200	5,650	5.13	152	7.48	190	2.75	70
408847	ALH34	Heavy Duty	3/4"	255	7,200	6.8	200	10.75	273	3.54	90
408849	ALH1	Heavy Duty	1"	318	9,000	6.8	200	10.75	273	3.54	90

\* Inlet pressure 90 PSI (6 BAR) and pressure drop 7.5 PSI (0.5 BAR)

#### ACCESSORIES AVAILABLE:



Clamp



**WARNING:** Polycarbonate bowls may get damaged and possibly fail if exposed to synthetic oils, thinner, solvents, trichloroethylene, kerosene or other aromatic hydrocarbons.

## Filter, Regulator Combo

408881 / 408882	408883 / 408884	408885	408888 / 408889
<b>Miniature</b>	<b>Intermediate</b>	<b>Standard</b>	<b>Heavy Duty</b>
Max. flow rate: <b>20 CFM / 550 LPM</b>	Max. flow rate: <b>64 CFM / 1,800 LPM</b>	Max. flow rate: <b>106 CFM / 3,000 LPM</b>	Max. flow rate: <b>193 CFM / 5,500 LPM</b>
Threaded type steel bowl guard.	Bayonet type steel bowl guard, regulator with built-in Venturi for flow compensation	Bayonet type steel bowl guard, regulator with built-in Venturi for flow compensation	Bayonet type steel bowl guard, regulator with built-in Venturi for flow compensation



Factory Tested



145 PSI (10 BAR)



Ambient 0-60°C (32-140°F)

**MODULAR MOUNTING**

**PANEL MOUNTING**

- The filter, regulator combination is one of the most popular air preparation units. The 2 are assembled together to form a single unit
- Air filter is used to separate dust, dirt, moisture and other contaminants from compressed air
- Filter has a die cast aluminum body, polycarbonate bowl with a steel bowl guard and high performance sintered bronze filtering element
- Filter is designed with a separator and shield for efficient moisture separation. It is combined with a regulator which maintains a steady outlet pressure, unaffected by variations/fluctuations in the inlet pressure
- Regulators have a non-raising "Press to Lock" adjusting knob for locking at any set pressure. Regulators work on a diaphragm operated relieving type mechanism with pressure compensated by balanced poppet

### Wetted Components:

Aluminum, bronze, brass, steel, acetal, polycarbonate, stainless steel and nitrile

PROD. NO.	MOD. NO.	Description	Port Size	Flow Rate (Max)*		Pressure Gauge	Bowl Size		Height (h)		Width (w)	
				CFM	LPM		Port Size	oz.	ml	in	mm	in
408881	AFRM18	Miniature	1/8"	20	550	1/8"	0.3	9	6.69	170	1.57	40
408882	AFRM14	Miniature	1/4"	20	550	1/8"	0.3	9	6.69	170	1.57	40
408883	AFRI14	Intermediate	1/4"	64	1,800	1/8"	1.08	32	8.66	220	2.17	55
408884	AFRI38	Intermediate	3/8"	64	1,800	1/8"	1.08	32	8.66	220	2.17	55
408885	AFRS12	Standard	1/2"	106	3,000	1/8"	1.5	44	11.02	280	2.76	70
408888	AFRH34	Heavy Duty	3/4"	149	4,250	1/4"	5.6	165	14.6	370	3.54	90
408889	AFRH1	Heavy Duty	1"	193	5,500	1/4"	5.6	165	14.6	370	3.54	90

\* Inlet pressure 105 PSI (7 BAR). Set pressure 90 PSI (6 BAR). Pressure drop 17 PSI (1 BAR)

### ACCESSORIES AVAILABLE:



Clamp



Pressure Gauge



Manual drain incorporates automatic "Night Time Drain" feature

408885

### Standard Configuration

- Pressure adjustment range of 7 - 145 PSI (0.5 - 10 BAR)
- 40 micron filtering element
- Press type manual drain with "Night Time Drain" feature which automatically drains off the bowl once the compressed air supply to the filter is switched off

**WARNING:** Polycarbonate bowls may get damaged and possibly fail if exposed to synthetic oils, thinner, solvents, trichloroethylene, kerosene or other aromatic hydrocarbons.



## ACCESSORIES AVAILABLE:



Pressure Gauge

## FILTERS, REGULATORS AND LUBRICATORS

## FRL - 2 Piece

408801	408802	408804	408808 / 408809
<b>Miniature</b>	<b>Intermediate</b>	<b>Standard</b>	<b>Heavy Duty</b>
Max. flow rate: <b>18 CFM / 500 LPM</b>	Max. flow rate: <b>44 CFM / 1,250 LPM</b>	Max. flow rate: <b>99 CFM / 2,800 LPM</b>	Max. flow rate: <b>140 CFM / 4,000 LPM</b>
Min. flow rate: <b>0.42 CFM / 12 LPM</b>	Min. flow rate: <b>1.41 CFM / 40 LPM</b>	Min. flow rate: <b>1.59 CFM / 45 LPM</b>	Min. flow rate: <b>123 CFM / 3,500 LPM</b>
Threaded type steel bowl guard	Bayonet type steel bowl guard, regulator with built-in Venturi for flow compensation	Bayonet type steel bowl guard, regulator with built-in Venturi for flow compensation	Min. flow rate: <b>1.76 CFM / 50 LPM</b> Bayonet type steel bowl guard, regulator with built-in Venturi for flow compensation

Factory  
Tested145 PSI  
(10 BAR)Ambient 0-60°C  
(32-140°F)**MODULAR**  
MOUNTING**VERTICAL**  
MOUNTING

- Space saving 2 piece modular filter, regulator combination and lubricator is by far the most popular air preparation unit
- The filter, regulator combination and lubricator are attached in series using spacers and piping adapters, which makes the two components easily removable / mountable without disturbing the pipe line. Comes complete with a wall mounting bracket
- Air filter is used to separate dust, dirt, moisture and other contaminants from compressed air. Filter has a die cast aluminum body, polycarbonate bowl with a steel bowl guard and a high performance sintered bronze filtering element. Filter is designed with a separator and shield for efficient moisture separation
- Regulator maintains a steady outlet pressure, unaffected by variations/fluctuations in the inlet pressure. Regulators have a non-raising "Press to Lock" adjusting knob for locking at any set pressure. Regulators work on a diaphragm operated relieving type mechanism with pressure compensated by balanced poppet
- Air lubricators are used to feed lubricants to pneumatic equipments. These maintain a constant oil-to-air density over a wide range of flow. Lubricators are fog/micro-mist type, up to 50' pipe runs. Designed for best performance with 32 grade oil. These have a die cast aluminum head, polycarbonate bowl with a steel bowl guard. The head is fitted with oil drop indicator, oil drop controller and oil filling plug

**Wetted Components:**

Aluminum, bronze, brass, steel, acetal, polycarbonate, stainless steel and nitrile

PROD. NO.	MOD. NO.	Description	Port Size	Flow Rate (Max)*		Pressure Gauge Port Size	Bowl Size (Filter)		Bowl Size (Lubricator)		Height (h)		Width (w)	
				CFM	LPM		oz.	ml	oz.	ml	in	mm	in	mm
408801	AFRLCM14	Miniature	1/4"	18	500	1/8"	0.3	9	0.68	20	6.69	170	5.75	146
408802	AFRLC138	Intermediate	3/8"	44	1,250	1/8"	1.08	32	1.93	57	8.66	220	7.17	182
408804	AFRLCS12	Standard	1/2"	99	2,800	1/8"	1.5	44	5.17	152	11.02	280	8.66	220
408808	AFRLCH34	Heavy Duty	3/4"	123	3,500	1/4"	5.6	165	6.8	200	14.6	370	10.63	270
408809	AFRLCH1	Heavy Duty	1"	140	4,000	1/4"	5.6	165	6.8	200	14.6	370	10.63	270

\* Inlet Pressure 105 PSI (7 BAR). Set Pressure 90 PSI (6 BAR).  
Pressure Drop 17 PSI (1 BAR)

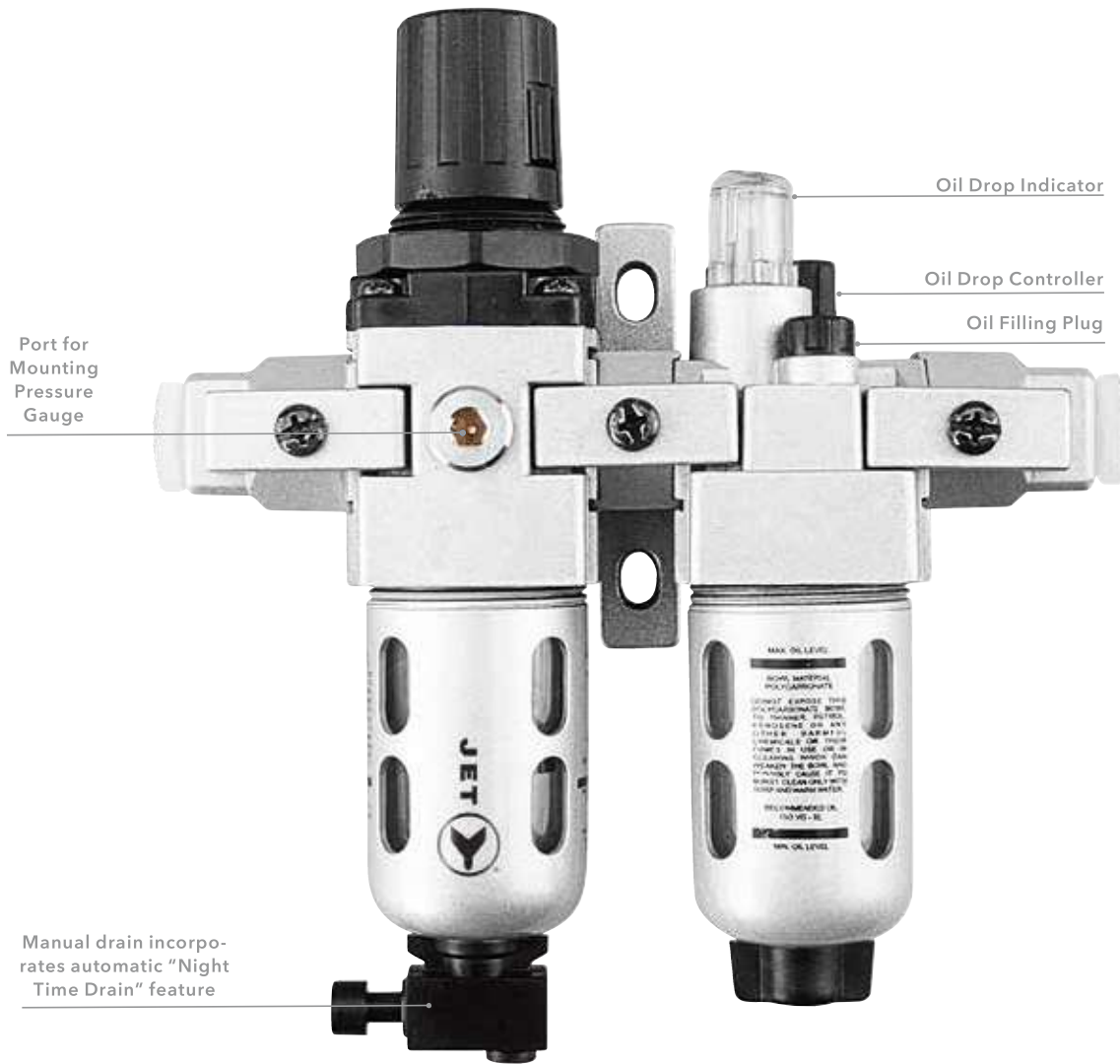


**WARNING:** Polycarbonate bowls may get damaged and possibly fail if exposed to synthetic oils, thinner, solvents, trichloroethylene, kerosene or other aromatic hydrocarbons.



# FILTERS, REGULATORS AND LUBRICATORS

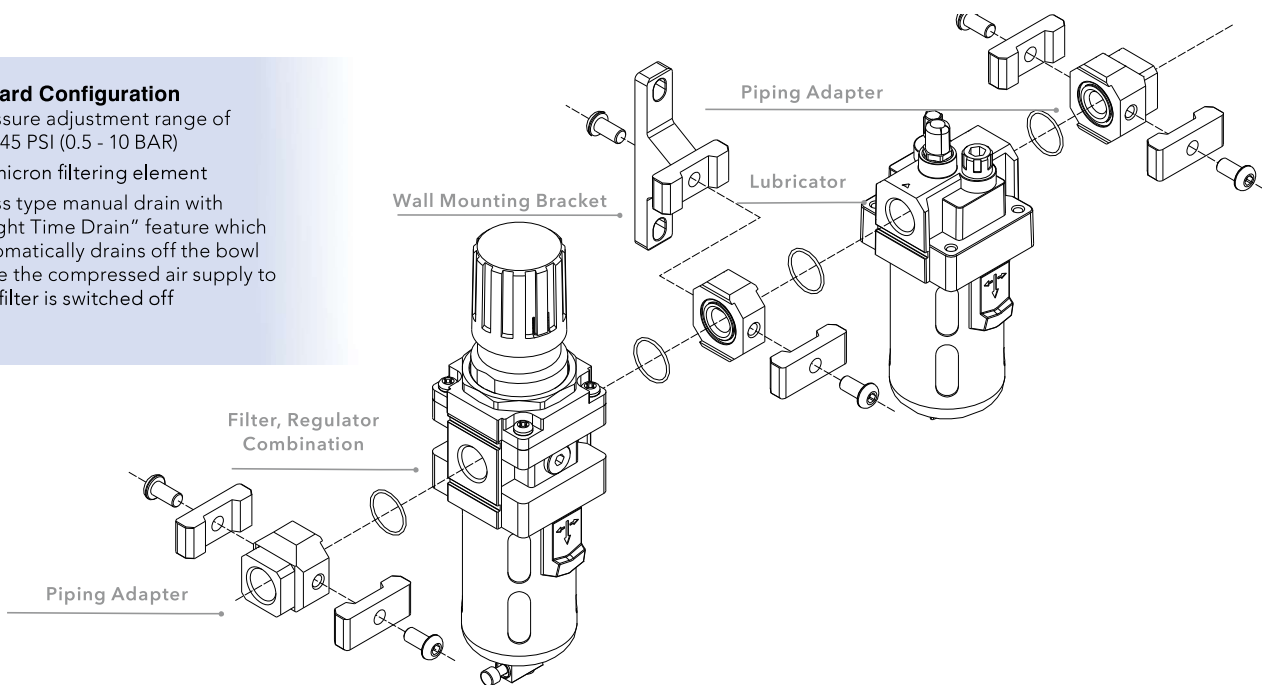
FRL - 2 Piece



408801

## Standard Configuration

- Pressure adjustment range of 7 - 145 PSI (0.5 - 10 BAR)
- 40 micron filtering element
- Press type manual drain with "Night Time Drain" feature which automatically drains off the bowl once the compressed air supply to the filter is switched off





## FILTERS, REGULATORS AND LUBRICATORS



### FRL - 3 Piece

408852	408855	408856	408857 / 408858
<b>Miniature</b>	<b>Intermediate</b>	<b>Standard</b>	<b>Heavy Duty</b>
Max. flow rate: <b>18 CFM / 500 LPM</b>	Max. flow rate: <b>71 CFM / 2,000 LPM</b>	Max. flow rate: <b>123 CFM / 3,500 LPM</b>	Max. flow rate: <b>175 CFM / 5,000 LPM</b>
Min. flow rate: <b>0.42 CFM / 12 LPM</b>	Min. flow rate: <b>1.41 CFM / 40 LPM</b>	Min. flow rate: <b>1.59 CFM / 45 LPM</b>	Min. flow rate: <b>1.76 CFM / 50 LPM</b>
Threaded type steel bowl guard	Bayonet type steel bowl guard, regulator with built-in Venturi for flow compensation	Bayonet type steel bowl guard, regulator with built-in Venturi for flow compensation	Bayonet type steel bowl guard, regulator with built-in Venturi for flow compensation



Factory Tested



145 PSI (10 BAR)



Ambient 0-60°C (32-140°F)

**MODULAR**  
MOUNTING

**VERTICAL**  
MOUNTING

#### ACCESSORIES AVAILABLE:



Pressure Gauge

- The filter, regulator and lubricator is a 3 piece assembly including all 3 individual components. The 3 components are attached in series using spacers and piping adapters, which make the individual components easily removable / mountable without disturbing the pipe line. Comes complete with wall mounting bracket
- Air filter is used to separate dust, dirt, moisture and other contaminants from compressed air. Filter has a die cast aluminum body, polycarbonate bowl with a steel bowl guard and a high performance sintered bronze filtering element. Filter is designed with a separator and shield for efficient moisture separation
- Regulator maintains a steady outlet pressure, unaffected by variations/fluctuations in the inlet pressure. Regulators have a non-raising "Press to Lock" adjusting knob for locking at any set pressure. Regulators work on a diaphragm operated relieving type mechanism with pressure compensated by balanced poppet
- Air lubricators are used to feed lubricants to pneumatic equipments. These maintain a constant oil-to-air density over a wide range of flow. Lubricators are fog/micro-mist type, up to 50' pipe runs. Designed for best performance with 32 grade oil. These have a die cast aluminum head, polycarbonate bowl with a steel bowl guard. The head is fitted with oil drop indicator, oil drop controller and oil filling plug

#### Wetted Components:

Aluminum, bronze, brass, steel, acetal, polycarbonate, stainless steel and nitrile

PROD. NO.	MOD. NO.	Description	Port Size	Flow Rate (Max)*		Pressure Gauge Port Size	Bowl Size (Filter)		Bowl Size (Lubricator)		Height (h)		Width (w)	
				CFM	LPM		oz.	ml	oz.	ml	in	mm	in	mm
408852	AFRLMM14	Miniature	1/4"	18	500	1/8"	0.3	9	0.68	20	6.69	170	7.87	200
408855	AFRLMI38	Intermediate	3/8"	71	2,000	1/8"	1.08	32	1.93	57	8.66	220	9.84	250
408856	AFRLMS12	Standard	1/2"	123	3,500	1/8"	1.5	44	5.17	152	11.02	280	12.00	305
408857	AFRLMH34	Heavy Duty	3/4"	123	3,500	1/4"	5.6	165	6.8	200	14.6	370	14.6	370
408858	AFRLMH1	Heavy Duty	1"	175	5,000	1/4"	5.6	165	6.8	200	14.6	370	14.6	370

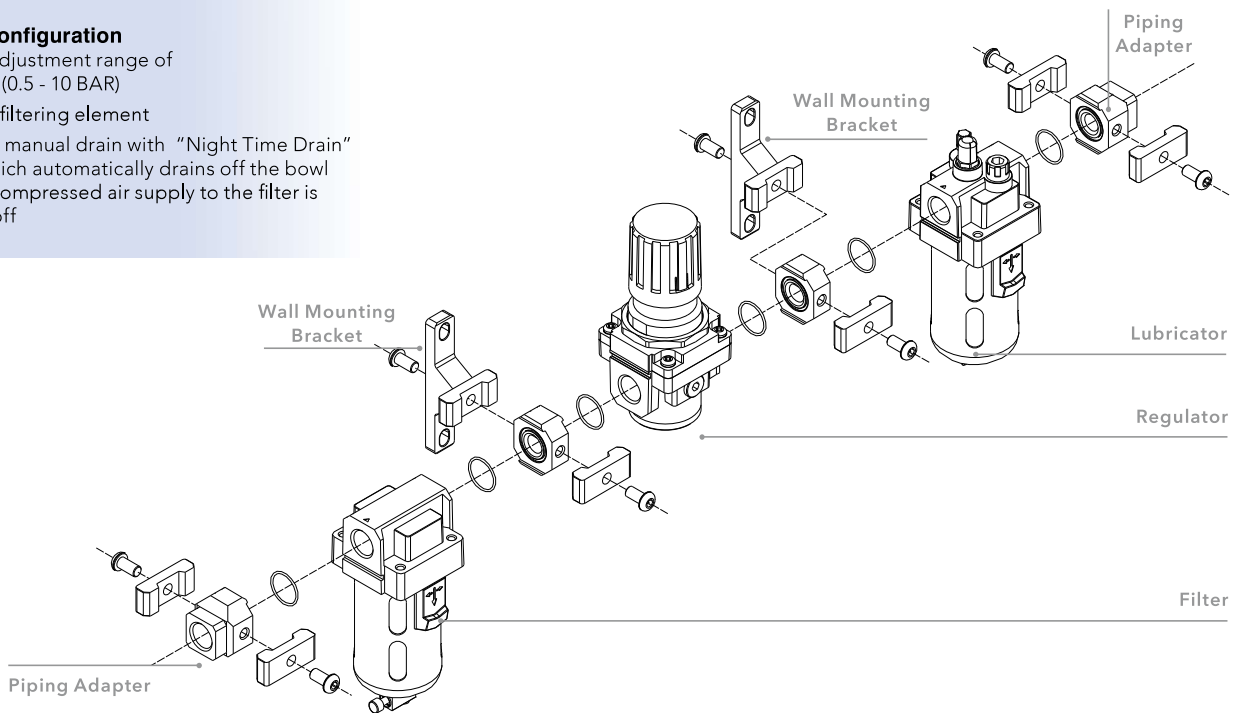
# FILTERS, REGULATORS AND LUBRICATORS

FRL - 3 Piece



## Standard Configuration

- Pressure adjustment range of 7 - 145 PSI (0.5 - 10 BAR)
- 40 micron filtering element
- Press type manual drain with "Night Time Drain" feature which automatically drains off the bowl once the compressed air supply to the filter is switched off



**WARNING:** Polycarbonate bowls may get damaged and possibly fail if exposed to synthetic oils, thinner, solvents, trichloroethylene, kerosene or other aromatic hydrocarbons.



## FILTERS, REGULATORS AND LUBRICATORS

### Accessories

#### Mounting Clamp for Individual Filters & Lubricators

- Steel clamps in a powder coated finish, used to mount individual filters and lubricators
- Both filter and lubricator units have threaded holes on the head casting into which the clamp fits

PROD. NO.	MOD. NO.	For Use with Model Series
408861	WMFLM	Miniature - AFM18, AFM14, ALM18, ALM14
408862	WMFLI	Intermediate - AFI14, AFI38, ALI38
408863	WMFLS	Standard - AFS12, ALS12
408864	WMFLH	Heavy Duty - AFH34, AFH1, ALH34, ALH1

#### Mounting Clamp for Regulators & Filter Regulator Combinations

- Steel clamps in a powder coated finish. The clamp has a hole into which the regulator fits in and is secured by the nut provided in the regulator

408865	WMFFRM	Miniature - ARM18, ARM14, AFRM18, AFRM14
408866	WMFFRI	Intermediate - ARI14, ARI38, AFR114, AFR138
408867	WMFFRS	Standard - ARS12, ARFS12
408868	WMFFRH	Heavy Duty - ARH34, AFRH34, ARH1, AFR1

#### Auto Drain Valve - External

- As a standard, all JET filters have a manual drain valve fitted on them, however, this can be changed with an automatic drain valve fitted externally to the bowl
- The auto drain valve drains the condensate water automatically. In addition to automatic draining, there is also provision in the valve for manual drain off
- Unlike an electrical auto drain valve, these float type auto drain valve's operate only when the condensate is collected and drains only the condensate

408891	ADVM	Miniature - AFM18, AFM14
408892	ADVI	Intermediate - AFI14, AFI38
408893	ADVS	Standard - AFS12
408894	ADVH	Heavy Duty - AFH34, AFH1

#### Pressure Gauges

- For use with regulators for setting output pressure. These are graduated both in BARS and PSI with a maximum reading of 200 PSI/14 BAR. Pressure Gauge is graduated in intervals of 5 PSI/0.20 BAR
- Male threads on the back side, fit female threads on the regulator

PROD. NO.	MOD. NO.	Threads NPT	For Use with Model Series
408813	RPGMIS18	1/8"	Miniature, Intermediate and Standard
408814	RPGH14	1/4"	Heavy Duty

#### 1/4" NPT Air Tools Oiler

408832 / AAM014

- Automatically feeds oil into tool increasing performance and tool life
- Hooks up directly to air tools
- Visible oil supply provides precision oil metering
- Prevents air line contamination
- 1/4" NPT male/female threads

#### 1/4" NPT Brass Air Regulator

408811 / AR5401

- Attaches to all air tools using 1/4" NPT air inlets
- Provides quick regulation of air flow on all air tools
- 1/4" NPT male/female threads



# AIR FITTINGS



# AIR FITTINGS

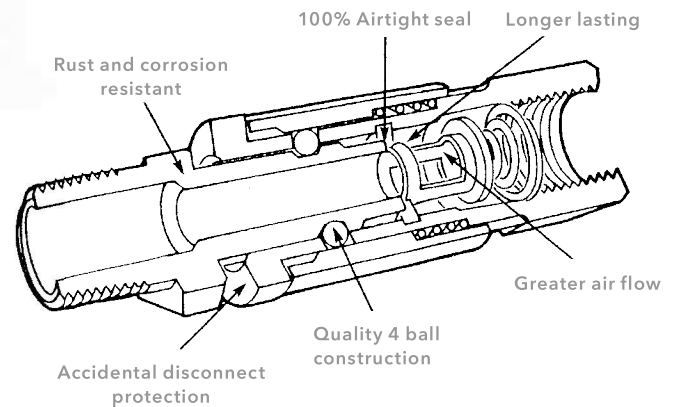
- Couplers have deep knurled socket sleeve
- Couplers have "4-Ball-Positive-Locking" mechanism
- Couplers and plugs made from "Zinc-Plated" steel to prevent rust from a moisture rich environment
- 1/4" Body x 1/4" NPT thread except where specified

## APPLICATIONS

- General air service
- Pneumatic tools

## SPECIFICATIONS

- Maximum Working Pressure - 150 PSI
- Air Flow - 35 SCFM at 100 PSI inlet with 10 PSI pressure drop
- Operating Temperature Range: -40°F to 225°F (-20°C to 107°C)



## HOW TO IDENTIFY Plug Designs



Our standard sleeve type couplers and plugs are manufactured to ensure interchangeability with other makes of couplers and plugs. The type of plug and coupler determines if it is interchangeable with other makes, different types can't be interchanged, as they fit improperly, or will not fit, and are therefore unsafe for use.

### "I/M" Industrial / Automotive Type Plug

- This type of plug has been adopted by all major manufacturers
- To identify this plug, look for the 3/16" tip
- V shape, flat bottom ball groove
- Complies with ANSI T3.20.14 dimensions



### "T" Automotive Type Plug

- This type of plug has the shortest tip compared to the other plug types
- It has the widest section between the ball groove and the tip
- Thick sealing surface around the tip, which provides better sealing and longer seal life



### "A" Type Plug

- To identify this plug, look for the 5/16" tip
- Round shape bottom ball groove



### L Type Plug

- This is the most easily identified plug due to its long 3/4" tip
- Because of this tip length it can only be used with a matching L style coupler
- Round shape bottom ball groove





I/M Type Coupler - Male



I/M Type Coupler - Female



I/M Type Plug - Male



I/M Type Plug - Female



420091



420092



L Type Coupler - Female



L Type Plug - Male



L Type Plug - Female

## AIR FITTINGS

### I/M Industrial/Automotive Type

#### 1/4" Body x 1/4" NPT Thread

- Accepts 1/4" NPT industrial type plug

PROD. NO.	MOD. NO.	Description	Type	Thread	Material	Packaging	Pieces
420051	ICF1414	Coupler	Female	NPT	Steel	Blister / Card	1
422051	ICF1414B	Coupler	Female	NPT	Steel	Bulk	10
420052	ICM1414	Coupler	Male	NPT	Steel	Blister / Card	1
420001	IPM1414	Plug	Male	NPT	Steel	Blister / Card	2
422001	IPM1414B	Plug	Male	NPT	Steel	Bulk	20
420002	IPF1414	Plug	Female	NPT	Steel	Blister / Card	2
422002	IPF1414B	Plug	Female	NPT	Steel	Bulk	20

Note: Products sold in bulk packages must be ordered in bulk package quantities or multiples thereof.

#### I/M Type Air Fitting Sets 1/4" NPT Thread

PROD. NO.	MOD. NO.	Set Includes	Material	Packaging	Pieces
420091	I5PCS	1 PC Coupler Female, 3 PC Plug Male, 1 PC Plug Female	Steel	Blister / Card	5
420092	I2PCS	1 PC Coupler Female, 1 PC Plug Male	Steel	Blister / Card	2

#### 1/4" Body x 3/8" NPT Thread

- Accepts 3/8" NPT industrial type plug

PROD. NO.	MOD. NO.	Description	Type	Thread	Material	Packaging	Pieces
420151	ICF1438	Coupler	Female	NPT	Steel	Blister / Card	1
420152	ICM1438	Coupler	Male	NPT	Steel	Blister / Card	1
420101	IPM1438	Plug	Male	NPT	Steel	Blister / Card	2
420102	IPF1438	Plug	Female	NPT	Steel	Blister / Card	2

## L TYPE

#### 1/4" Body x 1/4" NPT Thread

- Accepts 1/4" NPT L type plug

PROD. NO.	MOD. NO.	Description	Thread	Type	Material	Packaging	Pieces
420951	LCF1414	Coupler	Female	NPT	Steel	Blister / Card	1
420901	LPM1414	Plug	Male	NPT	Steel	Blister / Card	2
420902	LPF1414	Plug	Female	NPT	Steel	Blister / Card	2



# AIR FITTINGS

## T Automotive Type



### 1/4" Body x 1/4" NPT Thread

- Accepts 1/4" NPT T automotive type plug

PROD. NO.	MOD. NO.	Description	Type	Thread	Material	Packaging	Pieces
420351	TCF1414	Coupler	Female	NPT	Steel	Blister / Card	1
420352	TCM1414	Coupler	Male	NPT	Steel	Blister / Card	1
420301	TPM1414	Plug	Male	NPT	Steel	Blister / Card	2
420302	TPF1414	Plug	Female	NPT	Steel	Blister / Card	2

### T Type Air Fitting Set 1/4" NPT Thread

PROD. NO.	MOD. NO.	Set Includes	Material	Packaging	Pieces
420391	T5PCS	1 PC Coupler Female, 3 PC Plug Male, 1 PC Plug Female	Steel	Blister / Card	5



420391

## A TYPE

### 1/4" Body x 1/4" NPT Thread

- Accepts 1/4" NPT A type plug

PROD. NO.	MOD. NO.	Description	Type	Thread	Material	Packaging	Pieces
420651	ACF1414	Coupler	Female	NPT	Steel	Blister / Card	1
422651	ACF1414B	Coupler	Female	NPT	Steel	Bulk	10
420652	ACM1414	Coupler	Male	NPT	Steel	Blister / Card	1
420601	APM1414	Plug	Male	NPT	Steel	Blister / Card	2
422601	APM1414B	Plug	Male	NPT	Steel	Bulk	20
420602	APF1414	Plug	Female	NPT	Steel	Blister / Card	2
422602	APF1414B	Plug	Female	NPT	Steel	Bulk	20

### A Type Air Fitting Set 1/4" NPT Thread

PROD. NO.	MOD. NO.	Set Includes	Material	Packaging	Pieces
420691	A5PCS	1 PC Coupler Female, 3 PC Plug Male, 1 PC Plug Female	Steel	Blister / Card	5



T Type Coupler - Male



T Type Coupler - Female



T Type Plug - Male



T Type Plug - Female



A Type Coupler - Male



A Type Coupler - Female



A Type Plug - Male



A Type Plug - Female



U Universal Style  
Coupler - Male



U Universal Style  
Coupler - Female



## U UNIVERSAL STYLE COUPLERS

- The 1/4" universal coupler will accept 1/4" I/M industrial, 1/4" T automotive or 1/4" A type NPT style plugs
- Automatic push-to-connect operation
- Sleeve guard protects against accidental disconnection when coupler is dragged on the floor or over obstructions
- Deep knurled socket sleeve
- Uses a 4-Ball-Positive-Locking mechanism
- Made from Zinc-Plated steel to prevent rust from a moist rich environment

### 1/4" Body x 1/4" NPT Thread

PROD. NO.	MOD. NO.	Description	Type	Thread	Material	Packaging	Pieces
421251	UCF1414	Coupler	Female	NPT	Steel	Blister / Card	1
421252	UCM1414	Coupler	Male	NPT	Steel	Blister / Card	1

## 3-WAY CONNECTORS

- Supply three air tools from a single air inlet
- Not necessary to connect and disconnect for every tool change
- Made from high strength aluminum
- Maximum inlet pressure - 150 PSI

### APPLICATION

- General air service and pneumatic tools

### 3-Way Connectors

PROD. NO.	MOD. NO.	Kit Includes	Material	Packaging	Pieces
421501	3WMC14	One 1/4" FNPT Inlet x Three 1/4" FNPT Outlets	Aluminum	Blister / Card	1
421601	3WMC38	One 3/8" FNPT Inlet x Three 1/4" FNPT Outlets	Aluminum	Blister / Card	1

## 360° SWIVEL CONNECTORS

- Connect portable air tools to air hose
- 360° swivels in two places to prevent hose kinking and twisting
- Made from high strength aluminum and steel
- Maximum inlet pressure - 150 PSI
- Caution – not for use with percussion tools

### APPLICATION

- General air service and pneumatic tools

### 360° Swivel Connector 1/4" NPT

PROD. NO.	MOD. NO.	Type	Material	Packaging	Pieces
421551	SC1414	1/4" FNPT x 1/4" MNPT	Aluminum and Steel	Blister / Card	1
421651	SC3838	3/8" FNPT x 3/8" MNPT	Aluminum and Steel	Blister / Card	1

# AIR BLOW GUNS

- Innovative design allows trigger control air flow for all types of jobs
- Nickel plated finish resist corrosion
- Body material is plastic polyoxymethylene (POM)
- Equipped with two hang up hooks

## 4" Angled Tip Blow Gun - Heavy Duty 409903 / ABG-4

- Nozzle Material: Steel
- Working Inlet Pressure: 75 - 120 PSI
- Max. Inlet Pressure: 150 PSI
- Sound Pressure (dBA): 85 - 88
- Avg. Air Consumption (cfm) @ 90 PSI - 1/4" Hose: 13
- Avg. Air Consumption (cfm) @ 90 PSI - 3/8" Hose: 15
- Brass Air Inlet: 1/4" NPT female or 1/4" PT
- Temperature Range: -40° to 140°F

## 4" Angled Tip Safety Blow Gun - Heavy Duty 409904 / ABG0-4

- Nozzle Material: Aluminum
- Working Inlet Pressure: 75 - 120 PSI
- Max. Inlet Pressure: 150 PSI
- Sound Pressure (dBA): 88 - 92
- Avg. Air Consumption (CFM) @ 90 PSI - 1/4" Hose: 13
- Avg. Air Consumption (CFM) @ 90 PSI - 3/8" Hose: 15
- Brass Air Inlet: 1/4" NPT female or 1/4" PT
- Temperature Range: -20° to 80°F
- Specially designed safety tip limits air blow pressure to a maximum 30 PSI - meets OSHA safety standards

## 6-1/2 - 11" Expandable Tip Blow Gun - Heavy Duty 409905 / ABGS-11

- Nozzle Material: Steel  
Nozzle Extension: 6-1/2 - 11" (165 - 280mm)
- Working Inlet Pressure: 75 - 110 PSI
- Max. Inlet Pressure: 150 PSI
- Sound Pressure (dBA): 85 - 88
- Avg. Air Consumption (CFM) @ 90 PSI - 1/4" Hose: 13
- Avg. Air Consumption (CFM) @ 90 PSI - 3/8" Hose: 15
- Brass Air Inlet: 1/4" NPT female or 1/4" PT
- Temperature Range: -40° to 140°F

## Lever Air Blow Guns - Super Heavy Duty

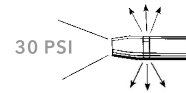
- More than just your ordinary on/off blow gun. This blow gun incorporates a revolutionary Venturi mechanism that results in a more efficient volume of air flow
- Air flow regulated by operator control lever
- Manufactured from die cast aluminum; these are made to last in the harshest environments
- Ergonomic design of the body and large dip coated operating lever reduces user fatigue and discomfort, even during extended use
- Manufactured fully using non corroding materials, these are threaded 1/4" NPT (F) at inlet and 1/8" NPT (F) at outlet
- Meets OSHA standards



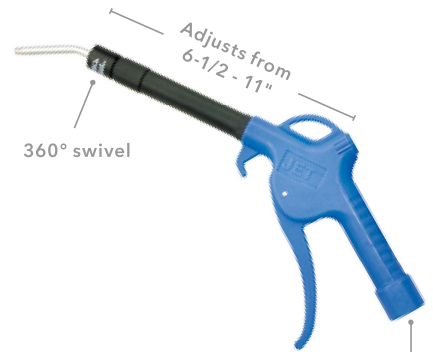
PROD. NO.	MOD. NO.	Description	Includes
409916	LABG-A	Lever Air Blow Gun	Conical Rubber Tip
409918	LABG-B	Lever Air Blow Gun	Standard Rubber Tip
409920	LABG-K	Lever Air Blow Gun Kit	Conical Rubber(409921), Standard Blow Gun Tip (409922), Standard Blow Gun with Safety Vent Tip(409923), High Flow Safety Tip(409924), Tapered Out Nylon Screen Tip (409931), Tapered in 3" Long Nylon Tip (409932), Tapered in Mini Aluminum Tip (409933), Adjustable Brass Tip (409936)



Brass inlet for longer life



30 PSI  
Safety tip meets OSHA safety standards



Adjusts from 6-1/2 - 11"  
360° swivel

Brass inlet for longer life



409916



Uses less air consumption

Maximizes available air supply

409910



409913

## AIR BLOW GUNS

### 4" Adjustable Flow Pocket Blow Gun - Heavy Duty

409908 / PBG-2

- Adjust from full volume air flow to complete shut off
- Knurled grip for finger control and sure grip for slippery fingers
- Equipped with shirt pocket clip
- All aluminum construction
- Comes with A style 1/4" NPT male coupler

### Blow Gun

409902 / AG16

- 1/4" NPT air inlet
- Extra nozzle included
- Ideal for all air cleaning jobs

### Soft Rubber Tip Blow Gun Stub Nose

409910 / ABG-2SD

- Stub nose design for use on soft materials that may get scratched if using a metal tip
- Special design uses significantly less air consumption while producing maximum air outflow at the tip
- Premium Nylon body offers highest resistance to impact & change in temperature
- Corrosion resistant stainless steel nozzle and internal parts for long life
- Trigger springs made from stainless steel, offer higher resistance to corrosion
- Soft rubber grip for convenience in continuous use
- Ergonomic design helps eliminate carpal tunnel syndrome
- Brass threaded air inlet ensures that threads do not shear with repeated use
- Variable speed trigger allows maximum air flow control
- Silent operation with low noise level
- Meets OSHA safety standards
- Premium components and build quality ensure maximum life



### Stainless Steel Nozzle Blow Gun 4 1/2"

409913 / ABG-45SD

- 4-1/2" tip enables you to get into those hard-to-reach places

PROD. NO. MOD. NO.	409910 ABG-2SD	409913 ABG-45SD
Noise Level (dBA) at 100 PSI	77	80
Air Consumption (cfm) at 100 PSI	6.0	5.3
Blowing Force	0.83 lb (0.38 kg)	0.76 lb (0.35 kg)
Operating Pressure (PSI)	50-235	50-235
Operating Temperature	-10° to 70°C (14° to 158°F)	-10° to 70°C (14° to 158°F)