

CHAIN HOISTS



 TM **10 TON**
JET L-90 SERIES CHAIN HOIST
PALAN À CHAÎNE JET SÉRIE L-90
SERIAL No. 22775

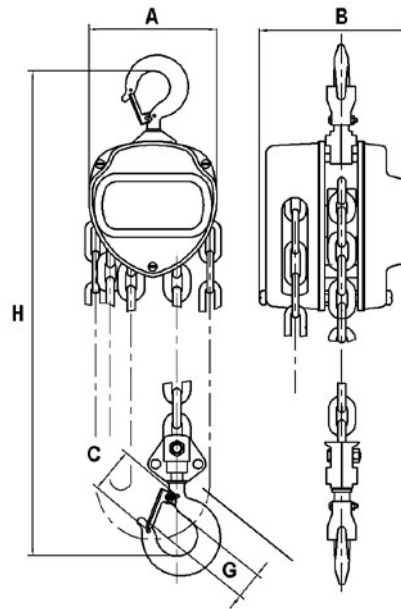


CHAIN HOISTS

VCH Series

- Triple spur geared for efficient operation
- Hardened steel roller bearings support load sheave for easy operation
- Dual pawl Weston style brake for safe reliable operation
- Exclusive premium grade, non-asbestos brake discs for longest life
- Grade 80 load chain
- Top and bottom safety hooks bend slowly to warn of overloads
- Load tested to 150% of rated capacity with certificate
- Meets ASME B30.16 standards
- ISO 9001-2000 certified factory
- **NOTE:** Custom Lifts are available in any length desired

GOOD**



Rated Lifting Capacity (Tons)	A	B	C	G	H
1/2	4-15/16"	4-13/16"	35mm	27mm	11-1/32"
1	5-3/4"	5-1/2"	45mm	33mm	12-1/16"
2	7-1/4"	6-1/4"	52mm	33.5mm	17-1/2"

PROD. NO.	MOD. NO.	Rated Lifting Capacity (Tons)	Rated Lifting Capacity (lb)	Standard Lift
101002	VCH-0510	1/2	1,100	10'
101006	VCH-0520	1/2	1,100	20'
101012	VCH-1010	1	2,200	10'
101016	VCH-1020	1	2,200	20'
101032	VCH-2010	2	4,400	10'
101036	VCH-2020	2	4,400	20'

SAFETY HOOKS

Top and bottom safety hooks bend slowly to warn of overloads. Load tested to 150% of rated capacity with certificate.

Head Room	Number of Falls	Load Chain Diameter	Force Req. to Lift Capacity (lb)	Length of Hand Chain Pulled to Lift Load 1 ft	Shipping Weight lb (kg) *
11-1/32"	1	6.0mm	49	27'	20.3 (9.2)
11-1/32"	1	6.0mm	49	27'	31.5 (14.3)
12-1/16"	1	6.0mm	68	40'	25.1 (11.4)
12-1/16"	1	6.0mm	68	40'	36.2 (16.5)
17-1/2"	1	8.0mm	102	70'	39.5 (18)
17-1/2"	1	8.0mm	102	70'	55.7 (25.3)

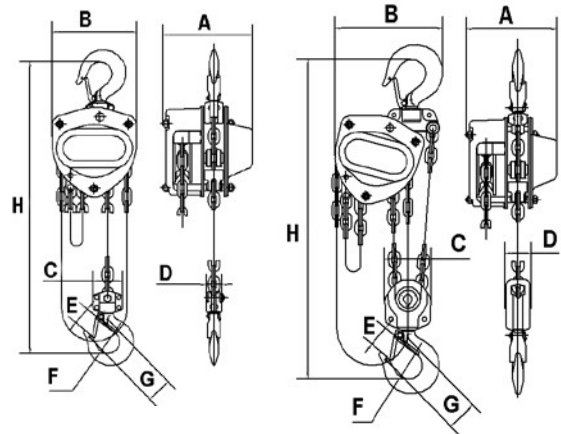
* Shipping weights are approximate



CHAIN HOISTS

KCH Series - Heavy Duty

- Triple spur geared for efficient operation
- Exclusive premium grade, non-asbestos brake discs for longest life
- Grade 100 load chain for greater strength
- Top and bottom safety hooks bend slowly to warn of overloads
- Load tested to 150% of rated capacity with certificate
- Meets ASME B30.16 standards
- ISO 9001-2000 certified factory
- **NOTE: Custom lifts are available in any length desired**



Rated Lifting Capacity (Tons)	A	B	C	D	E	F	G	H
1/2	5-1/8"	5-1/2"	1-5/8"	1"	27mm	32mm	35mm	11-1/4"
1	6-5/16"	6-5/16"	2"	1-1/8"	33mm	40mm	45mm	11-5/8"
2	7-1/4"	8"	2-1/2"	1-3/8"	37mm	46mm	52mm	14-3/4"
3	6-5/8"	9-1/4"	4-1/8"	2-1/16"	43.5mm	52mm	62.5mm	20"
5	7-1/2"	11-1/8"	2-5/8"	2-1/2"	51mm	60mm	78mm	23-5/8"

PROD. NO.	MOD. NO.	Rated Lifting Capacity (Tons)	Rated Lifting Capacity (lb)	Standard Lift	Head Room	Number of Falls	Load Chain Diameter
101102	KCH-0510	1/2	1,100	10'	11-1/4"	1	5.0mm
101106	KCH-0520	1/2	1,100	20'	11-1/4"	1	5.0mm
101112	KCH-1010	1	2,200	10'	11-5/8"	1	6.3mm
101116	KCH-1020	1	2,200	20'	11-5/8"	1	6.3mm
101132	KCH-2010	2	4,400	10'	14-3/4"	1	8.0mm
101136	KCH-2020	2	4,400	20'	14-3/4"	1	8.0mm
101142	KCH-3010	3	6,600	10'	20"	2	7.1mm
101146	KCH-3020	3	6,600	20'	20"	2	7.1mm
101152	KCH-5010	5	11,000	10'	23-5/8"	2	9.0mm
101156	KCH-5020	5	11,000	20'	23-5/8"	2	9.0mm
101162	KCH-10010	10	22,000	10'	29-15/16"	3	10.0mm
101172	KCH-15010	15	33,000	10'	39-3/8"	6	9.0mm



Maintenance free sealed bearings reduce operator effort



Dual pawl Weston style brake with extra heavy pawl springs for safe reliable operation



Extra thick ratchet gear protects brake disc from contamination



Cast safety latches exceed industry standards



Specialized finish on key internal parts for superior corrosion resistance



Force Req. to Lift Capacity (lb)	Length of Hand Chain Pulled to Lift Load 1 ft	Shipping Weight lb (kg) *
51	25'	19.9 (9)
51	25'	29.1 (13)
64	43'	28.8 (13.1)
64	43'	40.7 (18.5)
79	70'	45.2 (20.6)
79	70'	60.6 (27.6)
79	114'	53.7 (24.4)
79	114'	73.6 (33.5)
83	198'	93.6 (42.6)
83	198'	122.2 (55.6)
90	384.6'	172 (78)
82	602.4'	315 (143)

* Shipping weights are approximate

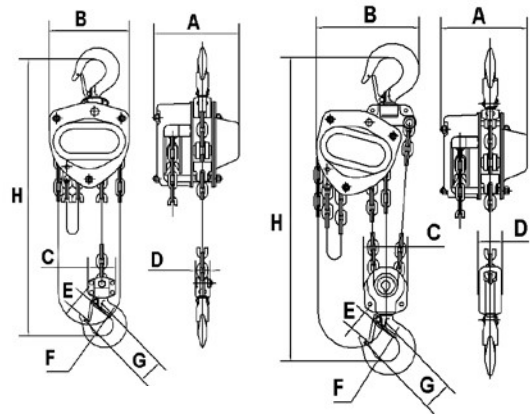


Complete with Overload Protection

KCH SERIES WITH OVERLOAD PROTECTION

KCH Series - Heavy Duty

- KCH Series is equipped with an automatic overload protection device as standard equipment
- Device is factory preset to prevent serious overload of the hoist
- Actuation is automatic, requiring no input from the operator
- Triple Spur geared for efficient operation
- Grade 100 load chain for greater strength
- Exclusive premium grade, non-asbestos brake discs for longest life
- Load tested to 150% of rated capacity with certificate
- Meets ASME B30.16 standards
- ISO 9001-2000 certified factory
- Note: Custom lifts are available in any length desired
- **NOTE: Custom lifts are available in any length desired**



Rated Lifting Capacity (Tons)	A	B	C	D	E	F	G	H
1/2	5-1/8"	5-1/2"	1-5/8"	1"	27mm	32mm	35mm	11-1/4"
1	6-5/16"	6-5/16"	2"	1-1/8"	33mm	40mm	45mm	11-5/8"
2	7-1/4"	8"	2-1/2"	1-3/8"	37mm	46mm	52mm	14-3/4"
3	6-5/8"	9-1/4"	4-1/8"	2-1/16"	43.5mm	52mm	62.5mm	20"
5	7-1/2"	11-1/8"	2-5/8"	2-1/2"	51mm	60mm	78mm	23-5/8"

PROD. NO.	MOD. NO.	Rated Lifting Capacity (Tons)	Rated Lifting Capacity (lb)	Standard Lift	Head Room	Number of Falls	Load Chain Diameter
101302	KCH-0510L	1/2	1,100	10'	11-1/4"	1	5.0mm
101306	KCH-0520L	1/2	1,100	20'	11-1/4"	1	5.0mm
101312	KCH-1010L	1	2,200	10'	11-5/8"	1	6.3mm
101316	KCH-1020L	1	2,200	20'	11-5/8"	1	6.3mm
101332	KCH-2010L	2	4,400	10'	14-3/4"	1	8.0mm
101336	KCH-2020L	2	4,400	20'	14-3/4"	1	8.0mm
101342	KCH-3010L	3	6,600	10'	20"	2	7.1mm
101346	KCH-3020L	3	6,600	20'	20"	2	7.1mm
101352	KCH-5010L	5	11,000	10'	23-5/8"	2	9.0mm
101356	KCH-5020L	5	11,000	20'	23-5/8"	2	9.0mm

NEW

KCH SERIES WITH OVERLOAD PROTECTION



Maintenance free sealed bearings reduce operator effort



Dual pawl Weston style brake with extra heavy pawl springs for safe reliable operation



Extra thick ratchet gear protects brake disc from contamination



Cast safety latches exceed industry standards



Specialized finish on key internal parts for superior corrosion resistance



OLP device for increased operator safety

Force Req. to Lift Capacity (lb)	Length of Hand Chain Pulled to Lift Load 1 ft	Shipping Weight lb (kg) *
51	25'	19.9 (9)
51	25'	29.1 (13)
64	43'	28.8 (13.1)
64	43'	40.7 (18.5)
79	70'	45.2 (20.6)
79	70'	60.6 (27.6)
79	114'	53.7 (24.4)
79	114'	73.6 (33.5)
83	198'	93.6 (42.6)
83	198'	122.2 (55.6)

* Shipping weights are approximate



CHAIN HOISTS



L-90 Series – Super Heavy Duty

- Exclusive grade 105 is the world's strongest load chain
- Provides unparalleled safety for the most demanding applications
- Chrome Molybdenum load gears for maximum strength and resistance to shock
- Load sheave is designed for long wear with uniform pockets for correct chain contact
- Drop forged hooks are designed to bend slowly to warn of overloads
- Rolled edge on hand wheel cover acts as a chain guide and allows smooth operation even when pulling the hand chain at an angle
- Positive ratchet, screw and disc are completely enclosed to protect the brake mechanism
- Non-asbestos wet friction brake discs will not slip even when oil is present
- Electrostatic powder coated before assembly to protect against rust and corrosion
- Capacity unaffected by temperatures up to -40°C with suitable winter lubrication
- Tested to 150% of rated capacity
- Meets OSHA and ANSI B30.16 standards (certificate included)
- Made in Japan

NOTE: Custom lifts are available in any length desired.



PROD. NO.	MOD. NO.	Rated Lifting Capacity (Tons)	Rated Lifting Capacity (lb)	Standard Lift
101202	L90-0502	1/2	1,100	10'
101204	L90-0504	1/2	1,100	15'
101206	L90-0506	1/2	1,100	20'
101212	L90-1002	1	2,200	10'
101214	L90-1004	1	2,200	15'
101216	L90-1006	1	2,200	20'
101222	L90-1502	1-1/2	3,520	10'
101224	L90-1504	1-1/2	3,520	15'
101226	L90-1506	1-1/2	3,520	20'
101232	L90-2002	2	4,400	10'
101234	L90-2004	2	4,400	15'
101236	L90-2006	2	4,400	20'
101252	L90-3002	3	6,820	10'
101254	L90-3004	3	6,820	15'
101256	L90-3006	3	6,820	20'
101262	L90-5002	5	11,000	10'
101264	L90-5004	5	11,000	15'
101266	L90-5006	5	11,000	20'
101283	L90-10003	10	22,000	11-1/2"
101292	L90-15003	15	30,000	11-1/2"

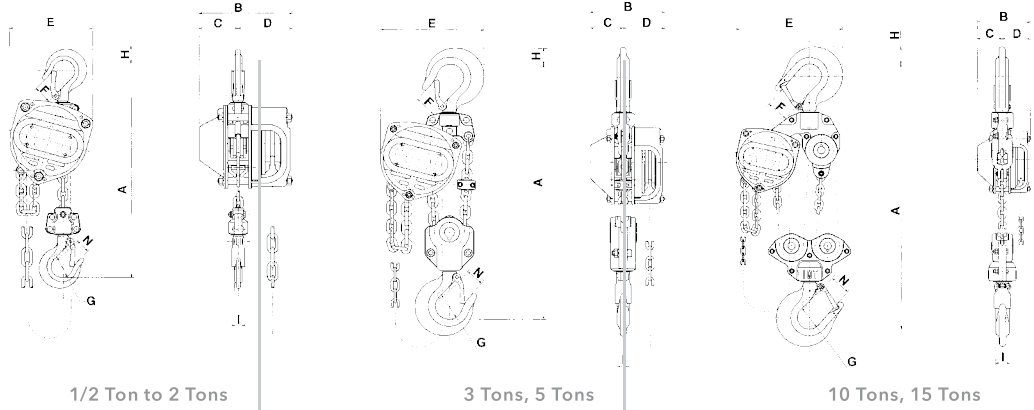
CHAIN HOISTS



Special design ensures that chain pin is protected for safety and longer life

Articulating top hook ensures proper positioning

Top and bottom hooks swivel 360° reducing load spin



Rated Lifting Capacity (Tons)	A	B	C	D	E	F	G	H	I	N
1/2	10-3/4"	6-1/8"	2-9/16"	3-9/16"	5-1/2"	1-1/8"	1-7/16"	21/32"	1/2"	1-1/32"
1	11-3/4"	6-5/16"	2-11/16"	3-5/8"	6-5/16"	1-5/16"	1-11/16"	7/8"	5/8"	1-3/16"
1-1/2	13-1/4"	6-5/8"	2-15/16"	3-11/16"	7-3/16"	1-5/16"	1-11/16"	7/8"	5/8"	1-3/16"
2	14-3/4"	7-3/16"	3-1/4"	3-15/16"	8-7/16"	1-11/16"	2-3/32"	1-1/8"	7/8"	1-1/2"
3	20-7/8"	6-5/8"	2-15/16"	3-11/16"	9-1/16"	1-15/16"	2-3/8"	1-7/16"	1-1/16"	1-3/4"
5	24-1/2"	7-1/2"	3-9/16"	3-15/16"	11-1/16"	2-9/32"	2-3/4"	1-13/16"	1-11/32"	2-1/16"
10	30-1/2"	7-1/2"	3-9/16"	3-15/16"	15-1/8"	2-15/16"	3-3/8"	2-15/16"	1-31/32"	2-3/4"
15	38-7/8"	9-1/4"	3-9/16"	5-11/16"	19-3/8"	3-13/16"	4"	3-7/64"	2-7/16"	3-3/16"

Head Room	Number of Falls	Load Chain Diameter	Force Req. to Lift Capacity (lb)	Length of Hand Chain Pulled to Lift Load 1 ft	Shipping Weight lb (kg) *
10-3/4"	1	5.0mm	59	29'	22.7 (10.3)
10-3/4"	1	5.0mm	59	29'	27.2 (12.4)
10-3/4"	1	5.0mm	59	29'	33.8 (15.4)
11-3/4"	1	6.3mm	69	50'	29.4 (13.4)
11-3/4"	1	6.3mm	69	50'	34 (15.4)
11-3/4"	1	6.3mm	69	50'	40.5 (18.4)
13-1/4"	1	7.1mm	91	60'	36.2 (16.5)
13-1/4"	1	7.1mm	91	60'	42.9 (19.5)
13-1/4"	1	7.1mm	91	60'	49.5 (22.5)
14-3/4"	1	8.0mm	88	77'	49.6 (22.5)
14-3/4"	1	8.0mm	88	77'	56.9 (25.9)
14-3/4"	1	8.0mm	88	77'	63.5 (28.9)
20-7/8"	2	7.1mm	104	120'	58 (26.4)
20-7/8"	2	7.1mm	104	120'	68.8 (31.3)
20-7/8"	2	7.1mm	104	120'	77.6 (35.3)
24-1/2"	2	9.0mm	106	190'	96.7 (43.9)
24-1/2"	2	9.0mm	106	190'	109.9 (49.9)
24-1/2"	2	9.0mm	106	190'	125.3 (56.9)
30-1/2"	4	9.0mm	116	385'	199.2 (90.6)
38-7/8"	6	9.0mm	88	556'	41.4 (18.8)

* Shipping weights are approximate



Articulating top hook ensures proper positioning

Complete with overload protection

STRONGEST
LOAD CHAIN
IN THE WORLD

Special design ensures that chain pin is protected for safety and longer life



CHAIN HOISTS

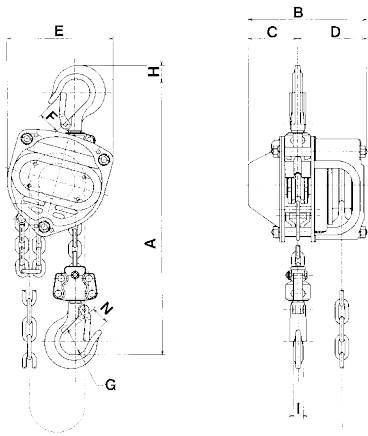
L-95 Series (Overload Protect) – Super Heavy Duty

- Series L-95 is equipped with an automatic overload protection device as standard equipment
- Overload protection is pre-set at 120% of rated capacity
- Exclusive grade 105 is the world's strongest load chain
- Provides unparalleled safety for the most demanding applications
- Chrome Molybdenum load gears for maximum strength and resistance to shock
- Load sheave is designed for long wear with uniform pockets for correct chain contact
- Sealed bearings support load and reduce operator effort
- Drop forged hooks are designed to bend slowly to warn of overloads
- Rolled edge on hand wheel cover acts as a chain guide and allows smooth operation even when pulling the hand chain at an angle
- Dual pawl brake is completely enclosed to protect the brake mechanism
- Non-asbestos wet friction brake discs will not slip even when oil is present
- Electrostatic powder coated before assembly to protect against rust and corrosion
- Tested to 150% of rated capacity
- Meets OSHA and ANSI B30.16 standards (certificate included)
- Made in Japan
- **Note: Custom lifts are available in any length desired**

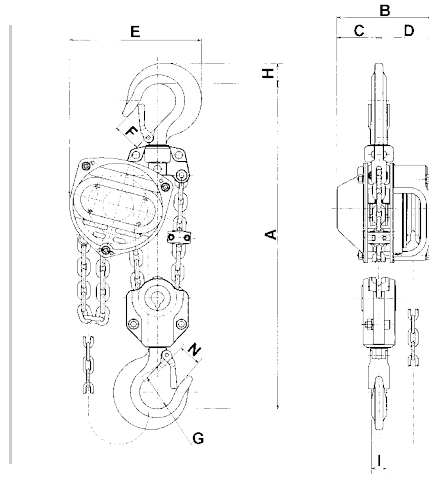


Top and bottom hooks swivel 360° reducing load spin

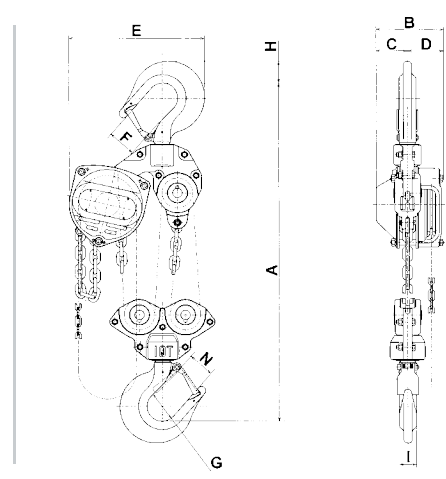
PROD. NO.	MOD. NO.	Rated Lifting Capacity (Tons)	Rated Lifting Capacity (lb)	Standard Lift
101402	L95-0502	1/2	1,100	10'
101406	L95-0506	1/2	1,100	20'
101412	L95-1002	1	2,200	10'
101416	L95-1006	1	2,200	20'
101422	L95-1502	1-1/2	3,520	10'
101426	L95-1506	1-1/2	3,520	20'
101432	L95-2002	2	4,400	10'
101436	L95-2006	2	4,400	20'
101452	L95-3002	3	6,820	10'
101456	L95-3006	3	6,820	20'
101462	L95-5002	5	11,000	10'
101466	L95-5006	5	11,000	20'



1/2 Ton - 2 Tons



3 Tons, 5 Tons



10 Tons, 15 Tons

Rated Lifting Capacity (Tons)	A	B	C	D	E	F	G	H	I	N
1/2	10-3/4"	6-1/8"	2-9/16"	3-9/16"	5-1/2"	1-1/8"	1-7/16"	21/32"	1/2"	1-1/32"
1	11-3/4"	6-5/16"	2-11/16"	3-5/8"	6-5/16"	1-5/16"	1-11/16"	7/8"	5/8"	1-3/16"
1-1/2	13-1/4"	6-5/8"	2-15/16"	3-11/16"	7-3/16"	1-5/16"	1-11/16"	7/8"	5/8"	1-3/16"
2	14-3/4"	7-3/16"	3-1/4"	3-15/16"	8-7/16"	1-11/16"	2-3/32"	1-1/8"	7/8"	1-1/2"
3	20-7/8"	6-5/8"	2-15/16"	3-11/16"	9-1/16"	1-15/16"	2-3/8"	1-7/16"	1-1/16"	1-3/4"
5	24-1/2"	7-1/2"	3-9/16"	3-15/16"	11-1/16"	2-9/32"	2-3/4"	1-13/16"	1-11/32"	2-1/16"
10	30-1/2"	7-1/2"	3-9/16"	3-15/16"	15-1/8"	2-15/16"	3-3/8"	2-15/16"	1-31/32"	2-3/4"
15	38-7/8"	9-1/4"	3-9/16"	5-11/16"	19-3/8"	3-13/16"	4"	3-7/64"	2-7/16"	3-3/16"

Head Room	Number of Falls	Load Chain Diameter	Force Req. to Lift Capacity (lb)	Length of Hand Chain Pulled to Lift Load 1 ft	Shipping Weight lb (kg) *
10-3/4"	1	5.0mm	49	29'	22.6 (10.3)
10-3/4"	1	5.0mm	49	29'	33.7 (15.3)
11-3/4"	1	6.3mm	56	50'	29.3 (13.3)
11-3/4"	1	6.3mm	56	50'	40.4 (18.4)
13-1/4"	1	7.1mm	75	60'	36.2 (16.5)
13-1/4"	1	7.1mm	75	60'	51.6 (23.5)
14-3/4"	1	8.0mm	73	77'	51.9 (23.6)
14-3/4"	1	8.0mm	73	77'	66.2 (30.1)
20-7/8"	2	7.1mm	77	120'	56 (25.2)
20-7/8"	2	7.1mm	77	120'	79.7 (36.2)
24-1/2"	2	9.0mm	77	190'	97 (43.7)
24-1/2"	2	9.0mm	77	190'	128.4 (58.4)

* Shipping weights are approximate