

ELECTRIC HOISTS



SINGLE SPEED HOISTS

FA Series – Heavy Duty

- Available in single phase or three phase models and various voltages (specify when ordering)
- 1/2 ton - 5 ton capacities
- Chain is heat treated, case hardened, low wear chain surpassing ISO Class T
- All models complete with chain collector bucket
- Reliable electro-magnetic DC brake engages automatically when power is cut off
- Two button pendant control automatically returns to OFF mode when either button is released
- 24 volt pendant control for operator safety in damp or humid conditions
- Strain relief cable protects electrical connections
- Top and bottom safety hooks designed to bend slowly to warn of overloads
- Upper and lower limit switches protect hoist from damage if load or chain stop contacts body
- Gear train and electrical components completely sealed for use outdoors (cover recommended)
- Modular construction of motor, gear train, and brake assembly allows for quick and easy maintenance
- Single phase hoists equipped with automatic overload protection preset to 110% of rated capacity
- Three phase hoists feature reverse phase protection
- Meets ASME B30.16, CSA, and OSHA standards
- Made in Japan

Note: Custom lifts are available in any length desired



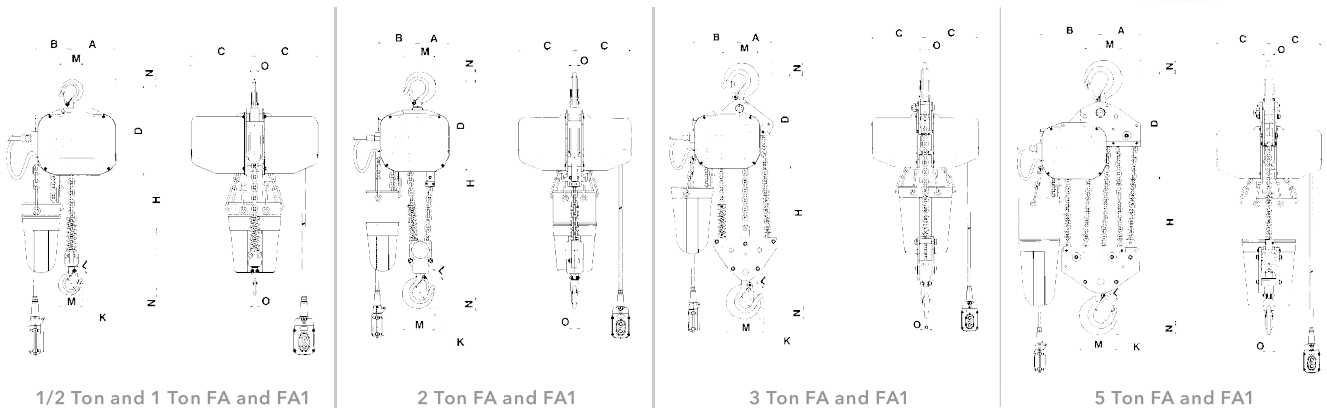
PROD. NO.	MOD. NO.	Rated Lifting Capacity (Tons)	Rated Lifting Capacity (lb)	Standard Lift	Standard Chain Bucket	Hoisting Speed FPM	Voltage	Power Source
107202	FA1-0.5S	1/2	1,100	15'	#2	14	115 / 230V	1PH
107203	FA1-1S	1	2,200	15'	#2	10	115 / 230V	1PH
107204	FA1-2S	2	4,400	15'	#3	5	115 / 230V	1PH
107205	FA1-3S	3	6,600	15'	#4	3.3	115 / 230V	1PH
107206	FA-1-5S	5	11,000	15'	#5	2	115 / 230V	1PH
107212	FA-0.5S	1/2	1,100	15'	#2	28	230 / 460V	3PH
107213	FA-1S	1	2,200	15'	#2	24.2	230 / 460V	3PH
107214	FA-2S	2	4,400	15'	#3	12.1	230 / 460V	3PH
107215	FA-3S	3	6,600	15'	#4	8	230 / 460V	3PH
107216	FA-5S	5	11,000	15'	#5	4.8	230 / 460V	3PH
107262	FA-0.5S	1/2	1,100	15'	#2	28	575V	3PH
107263	FA-1S	1	2,200	15'	#2	24.2	575V	3PH
107264	FA-2S	2	4,400	15'	#3	12.1	575V	3PH
107265	FA-3S	3	6,600	15'	#4	8	575V	3PH
107266	FA-5S	5	11,000	15'	#5	4.8	575V	3PH

Chain Buckets

- Standard lift hoists are equipped with appropriate bucket. For extended lift hoists, multiply the feet of lift desired by the number of falls to obtain total chain length. Choose appropriate bucket from the list below.



PROD. NO.	MOD. NO	Maximum Chain Length 1/2 Ton	Maximum Chain Length 1-5 Ton	Number of Falls
PEL-21-2	#2	30'	20'	1/2 ton + 1 ton - 1
PEL-21-3	#3	50'	40'	2 ton - 2
PEL-21-4	#4	70'	60'	3 ton - 3
PEL-21-5	#5	120'	110'	5 ton - 5
PEL-21-6	#6	-	180'	-



Rated Lifting Capacity (Tons)	A	B	C	D	H	K	L	M	N	O
1/2	6.34"	4.88"	8.82"	12.24"	18.90"	1.42"	1.02"	3.39"	.94"	.75"
1	6.69"	5.04"	9.41"	13.72"	22.44"	1.69"	1.30"	4.21"	1.22"	.91"
2	5.24"	6.50"	9.41"	14.65"	27.95"	2.09"	1.65"	5.67"	1.73"	1.18"
3	5.83"	8.19"	9.41"	16.81"	31.89"	2.36"	1.97"	6.50"	1.93"	1.38"
5	7.20"	10.75"	9.41"	19.21"	35.43"	2.76"	2.36"	7.44"	2.24"	1.65"

Head Room	Motor HP	Duty Rating in Minutes	Power Cable Length	Number of Falls	Amps	Shipping Weight lb (kg) *
18.9"	0.6	25	16'	1	9.6 / 5.3	115.0 (52.30)
22.44"	1.2	25	16'	1	13 / 10.5	154.7 (70.3)
27.95"	1.2	25	16'	2	13 / 10.5	183.6 (83.5)
31.89"	1.2	25	16'	3	13 / 10.5	216 (97.2)
35.43"	1.2	25	16'	5	13 / 10.5	283 (127.4)
18.9"	1.2	30	16'	1	2.9 / 1.7	98 (44.1)
22.44"	2.1	30	16'	1	5.8 / 3.2	138 (62.1)
27.95"	2.1	30	16'	2	5.8 / 3.2	157 (70.7)
31.89"	2.1	30	16'	3	5.8 / 3.2	205 (92.3)
35.43"	2.1	30	16'	5	5.8 / 3.2	278 (125.1)
18.9"	1.2	30	16'	1	1.4	98 (44.1)
22.44"	2.1	30	16'	1	5.8	138 (62.1)
27.95"	2.1	30	16'	2	5.8	157 (70.7)
31.89"	2.1	30	16'	3	2.6	205 (92.3)
35.43"	2.1	30	16'	5	2.6	278 (125.1)

* Shipping weights are approximate