

Optronics®

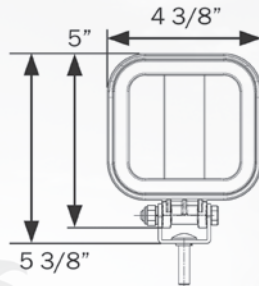
Better Value • Better Options • Better Lighting



Opti-Brite™
LED
WORK LIGHTS

LED LIFETIME
WARRANTY

**TLL70
FLOOD**



4800 RAW | **3360** EFFECTIVE
LUMEN OUTPUT

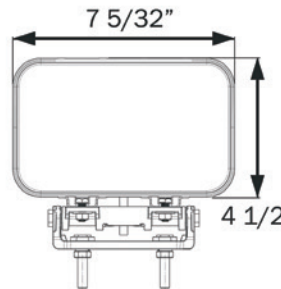
- Contoured lens produces wide angle beam
- Die cast aluminum housing with powder coat finish
- Polycarbonate lens
- Stainless steel mounting hardware
- 14AWG, 10" leads
- IP69K rating



BULK P/N	POLYPACK P/N	DESCRIPTION	VOLTAGE RANGE	DIODES	CASE QTY
TLL70FB	TLL70FBP	Wide angle, flood beam	12-24VDC	6 SMD	1

MATERIALS	Polycarbonate lens, aluminum housing, stainless steel hardware
WT/DIMS	1.41 lbs. / 4.375" W x 5.375" H x 2.625" D
VOLT/AMP	12.8VDC - 2.8A, 24.0VDC - 1.43A
WARRANTY	Lifetime LED Warranty

**TLL56
TLL57
FLOOD**



4000 RAW | **2800** EFFECTIVE
LUMEN OUTPUT

- Die cast aluminum housing and mounting bracket with powder coat finish, polycarbonate lens, stainless steel hardware
- 16AWG, 20" leads
- IP69K rating
- Shock mount model designed for especially harsh applications



shock mount bracket detail

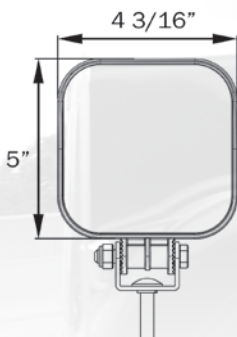


BULK P/N	POLYPACK P/N	DESCRIPTION	VOLTAGE RANGE	DIODES	CASE QTY
TLL56FB	TLL56FBP	Flood beam	12-24VDC	8 SMD	1
TLL57FB	TLL57FBP	Flood beam, shock mount	12-24VDC	8 SMD	1

MATERIALS	Polycarbonate lens, aluminum housing, stainless steel hardware
WT/DIMS	3.53 lbs. / 7.161" W x 6.093" H x 4.313" D
VOLT/AMP	12.8VDC - 3.7A, 24.0VDC - 2.0A
WARRANTY	Lifetime LED Warranty

3200 | **2240**
RAW | **EFFECTIVE**
LUMEN OUTPUT

- Die cast aluminum housing with powder coat finish
- Polycarbonate lens
- Stainless steel mounting hardware
- 14AWG, 10" leads
- IP69K rating



TLL64
FLOOD

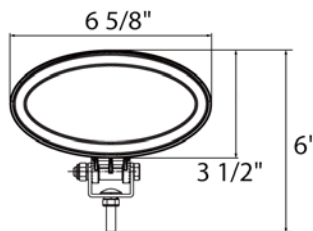


BULK P/N	POLYPACK P/N	DESCRIPTION	VOLTAGE RANGE	DIODES	CASE QTY
TLL64FB	TLL64FBP	Flood beam	12-24VDC	4 SMD	2

MATERIALS	Polycarbonate lens, aluminum housing, stainless steel hardware
WT/DIMS	1.41 lbs. / 4.187" W x 6.5" H x 3" D
VOLT/AMP	12.8VDC - .75A, 24.0VDC - .37A
WARRANTY	Lifetime LED Warranty

2400 | **1680**
RAW | **EFFECTIVE**
LUMEN OUTPUT

- Die cast aluminum housing with powder coat finish
- Polycarbonate lens
- Stainless steel mounting hardware
- Third wire activates glow ring for area light
- 14AWG, 10" leads
- IP69K rating



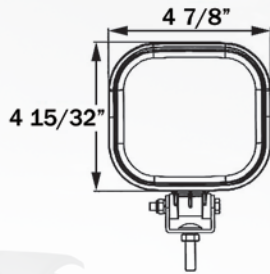
TLL149
FLOOD



BULK P/N	POLYPACK P/N	DESCRIPTION	VOLTAGE RANGE	DIODES	CASE QTY
TLL149FB	TLL149FBP	Flood beam	12-24VDC	10 SMD	1

MATERIALS	Polycarbonate lens, aluminum housing, stainless steel hardware
WT/DIMS	1.32 lbs. / 6.625" W x 6" H x 2.625" D
VOLT/AMP	12.8VDC - 2.05A, 24.0VDC - .97A
WARRANTY	Lifetime LED Warranty

TLL55
FLOOD



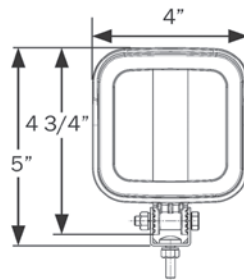
2160 RAW | **1510** EFFECTIVE
LUMEN OUTPUT

- Contoured lens produces wide angle beam
- Die cast aluminum housing with powder coat finish
- Polycarbonate lens
- Stainless steel mounting hardware
- 14AWG, 10" leads
- IP69K rating

BULK P/N	POLYPACK P/N	DESCRIPTION	VOLTAGE RANGE	DIODES	CASE QTY
TLL55FB	TLL55FBP	Flood beam	12-24VDC	9 SMD	1

MATERIALS Polycarbonate lens, aluminum housing, stainless steel hardware
WT/DIMS 1.35 lbs. / 4.87" W x 5.75" H x 2.03" D
VOLT/AMP 12.8VDC - 1.50A, 24.0VDC - .73A
WARRANTY Lifetime LED Warranty

TLL71
FLOOD



2160 RAW | **1492** EFFECTIVE
LUMEN OUTPUT

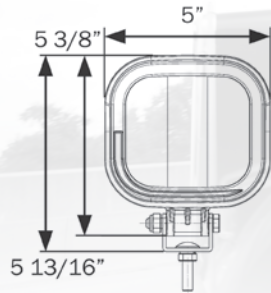
- Contoured lens produces wide angle beam
- Die cast aluminum housing with powder coat finish
- Polycarbonate lens
- Stainless steel mounting hardware
- 14AWG, 10" leads
- IP69K rating

BULK P/N	POLYPACK P/N	DESCRIPTION	VOLTAGE RANGE	DIODES	CASE QTY
TLL71FB	TLL71FBP	Flood beam	12-24VDC	9 SMD	3

MATERIALS Polycarbonate lens, aluminum housing, stainless steel hardware
WT/DIMS 1.41 lbs. / 4" W x 5" H x 2.25" D
VOLT/AMP 12.8VDC - 1.43A, 24.0VDC - 0.66A
WARRANTY Lifetime LED Warranty

2160 RAW | 1492 EFFECTIVE LUMEN OUTPUT

- Contoured lens produces wide angle beam
- Die cast aluminum housing with powder coat finish
- Polycarbonate lens
- Stainless steel mounting bracket and hardware
- 14AWG, 10" leads
- IP69K rating



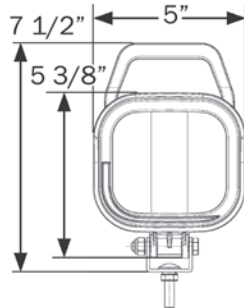
TLL72
FLOOD

BULK P/N	POLYPACK P/N	DESCRIPTION	VOLTAGE RANGE	DIODES	CASE QTY
TLL72FB	TLL72FBP	Flood beam	12-24VDC	9 SMD	3

MATERIALS Polycarbonate lens, aluminum housing, stainless steel hardware
WT/DIMS 1.5 lbs. / 5" W x 5.375" H x 2.25" D
VOLT/AMP 12.8VDC - 1.48A, 24.0VDC - 0.7A
WARRANTY Lifetime LED Warranty

2160 RAW | 1492 EFFECTIVE LUMEN OUTPUT

- Contoured lens produces wide angle beam
- Die cast aluminum housing with powder coat finish
- Polycarbonate lens
- Stainless steel mounting bracket and hardware
- Built in handle and switch
- 14AWG, 10" leads
- IP69K rating



TLL73
FLOOD

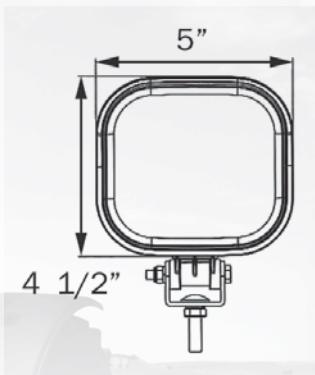
BULK P/N	POLYPACK P/N	DESCRIPTION	VOLTAGE RANGE	DIODES	CASE QTY
TLL73FB	TLL73FBP	Flood beam	12-24VDC	9 SMD	3

MATERIALS Polycarbonate lens and handle, aluminum housing, stainless steel hardware
WT/DIMS 1.61 lbs. / 5" W x 7.5" H x 3.25" D
VOLT/AMP 12.8VDC - 1.48A, 24.0VDC - 0.7A
WARRANTY Lifetime LED Warranty

TLL46
FLOOD
SPOT



***TLL46TB**
707 Effective Lumens



2160 RAW | **1492** EFFECTIVE
LUMEN OUTPUT

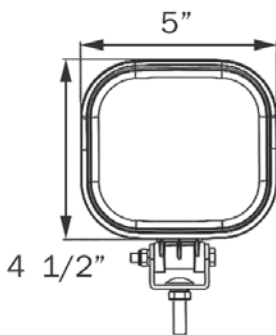
- Die cast aluminum housing with powder coat finish
- Polycarbonate lens
- Stainless steel mounting hardware
- 14AWG, 10" leads
- IP69K rating



BULK P/N	POLYPACK P/N	DESCRIPTION	VOLTAGE RANGE	DIODES	CASE QTY
TLL46CFB	TLL46CFBP	Flood beam	12-24VDC	9 SMD	3
TLL46TB	TLL46TBP	Spot beam, 707 lm	12-24VDC	9 SMD	3

MATERIALS Polycarbonate lens, aluminum housing, stainless steel hardware
WT/DIMS 1.50 lbs. / 5" W x 5.75" H x 2.375" D
VOLT/AMP 12.8VDC - 1.70A, 24.0VDC - 1.0A
WARRANTY Lifetime LED Warranty

TLL54
SPOT



1800 RAW | **900** EFFECTIVE
LUMEN OUTPUT

- Die cast aluminum housing with powder coat finish
- Polycarbonate lens
- Stainless steel mounting hardware
- 14AWG, 10" leads
- IP69K rating



BULK P/N	POLYPACK P/N	DESCRIPTION	VOLTAGE RANGE	DIODES	CASE QTY
TLL54TB	TLL54TBP	Spot beam	12-24VDC	9 SMD	5

MATERIALS Polycarbonate lens, aluminum housing, stainless steel hardware
WT/DIMS 1.51 lbs. / 5" W x 5.75" H x 2.375" D
VOLT/AMP 12.8VDC - 1.50A, 24.0VDC - 0.73A
WARRANTY Lifetime LED Warranty

1600 RAW LUMEN | **897 EFFECTIVE OUTPUT**

- Die cast aluminum housing with powder coat finish
- Polycarbonate lens
- Stainless steel mounting bracket and hardware
- 14AWG, 10" leads
- IP69K rating

BULK P/N	POLYPACK P/N	DESCRIPTION	VOLTAGE RANGE	DIODES	CASE QTY
TLL45FB	TLL45FBP	Flood beam	12-24VDC	8 SMD	3

MATERIALS	Polycarbonate lens, aluminum housing, stainless steel hardware
WT/DIMS	1.39 lbs. / 4.5" W x 5.75" H x 2" D
VOLT/AMP	12.8VDC - 1.38A, 24.0VDC - 0.65A
WARRANTY	Lifetime LED Warranty



TLL45 FLOOD

1200 RAW LUMEN | **720 EFFECTIVE OUTPUT**

- Die cast aluminum housing with powder coat finish
- Polycarbonate lens
- Stainless steel mounting bracket and hardware
- 14AWG, 10" leads
- IP69K rating

BULK P/N	POLYPACK P/N	DESCRIPTION	VOLTAGE RANGE	DIODES	CASE QTY
TLL60FB	TLL60FBP	Flood beam	12-24VDC	6 SMD	5

MATERIALS	Polycarbonate lens, aluminum housing, stainless steel hardware
WT/DIMS	0.95 lbs. / 6" W x 3.25" H x 2.438" D
VOLT/AMP	12.8VDC - 1.1A, 24.0VDC - 0.48A
WARRANTY	Lifetime LED Warranty



TLL60 FLOOD

1200 RAW LUMEN | **720 EFFECTIVE OUTPUT**

- Die cast aluminum housing with powder coat finish
- Polycarbonate lens
- Stainless steel mounting hardware
- 14AWG, 10" leads
- IP69K rating

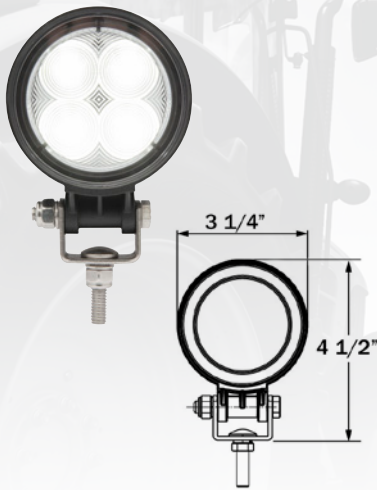
BULK P/N	POLYPACK P/N	DESCRIPTION	VOLTAGE RANGE	DIODES	CASE QTY
TLL44FB	TLL44FBP	Flood beam	12-24VDC	6 SMD	2

MATERIALS	Polycarbonate lens, aluminum housing, stainless steel hardware
WT/DIMS	0.98 lbs. / 4" W x 5.125" H x 2.375" D
VOLT/AMP	12.8VDC - 1.1A, 24.0VDC - 0.48A
WARRANTY	Lifetime LED Warranty



TLL44 FLOOD

TLL30
FLOOD



960 | 670
RAW EFFECTIVE
LUMEN OUTPUT

- Die cast aluminum housing with powder coat finish
- Polycarbonate lens
- Stainless steel mounting hardware
- 16AWG, 20" leads
- IP69K rating

BULK P/N	POLYPACK P/N	DESCRIPTION	VOLTAGE RANGE	DIODES	CASE QTY
TLL30FB	TLL30FBP	Flood beam	12-24VDC	4 SMD	2
MATERIALS		Polycarbonate lens, aluminum housing, stainless steel hardware			
WT/DIMS		1.468 lbs. / 3.27" W x 4.5 H x 2.375" D			
VOLT/AMP		12.8VDC - 0.75A, 24.0VDC - 0.37A			
WARRANTY		Lifetime LED Warranty			

TLL48
FLOOD



1200 | 617
RAW EFFECTIVE
LUMEN OUTPUT

- Die cast aluminum housing with powder coat finish
- Polycarbonate lens
- Stainless steel mounting hardware
- 14AWG, 10" leads
- IP69K rating

BULK P/N	POLYPACK P/N	DESCRIPTION	VOLTAGE RANGE	DIODES	CASE QTY
TLL48FB	TLL48FBP	Flood beam	12-24VDC	6 SMD	5
MATERIALS		Polycarbonate lens, aluminum housing, stainless steel hardware			
WT/DIMS		1.14 lbs. / 4.125" W x 5.281" H x 2.125" D			
VOLT/AMP		12.8VDC - 1.52A, 24.0VDC - 0.65A			
WARRANTY		Lifetime LED Warranty			

TLL51
FLOOD



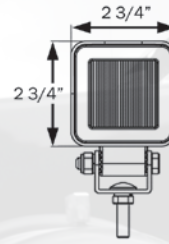
800 | 549
RAW EFFECTIVE
LUMEN OUTPUT

- Die cast aluminum housing with powder coat finish
- Polycarbonate lens
- Stainless steel mounting bracket and hardware
- 14AWG, 10" leads
- IP69K rating

BULK P/N	POLYPACK P/N	DESCRIPTION	VOLTAGE RANGE	DIODES	CASE QTY
TLL51FB	TLL51FBP	Flood beam	12-24VDC	1 SMD	10
MATERIALS		Polycarbonate lens, aluminum housing, stainless steel hardware			
WT/DIMS		0.37 lbs. / 2" W x 3" H x 2.5" D			
VOLT/AMP		12.8VDC - 0.91A, 24.0VDC - 0.42A			
WARRANTY		Lifetime LED Warranty			

600 | 325
RAW | EFFECTIVE
LUMEN OUTPUT

- Die cast aluminum housing with powder coat finish
- Polycarbonate lens
- Stainless steel mounting bracket and hardware
- 14AWG, 10" leads
- IP69K rating



TLL52FB



TLL52FWB

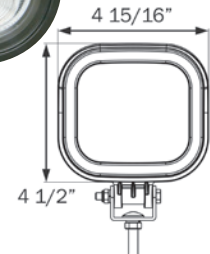
TLL52
FLOOD

BULK P/N	POLYPACK P/N	DESCRIPTION	VOLTAGE RANGE	DIODES	CASE QTY
TLL52FB	TLL52FBP	Flood beam, black housing	12-24VDC	3 SMD	10
TLL52FWB	TLL52FWBP	Flood beam, white housing	12-24VDC	3 SMD	10

MATERIALS	Polycarbonate lens, aluminum housing, stainless steel hardware
WT/DIMS	0.38 lb. / 2.75" W x 4" H x 1.687" D
VOLT/AMP	12.8VDC - 1.5A, 24.0VDC - 0.73A
WARRANTY	Lifetime LED Warranty

324 | 252
RAW | EFFECTIVE
LUMEN OUTPUT

- Corrosion proof polycarbonate lens and housing
- Stainless steel hardware
- 22AWG, 10" leads
- IP69K rating



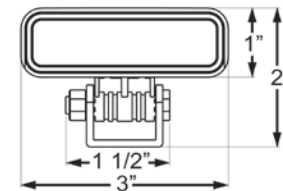
TLL50
FLOOD

BULK P/N	POLYPACK P/N	DESCRIPTION	VOLTAGE RANGE	DIODES	CASE QTY
TLL50FB	TLL50FBP	Flood beam	12-24VDC	9 SMD	3

MATERIALS	Polycarbonate lens, aluminum housing, stainless steel hardware
WT/DIMS	0.96 lbs. / 4.938" W x 5.75" H x 2.375" D
VOLT/AMP	12.8VDC - 1.50A, 24.0VDC - 0.73A
WARRANTY	Lifetime LED Warranty

270 | 150
RAW | EFFECTIVE
LUMEN OUTPUT

- Die cast aluminum housing with powder coat finish
- Polycarbonate lens
- Compact design – only three inches wide by two inches high



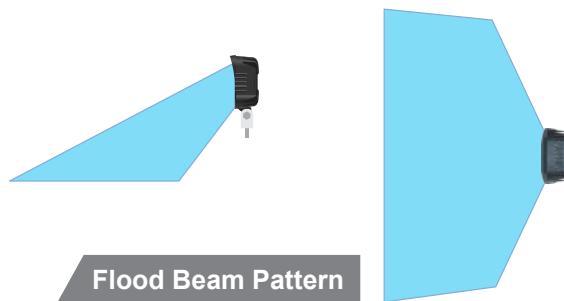
TLL80
FLOOD

BULK P/N	POLYPACK P/N	DESCRIPTION	VOLTAGE RANGE	DIODES	CASE QTY
TLL80FB	TLL80FBP	Flood beam, black housing	12VDC	6 SMD	5
TLL80WFB	TLL80WFBP	Flood beam, white housing	12VDC	6 SMD	5

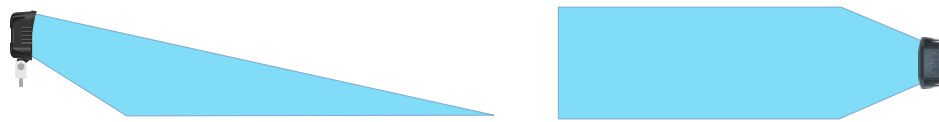
MATERIALS	Polycarbonate lens, aluminum housing, stainless steel hardware
WT/DIMS	0.7 lbs. / 3" W x 2" H x 1.563" D
VOLT/AMP	12.8VDC - 0.19A
WARRANTY	Lifetime LED Warranty

Raw Lumen	4800	4000	3200	2400	2160	2160	2160	2160	2160
Effective Lumen	3360	2800	2240	1680	1510	1492	1492	1492	1492
Bulk P/N	TLL70FB	TLL56FB	TLL64FB	TLL149FB	TLL55FB	TLL46CFB	TLL71FB	TLL72FB	TLL73FB
LEDS	6 SMD	8 SMD	4 SMD	10 SMD	9 SMD	9 SMD	9 SMD	9 SMD	9 SMD
Beam	Flood	Flood	Flood	Flood	Flood	Flood	Flood	Flood	Flood
Lens	Poly-carbonate	Poly-carbonate	Poly-carbonate	Poly-carbonate	Poly-carbonate	Poly-carbonate	Poly-carbonate	Poly-carbonate	Poly-carbonate
Housing	Aluminum	Aluminum	Aluminum	Aluminum	Aluminum	Aluminum	Aluminum	Aluminum	Aluminum
Hardware	Stainless Steel	Stainless Steel	Stainless Steel	Stainless Steel	Stainless Steel	Stainless Steel	Stainless Steel	Stainless Steel	Stainless Steel
Weight	1.41 lbs.	3.53 lbs.	1.41 lbs.	1.32 lbs.	1.35 lbs.	1.50 lbs.	1.41 lbs.	1.5 lbs.	1.61 lbs.
Dims	4.375"W 5.375"H 2.625"D	7.161"W 6.093"H 4.313"D	4.187"W 6.5"H 3.0"D	6.625"W 6"H 2.625"D	4.875"W 5.75"H 2.0"D	5.0"W 5.75"H 2.375"D	4.0"W 5.0"H 2.25"D	5.0"W 5.375"H 2.25"D	5.0"W 7.5"H 3.25"D
IP Rating	IP69K	IP69K	IP69K	IP69K	IP69K	IP69K	IP69K	IP69K	IP69K
Amp Draw 12.8VDC	2.8A	3.7A	.75A	2.05A	1.5A	1.7A	1.43A	1.48A	1.48A
Amp Draw 24VDC	1.43A	2.0A	.37A	.97A	.73A	1.0A	.66A	.7A	.7A

- Wide Angle Beam



Flood Beam Pattern



Spot Beam Pattern

IP69K RATING

Highest designation available for water ingress testing, offering increased reliability and service life when subjected to severe environmental conditions or cleaning methods.

1800	1600	1200	1200	1800	960	1200	800	600	324	270
900	897	720	720	707	670	617	549	325	252	150
TLL54TB	TLL45FB	TLL60FB	TLL44FB	TLL46TB	TLL30FB	TLL48FB	TLL51FB	TLL52FB	TLL50FB	TLL80FB
9 SMD	8 SMD	6 SMD	6 SMD	9 SMD	4 SMD	6 SMD	1 SMD	3 SMD	9 SMD	6 SMD
Spot	Flood	Flood	Flood	Spot	Flood	Flood	Flood	Flood	Flood	Flood
Poly-carbonate	Poly-carbonate	Poly-carbonate	Poly-carbonate	Poly-carbonate	Poly-carbonate	Poly-carbonate	Poly-carbonate	Poly-carbonate	Poly-carbonate	Poly-carbonate
Aluminum	Aluminum	Aluminum	Aluminum	Aluminum	Aluminum	Aluminum	Aluminum	Aluminum	Poly-carbonate	Aluminum
Stainless Steel	Stainless Steel	Stainless Steel	Stainless Steel	Stainless Steel	Stainless Steel	Stainless Steel	Stainless Steel	Stainless Steel	Stainless Steel	Stainless Steel
1.51 lbs.	1.39 lbs.	.95 lbs.	.98 lbs.	1.50 lbs.	1.468 lbs.	1.14 lbs.	.37 lbs.	.38 lbs.	.96 lbs	.7 lbs
5.0"W 5.75"H 2.375"D	4.5"W 5.75"H 2.0"D	6.0"W 3.25"H 2.438"D	4.0"W 5.125"H 2.375"D	5.0"W 5.75"H 2.375"D	3.27"W 4.5"H 2.375"D	4.125"W 5.281"H 2.125"D	2.0"W 3.0"H 2.5"D	2.75"W 4.0"H 1.687"D	4.938"W 5.75"H 2.375"D	3.0"W 2.0"H 1.563"D
IP69K	IP69K	IP69K	IP69K	IP69K	IP69K	IP69K	IP69K	IP69K	IP69K	IP55
1.5A	1.38A	1.1A	1.1A	1.5A	.75A	1.52A	.91A	1.5A	1.5A	.19A
.73A	.65A	.48A	.48A	.73A	.37A	.65A	.42A	.73A	.73A	NA

Lumen Ratings

The **raw lumen** output of a light is calculated by taking the number of LEDs in a light and multiplying that by their maximum output rating. The resulting value does not include real-world factors that can decrease light output by as much as 75 percent.

Effective lumens is an actual measurement of light output that takes into account thermal losses, current used to drive the LEDs, optical losses, and assembly variations. Measuring the effective lumen output of a light requires the use of high-tech photometry equipment.



- Fewer connection points, fewer corrosion points
- Automated manufacturing increases production efficiency
- Thinner, more compact designs fit more applications
- Improved heat distribution increases component life

**BETTER VALUE
BETTER OPTIONS
BETTER LIGHTING**



For more information, scan this
QR code with your mobile device

www.optronicsinc.com

ZH2017WL