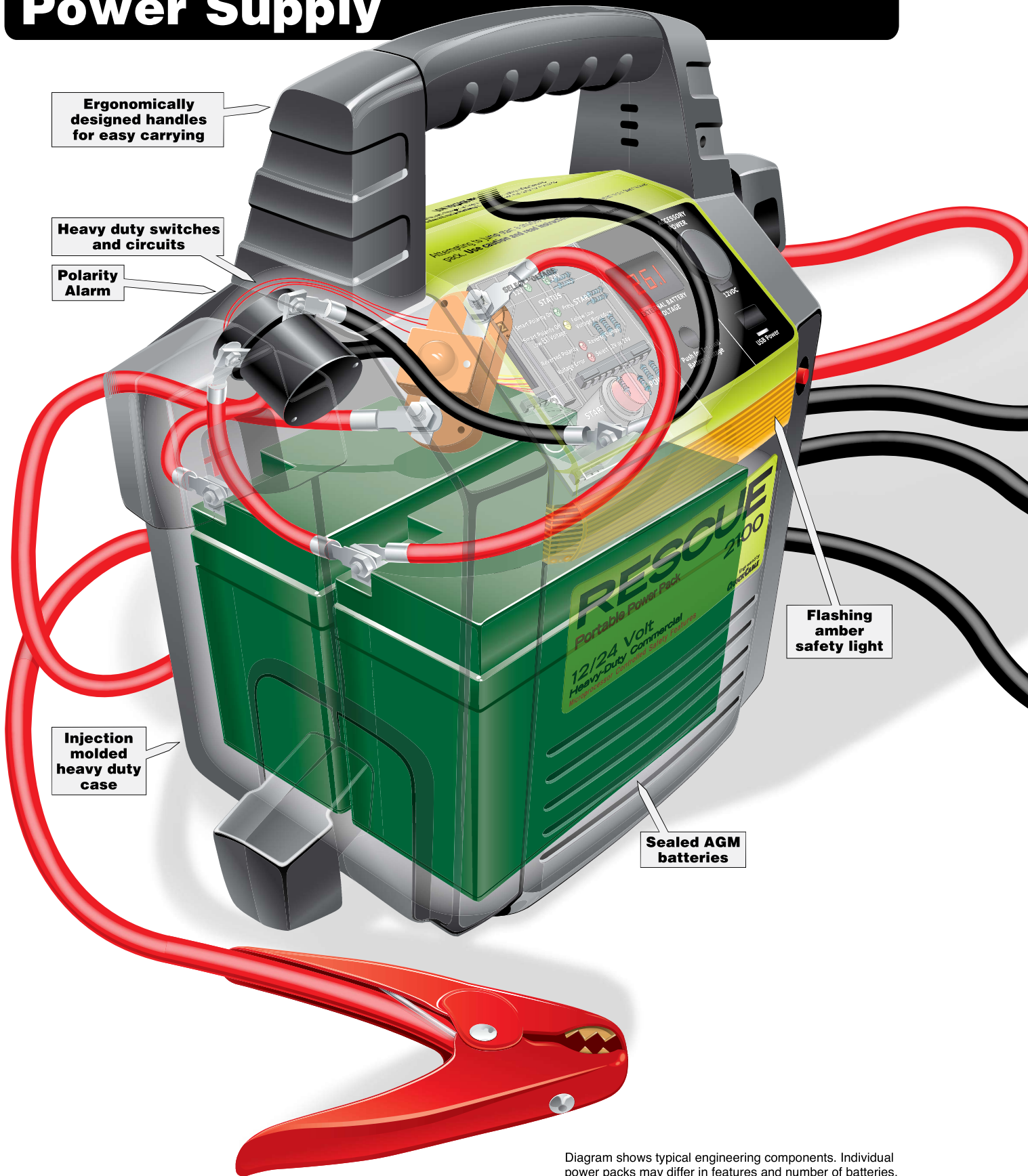




# Starting Power Starts with the Power Supply



Ergonomically designed handles for easy carrying

Heavy duty switches and circuits

Polarity Alarm

Injection molded heavy duty case

Sealed AGM batteries

Flashing amber safety light

Power Packs & Booster Cables

Diagram shows typical engineering components. Individual power packs may differ in features and number of batteries.



Rescue power packs are powered by **sealed AGM batteries** — the same technology you find in the best, most powerful starting batteries on the market. We deliver that power through **premium, all-copper welding cables** that stay flexible in temperatures that will freeze your eyelids shut.

The clamps are copper, too, to maintain power. Some of them have **LED clamp lights** to help you find your way around the battery compartment when it's dark, the rain is pouring or the snow is whipping inside your sleeves.

The power is controlled by **heavy-duty switches** and circuits and to help make sure you connect correctly to the battery you're trying to boost.

If you need more power, pick one of our extreme duty wheeled models, add two of your favorite group 31 truck batteries and start a bulldozer. Specialty models feature **air compressors** and an **inverter**.

The most basic Rescue power pack kicks out **1,000 peak amps**. That's serious power for serious users. The most powerful hand-carried model delivers **4,400 peak amps**. Wheeled models add starting power for the heaviest heavy-duty equipment – bulldozers and trucks.

Whatever kind of power you need, we have it. There's a reason Rescue power packs are on more tow trucks and emergency service vehicles. If you're going to start something, you have to finish the job.



Flexible all copper welding cable, the longest leads in the industry – get to batteries in hard to reach places

High quality copper clamps

Engineered by **QUICKCABLE®**

**Power Packs & Booster Cables**



# RESCUE® EXTREME DUTY Wheeled Models



604120

**Start a  
Bulldozer  
or Semi**



An ideal product for truck yards, fleets and heavy duty applications



The Rescue Brute Power 5020 is easy to roll and ideal for FBO's.



The 6000 has a 350 amp connector for heavy duty equipment



The 5020 has a 175 amp connection for aero cables



Aero Cables



All three models have 10 foot long cables to access hard to reach battery compartments

**Power Packs & Booster Cables**

- **A Wake-Up Call for the Toughest Diesels;  
Rescue® 6000 Brute Power 12/24-Volt**
- **For Trucks, Construction Equipment; Jobsite Ready  
Rescue® 5000 Heavy Duty 12/24-Volt**
- **For Aero Applications and FBO's (Fixed Base Operations)  
Rescue® 5020 Heavy Duty 12/24**



Part No.	Model	Description	Cable Gauge	Cable Length	Clamps	Voltmeter	Auxiliary Connection
604120	6000	Brute power – 12/24 volt	Twinned 1/0 (4/0 equivalent)	10'	800 amp twin lead	Analog	Yes – 350 amp
604115	5020	Aero* application – 12/24 volt	1/0	10**	800 amp	Digital	Yes – 175 amp
604110	5000	Heavy duty – 12/24 volt	1/0	10'	800 amp	Digital	No

- All units feature 100% copper cables
- Roll it anywhere 10" pneumatic tires
- Onboard battery charger - 3 stage, 8 amp

- Recommended batteries: 2 Group 31 Sealed, minimum 900 CCA, 3/8" top stud
- Batteries not included

\*Aero cables 90" (extension available 144", 602560-001); 602563-001 Cessna style coupling cable; 602562-001 12-Volt polarized style coupling cable



**Start Cars & Trucks in Your Parking Lot**



Both models have rigid treaded tires, heavy duty clamps and an ergonomic handle

**NEW  
4000HD &  
4050HD – 2  
BATTERY  
MODELS**

604101 shown



**Perfect for Parking Lots and Garages, Auto Dealers  
Rescue® 4000 and 4050 12-Volt Auto/Light Truck**



- Extra long 2 gauge 100% copper fine stranded, flexible cables 62" long (2/0 on 4000HD and 4050HD)
- 500 amp clamps with strain relief
- Digital voltmeter
- 7 Amp, multi-stage charger – charge internal and external battery
- Reverse polarity alarm with charge light and buzzer
- Two 12-volt DC power outlets
- Recommended battery: Group 24 sealed in Rescue 4000, 2 Group 51 sealed in Rescue 4000HD
- Available with onboard air compressor, 5' air hose and integrated air gauge and inflator – (model 4050, 0.9 CFM @ 60 PSI)
- Battery not included



**NEW!**  
**NEW!**

Part No.	Model	Description	Cable Gauge	Cable Length
604100	4000	Light truck – 12 volt	2	62"
604101	4050	Light truck – 12 volt w/ compressor	2	62"
604105	4000HD	Light truck – 12 volt	2/0	62"
604106	4050HD	Light truck – 12 volt w/ compressor	2/0	62"

**QUICKHOWTO.COM™**

The Rescue 4050 and 4050HD have an onboard air compressor, 5' air hose with integrated air gauge and inflator.



See the series of videos on using RESCUE® Power Packs.

# RESCUE® Heavy-Duty Commercial

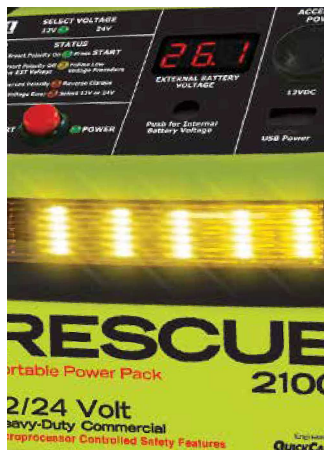
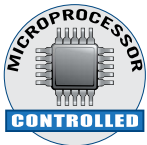
A HAND-CARRIED UNIT  
TOUGH ENOUGH  
FOR TRUCKS  
AND 24-V  
EQUIPMENT

1  
YEAR  
WARRANTY



## Rescue® 2100 Heavy Duty 12/24-Volt Commercial Portable Power Pack

Exclusive



Has flashing safety light



The Rescue 2100 has dual  
12/24 volt capability

Ga.	Length	Battery Capacity	Peak Current	Part No.
2	62"	Dual 22 amp hr.	4400 amp/12V, 2000 amp/24V	604063

- The Rescue® 2100 is a second generation dual voltage portable power pack that uses advanced technology microprocessor controls to offer a level of safety and performance that is unique in the industry
- 12/24V power
- Dual 12V 22AH high output AGM batteries
- 4400 12V peak amps
- 2000 24V peak amps

- Built-in, 1 amp internal charger – CEC compliant
- 2 gauge 62" 100% copper cables
- Digital battery voltage gauge reads internal and external
- 12V power outlet
- Work light and flasher
- Battery charging status
- Professional quality
- Unit will not operate if polarity or voltage is set incorrectly
- USB power outlet

DUAL  
BATTERIES  
FOR ALL DAY  
POWER AND  
RELIABILITY

1  
YEAR  
WARRANTY



## Rescue® 1800 A Workhorse Found in More Roadside Service Vehicles

Gauge	Length	Battery Capacity	Peak Current	Part No.
2	62"	Dual 20 amp hr.	4000 amp	604053

- Professional quality
- 4000 peak amps
- Dual 12V 20AH AGM batteries
- 2 gauge 62" 100% copper cables
- Reverse polarity alarm
- 12V power outlet
- High quality copper clamps are shunted, so power is delivered to both jaws
- LED battery charging status
- Internal battery status gauge
- Work light and flasher
- Built in charger – CEC compliant



## Rescue® 1700 Commercial Portable Power Pack

Gauge	Length	Part No.
2	62"	604074

- Professional quality
- 4000 peak amps
- Dual 18, 20 or 22 AH batteries installed by local retailer
- 2 gauge 62" 100% copper cables
- Reverse polarity alarm
- 12-Volt power outlet
- Power outlet
- LED battery charging status
- Internal battery status gauge
- Work light and flasher

BATTERIES  
INSTALLED  
BY LOCAL  
RETAILER





**BATTERIES  
INSTALLED  
BY LOCAL  
RETAILER**



## Rescue® 3000 Commercial Portable Power Pack

Gauge	Length	Part No.
4	55"	604055

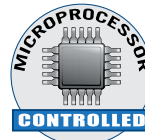
- 4 gauge 55" 100% copper cables
- Requires dealer installed U1 battery
- LED clamp Lights
- Reverse polarity alarm
- 12V power outlet
- LED battery charging status
- Internal battery status gauge
- Work light and flasher
- Built-in charger – CEC compliant
- Professional quality



See the series of videos on using RESCUE® Power Packs.



**Exclusive**



The Rescue 3100 has an external charger



It can accommodate U1 or Powersport batteries.



**BATTERIES  
INSTALLED  
BY LOCAL  
RETAILER**

## Rescue® 3100 Commercial Portable Power Pack

Gauge	Length	Part No.
4	55"	604094

- 4 gauge 55" 100% copper cables
- Advanced microprocessor controlled smart polarity, advanced safety feature, unit will not turn on if clamps are installed incorrectly
- Requires dealer installed U1 or Powersport battery
- LED clamp Lights
- Reverse polarity alarm
- 12V power outlet
- LED battery charging status
- Internal and external digital battery gauge
- Work light and flasher
- Professional quality



# RESCUE® Automotive/Powersports



## Rescue® 1060 The Ultimate Getaway Companion

Gauge	Length	Battery Capacity	Peak Current	Part No.
6	55"	20 amp hr.	2000 amp	604084

- 2000 peak amps
- 12-Volt 20AH AGM battery
- 6 gauge 55" 100% copper cables
- Reverse polarity alarm
- 12V power outlet
- 300W 120V inverter with 2 outlets and 5 volt USB connection
- Work light and flasher
- Air compressor with gauge and adapters – 0.45 CFM @ 120 PSI
- Built-in charger – CEC compliant
- LED battery charging status
- LED clamp lights

**QUICKHOWTO.COM™**



See the series of videos on using RESCUE® Power Packs.

## Rescue® 1000 Starting and Accessory Power Plus a Storage Compartment



Has handy storage compartment.

Gauge	Length	Battery Capacity	Peak Current	Part No.
6	55"	20 amp hr.	1000 amp	604052

- 1000 peak amps
- 12-Volt 20AH AGM battery
- 6 gauge 55" 100% copper cables
- Reverse polarity alarm
- Work light and flasher
- Built-in charger
- LED battery charging status
- LED clamp lights
- Battery status gauge
- Handy storage compartment

# RESCUE® Automotive/Powersports



## Rescue® 950 Starting and Accessory Power Plus Air Compressor

Gauge	Length	Battery Capacity	Peak Current	Part No.
6	27"	18 amp hr.	1000 amp	604051

- 1000 peak amps
- 12V 18AH AGM battery
- 6 gauge 55" 100% copper cables
- Reverse polarity alarm
- 12V power outlet
- Work light and flasher
- Air compressor with gauge and adapters – 0.45 CFM @ 120 PSI
- Built-in charger – CEC compliant
- LED battery charging status
- LED clamp lights
- Battery status gauge

## Rescue® 900 & 910 Reliable Power Delivered Wherever and Whenever You Need It

Model	Gauge	Length	Battery Capacity	Peak Current	Part No.
900	6	27"	18 amp hr.	1000 amp	604050
910	6	27"	N/A	N/A	604083

- 1000 peak amps
- 12V 18AH AGM battery
- 6 gauge 27" 100% copper cables
- Reverse polarity alarm
- 12V power outlet
- Built-in charger – CEC compliant
- LED battery charging status
- 910 requires retailer installed battery; recommended battery size 7-1/16" width x 3" deep x 6-9/16" high



Goes where you go



Starts any vehicle quickly with 27" long reach cables



Fits active powersports lifestyle



Convenient cable storage, 6 gauge 27" 100% copper cable



Easy to use and compact for storage

**Power Packs & Booster Cables**





# iStart® The Ultimate Trunk Accessory



**Lightweight, Powerful, Jumper Cables, 12-Volt DC Plug, Built-In Flashlight and Charger**

**QUICKHOWTO.COM™**



See the video on using the iStart and its benefits.

- Easy to carry and store
- Affordable
- Reverse polarity alarm
- Built-in charger – CEC compliant

Description	Part No.
iStart® power pack	604049



Retail display box.



Easy to store.



12V DC plug for cellphones, and other accessories.



Easy to use



Built-in charger and LED battery status meter



Easy to carry



Built-in flashlight, All controls on front

**Power Packs & Booster Cables**

# iStart® **Li-Ion** Power Pack



**LITHIUM-ION TECHNOLOGY**

- Jump start ATV's, motorcycles, cars or trucks
- Mobile phones and devices – 5V USB power outlet
- 19V powerport for Laptops or notebooks
- 12V power outlet for portable DVD's, cameras or gaming devices
- Bright LED flashlight, strobe light and S.O.S. distress light modules built-in

### Product Features

- Rechargeable through both AC and DC power sources
- Built-in safety protection to prevent overcharging and over discharging
- Turns off when not in use

Description	Part No.
iStart® Li-Ion	604039



Charge mobile phones.



Charge laptops.

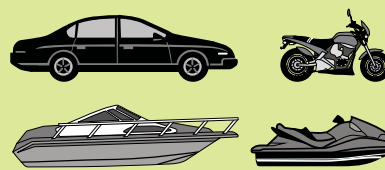


Handy carrying case.



Charge portable heaters & coolers.

### Jump start for



# RESCUE® Booster Clamps & Accessories



## Booster Clamps – Four Styles

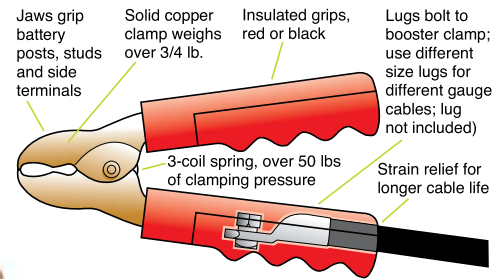
	Clamp Style	Amps	Package	Part No.
1.	Alligator	200	Pair	602045
2.	Mechanic	400	Pair	602050
		500	Pair	602060
3.	Coated Parrot	500	Pair	602065
4.	Parrot	500	Pair	602055



## 900-Amp Solid Copper

- Solid copper 900-amp parrot clamps
- Sold in pairs or singles
- Hardware included
- Also available in bulk

Amps	Clamp Style	Package	Part No.
900	Parrot	Pair	602070
900	Parrot – black	Single	602071
900	Parrot – red	Single	602072



900 amp Parrot (example)

## Charging Clips – Six Styles

	Charging Clip Style	Features	Amps	Part No.
1.	Alligator with banana plug Pack qty. 1 pair	<ul style="list-style-type: none"> <li>■ Also fits 16-14 gauge bullet connector</li> <li>■ Vinyl insulation boots shield exposed metal</li> <li>■ Use to build custom test leads of any length</li> </ul>	5	602005
2.	Non-insulated alligator Pack qty. 1 pair		5	602007
3.	Alligator with vinyl boots Pack qty. 1 pair		5	602010
4.	Charging with vinyl boots Pack qty. 1 pair	<ul style="list-style-type: none"> <li>■ Jaws grasp terminal bolts, etc., to 3/4" wide</li> </ul>	10	602020
5.	Jaw-type charging Pack qty. 1 pair	<ul style="list-style-type: none"> <li>■ Jaws grasp terminal bolts, etc., to 3/4" wide</li> <li>■ 10, 25 and 50-amp</li> </ul>	10	602021
			25	602030
			50	602036
6.	Heavy duty charging Pack qty. 1 pair	<ul style="list-style-type: none"> <li>■ 50 and 75 amp capacity exceeds most on market</li> <li>■ Boots protect crimp ears</li> </ul>	50	602035
			75	602040



## Surge Protectors

- Provides electronic surge protection without disconnecting the battery
- Clip booster clamps across the battery, when the green LED is illuminated, the system is protected from spikes while the vehicle is being worked on
- Designed for heavy duty applications weather-proof and shockproof housing
- Green indicates protection, red no protection

Description	Part No.
12-volt surge protector	602700
24-volt surge protector	602705





# RESCUE® Aero Packs & Cables



## Rescue® 1220 Heavy-Duty 12-Volt Commercial Portable Power Pack

Gauge	Length	Battery Capacity	Peak Current	Part No.
2	62"	Dual 20 amp hr.	4000 amp	604082

- Designed to jumpstart aircraft and ground support vehicles
- Built in worklight and flasher
- Extremely long 62" cables
- Safeguard audible signal and light
- Two heavy duty 20 amp batteries
- Battery status gauge
- DC power source



## Rescue® 2420 Heavy-Duty 24-Volt Commercial Portable Power Pack

Gauge	Length	Battery Capacity	Peak Current	Part No.
2	62"	Dual 20 amp hr.	1800 amp	604081

- Dedicated 24V unit fitted with Cessna connector
- Built in worklight and flasher
- Extremely long 62" cables
- Safeguard audible signal and light
- Two heavy duty 20 amp batteries
- Battery status gauge
- DC power source



Power Packs & Booster Cables

## Aero Connection Kits for Rescue® Models 1220 and 5020

- Designed to jumpstart aircraft and ground support vehicles
- Plug-in cables available with Cessna® or 12-volt polarized style plug-ins
- Model 5020 requires 602570 cable to provide reach for connecting cables 602563 and 602562

Description	Part No.
Plug-to-plug extension, 2 ga. copper, 144" (3.6m)	602560
12-volt polarized style coupling cable, 2 ga. copper, reach 40" (2.29m)	602562
Cessna-style coupling cable, 2 ga. copper, reach 40" (2.29m)	602563
Battery clamp cable, 2 ga. copper, reach 62" (1.57m)	602564
Quick Cable duffle bag	602565



12-volt polarized power plug-ins



Cessna®-style polarized power plug-ins



12-volt polarized power plug-ins



- Quick Cable duffle bag capable of carrying 3 cable sets and a booster pack
- 24" x 12" x 12"
- Made of 600D polyester
- Zipper pocket in front

**QUICKHOWTO.COM™**



See the video on using booster and plug-in cables.

# RESCUE® Booster Cables

CUSTOM LENGTHS AVAILABLE



## All Booster Cables Include:

- Fine-stranded copper conductor for maximum conductivity and flexibility
- Tangleproof construction
- Stays flexible in subzero temperatures

### Automotive

Ga.	Length	Clamp Amps	Clamp Style	Pkg.	Part No.
10	8'	150	Alligator	Sleeve	602100
8	8'	200	Alligator	Sleeve	602110
8	12'	200	Alligator	Sleeve	602120
6	12'	200	Alligator	Sleeve	602140
6	12'	400	Mechanic	Bag	602145
6	16'	400	Mechanic	Bag	602160

- Complete illustrated instructions
- Best for light duty applications
- Retail packaging for automotive sales



Storage box



Retail sleeve

### Medium

Ga.	Length	Clamp Amps	Clamp Style	Pkg.	Part No.
4	12'	400	Mechanic	Bag	602170
4	12'	500	Parrot	Box	602222
4	16'	500	Parrot	Box	602224
4	16'	400	Mechanic	Bag	602203
4	16'	500	Coated parrot	Box	602200
4	20'	400	Mechanic	Bag	602205
4	20'	500	Parrot	Box	602226
4	25'	400	Mechanic	Bag	602220
2	12'	500	Mechanic	Bag	602260
2	16'	500	Mechanic	Bag	602270
2	16'	500	Parrot	Box	602271
2	20'	500	Mechanic	Bag	602280
2	20'	500	Coated parrot	Box	602281
2	20'	500	Parrot	Box	602282



Zippered vinyl weatherproof bag with carry handle

## Heavy Duty

Ga.	Length	Clamp Amps	Clamp Style	Pkg.	Part No.
1	12'	500	Mechanic	Bag	602310
1	16'	500	Mechanic	Bag	602320
1	20'	500	Mechanic	Bag	602330
1	20'	500	Parrot	Box	602332
1	25'	500	Parrot	Pail	602345
1	25'	500	Mechanic	Pail	602340
1	25'	900	Parrot	Pail	602350
1	30'	500	Mechanic	Pail	602360
1/0	20'	900	Parrot	Pail	602370
1/0	25'	900	Parrot	Pail	602380
2/0	20'	900	Parrot	Pail	602390
2/0	25'	900	Parrot	Pail	602400
2/0	30'	900	Parrot	Pail	602410
2/0	40'	900	Parrot	Pail	602420

- Solid copper 900-amp clamps on 1/0 gauge and larger
- Use with heavy duty equipment
- Reusable/weatherproof pail for 1 gauge/25' and larger



Durable, black, weatherproof storage pail with cover

## iStart® Booster Cables

NEW

- Economy cables, copper clad aluminum



Gauge	Length	Part No.
10	8'	602080
8	8'	602085
8	12'	602086

## Plug-Ins



- Fine-stranded copper conductor for maximum conductivity and flexibility
- Parallel bonded cables (except 1/0) resist tangling, remain flexible in cold weather



### Cable 1 Clamp-to-Plug

Gauge	Length	Rating	Part No.
4	15'	400 amp	602580
4	25'	400 amp	602585
2	15'	500 amp	602590
2	25'	500 amp	602600
1/0*	25'	800 amp	602610

### Cable 2 Plug-to-Plug

Gauge	Length	Rating	Part No.
4	12'	175 amp	602550
2	12'	175 amp	602560
1/0*	12'	175 amp	602570

### Cable 3 Plug-to-Lug

Gauge	Length	Rating	Part No.
4	5'	175 amp	602620
2	5'	175 amp	602630
1/0*	5'	175 amp	602640

\*1/0 Not parallel bonded

## Two Ways to Use Plug-In Booster Cables:

Ga.	Clamp Amp	1 Clamp-to-Plug	3 5' Plug-to-Lug	1+3 Combo Kit
4	400	602580 (15')	602620	602500 (20')
4	400	602585 (25')	602620	602510 (30')
2	500	602590 (15')	602630	602520 (20')
2	500	602600 (25')	602630	602530 (30')
1/0	800	602610 (25')	602640	602540 (30')

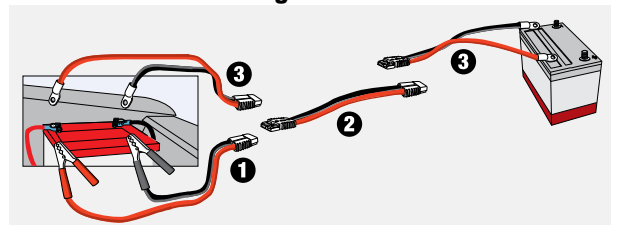
### B. System Using Plugs Only

- Permanently install plug-to-lug cable 3 in service vehicle as well as in every fleet vehicle
- Use plug-to-plug cable 2 as a foolproof, polarity-specific booster cable between service vehicle and fleet vehicle battery
- Advantage: eliminates need to open hood, greatly reducing risk of battery explosion and shields both engine and battery from rain or snow

### A. Two-Part Booster Set

- Permanently install plug-to-lug cable 3 in service vehicle
- Use clamp-to-plug cable 1 to jump dead vehicle battery
- Advantage: Store clamp-to-plug cable 1 in cab of service vehicle to reduce risk of theft, loss or damage

### Parallel bonded for tangle-free service





# RESCUE® Power Pack Accessories

## Rechargeable LED Flashlight/Worklight



Description	Part No.
LED flashlight/worklight	z z mz

- 2 lights in 1
- Bright 6 LED flashlight
- Portable 30 LED worklight
- Powerful magnet for mounting
- 120VAC charger and 12V cigarette-style charger included
- Recharges quickly
- Lightweight, NIMH battery



## ECM/ECU/PCM Memory Saver Cable – OBD II

- Use your Rescue Portable Power Pack to prevent ECM memory loss when the vehicle's battery is disconnected
- In-line fuse
- Easily stored in tool box
- 59" long



Description	Part No.
OBD II with 12-volt male plug	604089

## ECM/ECU/PCM Memory Saver Cable – Pre-OBD II

- Use your Rescue Portable Power Pack to prevent ECM memory loss when the vehicle's battery is disconnected
- In-line fuse
- Easily stored in tool box
- 59" long



Description	Part No.
12-volt DC male-to-male cord	604061

## In-Cab Charging Cord

- Using your vehicle's cigarette lighter, current limiter protects vehicle circuits from overload while fully charging your power pack
- Specially engineered for emergency road service vehicles
- LED indicator shows current is available
- Maintain a full charge on heavily-used Power Packs
- Convenient 10' cord – color-coded for input/output
- Works with all Rescue® Portable Power Packs



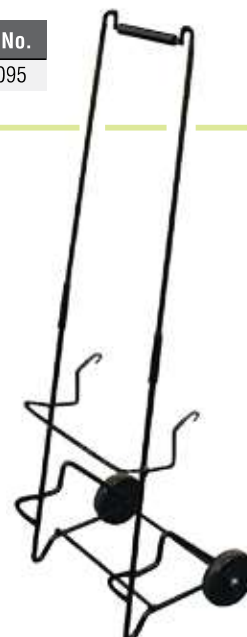
Description	Part No.
In-cab charging cord	604095

## Rescue® Cart

- Cart fits all Rescue models (except 900/910 and iStart)
- Portable power pack snaps into place
- Easy to assemble
- Sturdy and lightweight
- Large 4" rubber wheels



Description	Part No.
Rescue® cart	604090



# The World's Most Extensive Line of Battery Boxes

We make battery boxes for people who use them. Sounds simple. We make them so they're easy to mount, and give you options. We make them so the lids can be secured independently of the mounting system, so you don't have to undo everything just to add some water or check a connection. We make them so they fit right and stand up to temperature extremes – we make battery boxes that work so well you don't have to think about them.



Quick Cable is ISO registered to 9001:2008 standards. We deliver the quality you depend on and we promise.

- Contain and restrain batteries for safety, and to comply with regulations
- Protect cables and connections
- Contain acid leaks to protect your equipment and the environment
- Protect batteries from external damage



## Where to Find Quick® Boxes?

- |                             |                           |                      |                           |                            |
|-----------------------------|---------------------------|----------------------|---------------------------|----------------------------|
| ■ Street rods               | ■ Modified race cars      | ■ Off-road racers    | ■ Emergency power systems | ■ Charter fishing boats    |
| ■ Bass boats                | ■ Semi-tractors           | ■ Railroad crossings | ■ Sprint cars             | ■ Limousines               |
| ■ Residential solar systems | ■ Sailboats               | ■ Farm tractors      | ■ Earth movers            | ■ Desert racers            |
| ■ Pop-up tent trailers      | ■ Fork lifts              | ■ Travel trailers    | ■ Garden tractors         | ■ Solar-powered road signs |
| ■ Tug boats                 | ■ Motorhomes              | ■ Powered canoes     | ■ Wheel chairs            | ■ Ambulances               |
|                             | ■ Off-grid energy systems | ■ Yachts             | ■ Rod & gun clubs         |                            |

## The Engineered Advantages of Quick® Boxes

- More than 30 models to choose from – the widest selection in North America
- Fast reliable delivery – we make them, and we ship them
- Temperature stable in heat and cold
- Chemical and impact resistant
- Multiple mounting options
- Precise battery fit
- Convenient cable routing
- Covers attach independently from mounting system
- Venting to prevent gas build-up

## We Make Battery Boxes in Our Wisconsin Factory. We Can Make Your Custom Boxes There, too.

- Engineering services – we can engineer and make custom boxes designed for your unique applications
- Custom colors, shapes, securing systems, cable ports, sealed or unsealed – whatever you need
- We can modify existing boxes or create entirely new ones for you, depending on your needs
- Ideal for OEMs and custom fabricators



# QUICKBOX™ Auto, Light Truck, Marine & RV



Mounting holes



QuickLock™



QuickLock™ release



Strap in use



U1



24 black



24 white



27



24, 27, 31



Dual 24, 27, 31

Available in Black, White or Custom

## 1 Fits All Batteries

- Fits all traditional battery group sizes
- Fits all new orbital or spiral celled, deep cycle, high performance batteries
- New convenient battery box application guide, see end of section

## 2 New QuickLock™ Cover

- Easy-on and easy-off
- Safe and secure
- Convenient, fast, durable
- QuickLock™ prevents cover loss

## 3 Mounting Holes in Handle

- Use hold-down holes molded in to reinforced handles
- Use J-hooks, L-hooks, threaded rod or lag bolts
- Remove the lid while keeping the box secure

## 4 Tougher Material

- Impact resistant to -30°F (-34°C)
- Heat stable to +200°F (+93°C)
- Meets U.S. Coast Guard Regulations 183.420 & ABYCE-10.7
- Impervious to acid, gasoline, oil and solvents
- Will not rust, UV protected

Battery Group	Inside Dimensions			Outside Dimensions			Part No.
	Length	Width	Height	Length	Width	Height	
U1 black	8" (20.3 CM)	5-1/4" (13.3 CM)	7-15/16" (20.1 CM)	10-3/4" (27.9 CM)	7-1/2" (19.1 CM)	8-1/2" (21.6 CM)	120170
24 black 24 white	10-1/2" (26.7 CM)	7" (17.8 CM)	9-3/4" (24.8 CM)	13-1/2" (34.3 CM)	9-1/4" (23.5 CM)	10-1/4" (26 CM)	120171* 120179*
27 black	12-3/4" (32.4 CM)	7-1/4" (18.4 CM)	10" (25.4 CM)	16-1/8" (40.9 CM)	9-5/8" (24.4 CM)	10-7/8" (27.6 CM)	120172
Adj. 24, 27, 31 blk. Adj. 24, 27, 31 wht.	14-1/2" (36.8 CM)	7-1/4" (18.4 CM)	10-3/8" (26.3 CM)	17-3/4" (45.1 CM)	10-1/4" (26 CM)	10-7/8" (27.6 CM)	120173 120193

Fits All Including Spiral Cell

## Sportsman Style



24



24, 27, 31

Battery Group	Color	Inside Dimensions			Outside Dimensions			Part No.
		Length	Width	Height	Length	Width	Height	
24	Olive Drab	10-1/2" (26.7 CM)	7" (17.8 CM)	9-1/2" (24.1 CM)	13-1/2" (34.3 CM)	9-1/4" (23.5 CM)	10-1/4" (26 CM)	120211
Adjustable 24, 27, 31	Olive Drab	14-1/2" (36.8 CM)	7-1/4" (18.4 CM)	10-3/8" (26.4 CM)	17-3/4" (45.1 CM)	10-1/4" (26 CM)	10-7/8" (27.6 CM)	120213
Heavy duty replacement strap	Black	41" (104 cm) UV resistant polypropylene. Includes footman loops with four screws.						120156



Heavy duty tie down strap kit is included with each box (Part No. 120156)

**QUICKHOWTO.COM™**



See the videos featuring QuickBox™ battery boxes

# QUICKBOX™

## Non-Sealed Aluminum

For custom and show cars, hot rods, and other applications where an aluminum battery box does not have to meet racing specifications for external venting. Fits Group 24-27 batteries. Hardware included.

- Crush-proof protection
- Can be used with a Group 24-27 battery
- Hardware included



Hardware included with non-sealed boxes



24-27 standard aluminum



24-27 black



24-27 white

Group Size	Box Color	Inside Dimensions			Outside Dimensions			Part No.
		Length	Width	Height	Length	Width	Height	
24-27	Brushed aluminum	14-1/8"	8-7/8"	10-3/8"	14-5/16"	9-3/16"	10-5/8"	120320
	Black	(35.9 CM)	(22.6 CM)	(26.4 CM)	(36.4 CM)	(23.3 CM)	(27 CM)	120322
	White							120323

## QUICKBOX™ Sealed Aluminum

These boxes were engineered with racing in mind, featuring an external vent tube to avoid any hydrogen vapor build up that could cause an explosion.



24 polished aluminum



24 brushed aluminum



24 black



24 white



27-31 polished aluminum



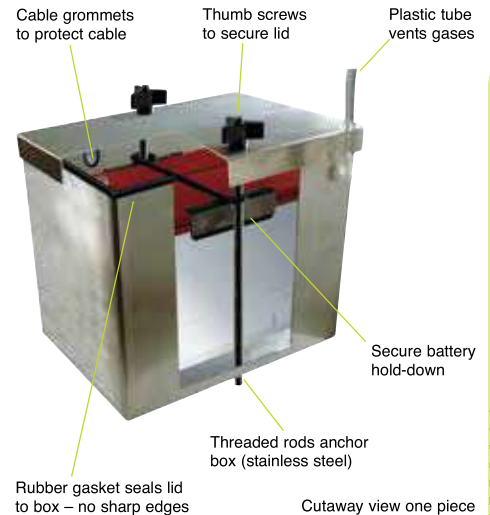
27-31 brushed aluminum



27-31 black



27-31 white



Group Size	Box Color	Length			Width			Part No.
		Length	Width	Height	Length	Width	Height	
24	Polished aluminum	11-3/4"	8-3/8"	10-1/4"	12"	8-5/8"	10-1/2"	120300
	Brushed aluminum	(29.9 CM)	(21.3 CM)	(26.1 CM)	(20.4 CM)	(21.9 CM)	(26.7 CM)	120301
	Black							120302
	White							120303
24-31	Polished aluminum	14"	8-7/8"	10-3/4"	14-1/4"	9-1/8"	11"	120310
	Brushed aluminum	(35.6 CM)	(22.6 CM)	(27.3 CM)	(36.2 CM)	(23.2 CM)	(28 CM)	120311
	Black							120312
	White							120313



Hardware included with sealed boxes

- Meets or exceeds racing specs; NHRA 8:1 and IHRA regulations
- Meets or exceeds boating specs; USCG Code of Federal Regulation 183.420 and ABYC E-10.7
- Optima® and other high performance batteries fit in Group 27-31 box (also Group 24)





# QUICKBOX™ Single and Dual Battery Boxes for 6-Volt, GC2 and 4D Batteries

- Rugged heavy wall polyethylene construction
- Impervious to acid, gasoline, oil and solvents
- Flame retardant
- Cold temperature impact resistant to -30°F (-34°C)
- Heat stable -30° to +200°F (-34° to +93°C)
- Single box holds ONE 6-Volt battery
- Dual box holds TWO 6-Volt batteries
- Depending on your space requirements, use two boxes side-by-side, end-to-end or use a dual box
- Dual box is molded in black or white



Single 6-volt 120174



Dual 6-volt side-by-side, black 120175



Dual 6-volt side-by-side, white 120176



Dual 6-volt end-to-end 120177



Construction



Marine



RV



Battery Boxes & Racks

Typical Group Size	Typical Batteries in Array	Color	Inside Dimensions			Outside Dimensions			Part No.
			Length	Width	Height	Length	Width	Height	
6-Volt/GC2	1	Black	10-3/4" (27.3 CM)	7-1/4" (18.4 CM)	12-1/4" (31.1 CM)	13-1/2" (34.3 CM)	9-1/4" (23.5 CM)	13" (33 CM)	120174
<b>Side-by-Side</b>									
Dual 6-volt/GC2	2	Black	15" (38.1 CM)	11" (27.9 CM)	13" (33 CM)	20" (50.8 CM)	14-1/2" (36.8 CM)	14-1/2" (36.8 CM)	120175
Dual 6-volt/GC2	2	White	15" (38.1 CM)	11" (27.9 CM)	13" (33 CM)	20" (50.8 CM)	14-1/2" (36.8 CM)	14-1/2" (36.8 CM)	120176
<b>End-to-End</b>									
Dual 6-volt single 4D GC2	2	Black	21-5/8" (55 CM)	9-1/2" (24.1 CM)	11-1/2" (29.2 CM)	26-3/4" (68 CM)	14" (35.6 CM)	12-3/4" (32.4 CM)	120177

## Battery Box Vent Kit

- Contains all components needed for venting plastic QuickBoxes



Description	Part No.
Battery box vent kit	120328
<b>Kit Contains:</b>	
Battery box flange 5' length, 2 holes	2 hose clamps Exterior vent cover

**QUICKHOWTO.COM™**

See the video overview of our battery boxes

# QUICKBOX™ Commercial Boxes



- Rugged, durable, heavy wall construction
- Impervious to acid, gasoline, oil and solvents
- Heat stable and cold temperature impact resistant -30°F to +200°F (-34° to +93°C)
- Flame retardant
- 3-4 way cable channels molded into design
- Large entry ports for heavy duty cable
- Cover held firmly with convenient thumb screws, no special tools required
- Cover can be locked for protection and tamper resistance
- Vent holes in cover allow gases to escape,
- Accommodates a variety of mounting options; see page 108 for mounting hardware



4D 120177



8D high 120178



Dual 8D end-to-end 120167



Dual 8D side-by-side 120168

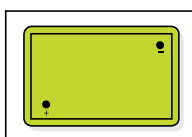


Dual 27, 31 120215

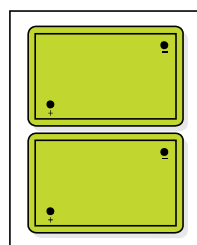


4 x L16, GC2 120166

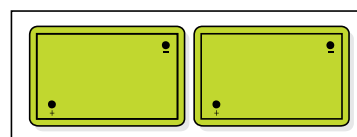
Typical Group Size	Typical Batteries in Array	Color	Inside Dimensions			Outside Dimensions			Mounting Bracket	Part No.
			Length	Width	Height	Length	Width	Height		
4D	1	Black	21-5/8" (55 CM)	9-1/2" (24.1 CM)	11-1/2" (29.2 CM)	26-3/4" (68 CM)	14" (35.6 CM)	12-3/4" (32.4 CM)	-	120177
8D high	1	Black	21-5/8" (55 CM)	11-3/4" (29.8 CM)	13" (33 CM)	26-3/4" (68 CM)	16-1/2" (41.9 CM)	14" (35.6 CM)	-	120178
Dual 8D end-to-end	2	Black	42-1/2" (108 CM)	12" (30.5 CM)	10-3/4" (27.3 CM)	49-1/2" (125.7 CM)	18-1/4" (46.4 CM)	12-1/4" (31.1 CM)	-	120167
Dual 8D side-by-side	2	Black	21-1/2" (54.6 CM)	23-1/2" (59.7 CM)	10-3/4" (27.3 CM)	27" (68.6 CM)	29" (73.7 CM)	12-1/4" (31.1 CM)	-	120168
Dual 27, 31	2	Black	14" (35.6 CM)	15" (38.1 CM)	10-1/4" (26.0 CM)	20" (50.8 CM)	21" (53.3 CM)	12-1/2" (31.7)	120334 (kit)	120215
L16, GC2	4	Black	28-1/2" (72.4 CM)	17" (43.2 CM)	18" (45.7 CM)	36" (91.4 CM)	24" (61 CM)	21" (53.3 CM)	-	120166



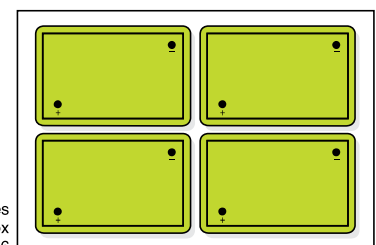
One battery in a box  
120177



Two batteries in a  
box, side by side  
120168



Two batteries in a box, end to end 120167



Four batteries  
in a box  
120166

**Battery Boxes & Racks**

**NEW**



# Battery Trays & Drip Pans

## Quick® Battery Trays are Made to Fit Quick® Battery Racks for a Complete System and to Work in Standalone Applications

- Heavy-gauge material, compare our trays to any others; we use thicker, stronger material to produce a rugged, durable product
- Trays will accommodate other batteries with similar footprints; for example Group 31 is similar to L16
- Two types of battery trays – Group 27 and multiple
- Single battery trays can be used to create unique battery layouts (side-by-side, end-to-end, spaced close together or far apart, etc.), and they can be easily moved or removed depending on your maintenance needs
- Multiple battery trays can hold 2, 3, 4 or more batteries, depending on the width and orientation of the batteries
- Trays can act as an acid containment system, either as a primary containment or redundant to a floor-installed containment system
- Trays electrically isolate batteries from battery racks, as required by the National Electrical Code (NEC)
- Trays are made of HDPE which is impervious to acid, gasoline, oil and solvents
- Trays are UV protected, flame retardant, and are heat stable and cold temperature impact resistant to -30°F to +170° F (-34° to +90° C)



Battery tray for single battery, available in two sizes



Battery tray with three L16/GC2 batteries 120221



Reinforced edges



Battery tray with four L16/GC2 batteries 120220



Reinforced corners



Battery tray with four 8D/4D batteries 120225

## Single Battery Trays

Battery Group	Inside Dimensions			Outside Dimensions			Part No.
	Length	Width	Height	Length	Width	Height	
L16, L16H, U3050, U3050HC	12-3/4" (32.4 CM)	7-1/4" (18.4 CM)	10" (25.4 CM)	16-1/4" (40.9 CM)	9-1/2" (24.4 CM)	10" (25.4 CM)	120189
GC2, GC2H, GC8, U2200, U2300, U2400, U2500, U2500HC	10-1/2" (26.7 CM)	7" (17.8 CM)	9-1/2" (21.4 CM)	13-1/2" (34.3 CM)	9-1/4" (23.5 CM)	9-1/2" (24.1 CM)	120187

## Multiple Battery Trays & Pans

Type	Fits Battery Rack	Inside Dimensions			Outside Dimensions			Typical Battery Layout in Tray	Part No.
		Length	Width	Height	Length	Width	Height		
Tray	990211	30-5/8" (77.8 CM)	14" (35.6 CM)	4-3/4" (12.0 CM)	33" (83.8 CM)	16-3/8" (41.6 CM)	5" (12.7 CM)	Four L16/GC2	120220
Tray	–	24-5/8" (62.6 CM)	14" (35.6 CM)	4-3/4" (12.0 CM)	27-1/4" (69.2 CM)	16-3/4" (42.5 CM)	5" (12.7 CM)	Three L16/GC2	120221
Tray	–	46" (117.0 CM)	21-1/2" (55.0 CM)	4-3/4" (12.0 CM)	49" (124.5 CM)	24-1/4" (61.6 CM)	5" (12.7 CM)	Four 8D/4D	120225
Pan	990211	30-5/8" (77.8 CM)	14" (35.6 CM)	1-1/4" (3.2 CM)	33" (83.8 CM)	16-3/8" (41.6 CM)	1-1/2" (3.8 CM)	Four L16/GC2	120230
Pan	–	24-5/8" (62.6 CM)	14" (35.6 CM)	1-1/4" (3.2 CM)	27-1/4" (69.2 CM)	16-3/4" (42.5 CM)	1-1/2" (3.8 CM)	Three L16/GC2	120231

# QUICKBOX™ Relocation Kits

## Relocate your Battery for Performance, Weight Transfer and Safety

- Relocation kits allow easy access to the battery, letting you locate the battery where it is best for you
- Move battery weight in vehicle for performance and safety
- Multiple kits for different applications
- Kits include listed parts and instruction manual



### Relocation Kit with a Box

Kit No.	
308102	
Battery box	120173
3' 2 gauge black battery cable with top post connector	205501
20' 2 gauge red battery cable with top post connector	205511
Hardware	

### Relocation Kits without a Box

#### Top Post Battery



Component Part	Kit No.		
	308101	308103	308104
3' 2 gauge black battery cable with top post conductor 205501	X	-	X
20' 2 gauge red battery cable with top post conductor 205511	X	-	X
3' 2 gauge black battery cable with top post and flag conductor 205502	-	X	-
20' 2 gauge red battery cable with top post conductor 205512	-	X	-
Battery tray 302123	X	X - 2	-
Universal battery hold-down 302201	X	X - 2	X
"J"-hooks 302108	X	X - 4	X
Braided ground strap 7105	X	-	X
12" x 3/8" threaded rod 302109	X	-	X
Hardware	X	X	X

#### Stud Post Battery



Kit No.	
308105	
3' 1 gauge black battery cable with stud terminal 205503	
20' 1 gauge red battery cable with stud terminal 205513	
Universal battery hold-down 302201	
12" x 3/8" threaded rod 302109	

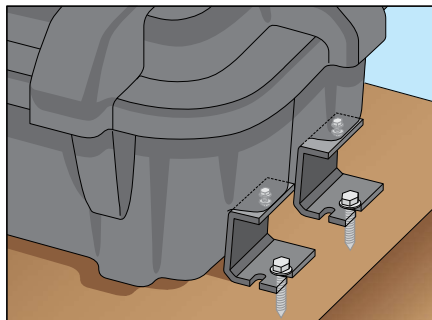


See the video on how to safely relocate a battery



# Hold-Downs for Batteries and Battery Boxes

## Mounting Brackets for Commercial Battery Boxes



Description	Part No.
41" mounting bracket	120333
Four 4" mounting brackets	120334

- Designed to fit QuickBox commercial boxes by mounting to battery box
- Foot slots allow box to be positioned side to side or front to back depending on installation limitations
- Bracket includes hardware to connect to battery box

## Heavy Duty Replacement Strap



Description	Part No.
HD replacement strap, 40"	120156
Extra long HD strap, 54"	120159

- Heavy duty strap 40" long, 1.5" wide (104 x 3.8cm), buckle, mounting brackets and 4 screws
- Made of polypropylene, impervious to battery acid (nylon straps break down in acid)
- Strap is UV-resistant, won't become brittle in sunlight

## Securing Parts – 4D/8D and Dual 6V Boxes



Base mount 302203

Description	Part No.
Lag bolt and washer kit	420178
Bolt, nut and washer kit	420179
Standard base mount	302203



Lag bolts & washers 420178



Bolts and nuts 420179

- Hold-down kits for securing 4D/8D and dual 6-volt boxes to work platform
- Zinc-plated fasteners

## Battery On/Off Switch



Description	Part No.
Battery on/off switch	309101
On/off key with brass pin	309102

- Prevent unauthorized use
- Eliminate battery discharging
- Protective boot/cap prevents corrosion
- Rated 200-amps continuously at 12 volts
- Rated 500-amps at 12 volts for 10 seconds
- 1" hole opening is required to mount switch boss
- Use four #10 machine screws with nuts and washers for mounting
- Uses 3/8" lug for connection



See the videos featuring QuickBox battery boxes

# Battery Hold-Downs and Rods



## QuickHold™ Adjustable Battery Hold-Downs

- Infinitely adjustable and lockable
- Fiberglass reinforced polypropylene is rust and corrosion-proof
- Non-conductive – eliminates hold-down as source of shorts
- Ideal for all applications – car, truck, bus, marine or recreational installations
- Fits existing hardware or select from hold-down bolts and Group 24 or 27 vinyl coated trays on this page

Description	Min./Max. Extension	Part No.
Offset hold-down	4" – 6-1/8"	302101
Offset hold-down	5-1/2" – 9"	302102
Flush hold-down	8-5/8" – 14-3/4"	302103



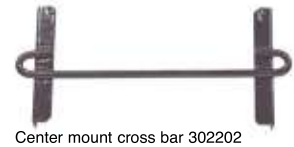
## Cross Bar Hold-Down – 6-7/8"

Description	Part No.
Adjustable cross bar hold-down	302201
Center mount cross bar hold-down	302202



## Hold-Down Bolt Sets – "L" Style

Description	Part No.
8", hold-down bolt set, 1/4"(6mm) – "L" style	302104
10", hold-down bolt set, 1/4"(6mm) – "L" style	302105

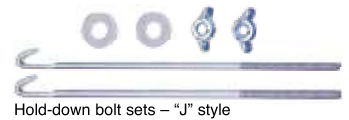
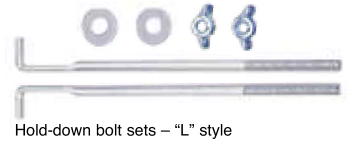


## Hold-Down Bolt Sets – "L" Style and "J" Style

- Long thread accommodates all cross-bar/frame designs including QuickHold products above
- Use with battery trays, see below
- "L" style bend eliminates any need to shift or remove battery
- Sold as pair – hardware included

## Hold-Down Bolt Sets – "J" Style

Description	Part No.
8", hold-down bolt set, 1/4"(6mm) – "J" style	302106
10", hold-down bolt set, 1/4"(6mm) – "J" style	302107
12", hold-down bolt set, 1/4"(6mm) – "J" style	302112



## Hold-Down Rods for Golf Carts

- 302116 Yamaha Electric except G22
  - Replaces Yamaha J14-82133-00-00
  - Replaces Yamaha JN4-H2133-00-00
  - Replaces IMC 253
  - Replaces Forepar BAT2003
  - Replaces Forepar 1-155

Description	Length	Part No.
Yamaha electric except G22	11-9/16"	302116
Yamaha G22 series	10-9/16"	302117
Yamaha G29 gas electric 2007 up	12"	302118
Club car precedent	13-9/16"	302109
Club car, 1981 – 2006 DS	11-1/2"	302126
EZ-Go, 1994 – up	10"	302124
EZ-Go, 2008 – up RXV	13-1/4"	302125



## Base Mounts

- Choose from GM or Ford styles designed to fit most applications
- Vinyl-coated steel resists corrosion, all hardware is included

Description	Part No.
GM base-mount hold-down	302203
Ford base-mount hold-down	302204



## Battery Trays – Poly-Coated and Vinyl-Coated Steel

- Vinyl coated steel resists corrosion and cold climate cracking, ideal for replacing rusted or damaged OEM style trays
- Drain slots prevent fluid accumulation and aligns with mount holes or brackets
- 11" tray is designed for standard Group 24 size batteries, also fits Groups 1, 2, 17, 22, 23, 42, 54, 55, 56, 72, and 74
- 13" tray is designed for standard Group 27 size batteries, also fits Groups 4, 29, 31, 53, 60 and 77
- Polyethylene tray is non-rusting

## Battery Trays – Polyethylene

Description	Part No.
Battery tray, polyethylene – 11"	302120
Battery tray, polyethylene – 13"	302121



## Battery Trays – Vinyl Coated Steel

Description	Part No.
Battery tray, vinyl coated – 11"	302122
Battery tray, vinyl coated – 13"	302123



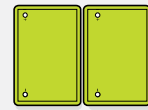


# QUICKBOX™ by Part Number with Dimensions

Battery Group	Part No.	Finish	Material	Inside Dimensions			Outside Dimensions		
				Length	Width	Height	Length	Width	Height
U1	120170	Black	Polypropylene	8" (20.3 cm)	5-1/4" (13.3 cm)	7-15/16" (20.1 cm)	10-3/4" (27.3 cm)	7-1/2" (19.0 cm)	8-1/2" (21.6 cm)
24	120171	Black	Polypropylene	10-1/2" (26.7 cm)	7" (17.8 cm)	9-3/4" (24.8 cm)	13-1/2" (34.3 cm)	9-1/4" (23.5 cm)	10-1/4" (26.0 cm)
24	120211	Drab green	Polypropylene	10-1/2" (26.7 cm)	7" (17.8 cm)	9-3/4" (24.8 cm)	13-1/2" (34.3 cm)	9-1/4" (23.5 cm)	10-1/4" (26.0 cm)
24	120179	White	Polypropylene	10-1/2" (26.7 cm)	7" (17.8 cm)	9-3/4" (24.8 cm)	13-1/2" (34.3 cm)	9-1/4" (23.5 cm)	10-1/4" (26.0 cm)
27	120172	Black	Polypropylene	12-3/4" (32.4 cm)	7-1/4" (18.4 cm)	10" (25.4 cm)	16-1/8" (40.9 cm)	9-5/8" (24.4 cm)	10-7/8" (27.6 cm)
Dual 27-31	120215	Black	Polyethylene	14" (35.6 cm)	15" (38.1 cm)	10-1/4" (26.1 cm)	20" (50.8 cm)	21" (53.3 cm)	12-1/2" (31.7 cm)
24, 27, 31 adjustable	120173	Black	Polypropylene	14-1/2" (36.8 cm)	7-1/4" (18.4 cm)	10-3/8" (26.4 cm)	17-3/4" (45.1 cm)	10-1/4" (26.0 cm)	10-7/8" (27.6 cm)
24, 27, 31 adjustable	120213	Drab green	Polypropylene	14-1/2" (36.8 cm)	7-1/4" (18.4 cm)	10-3/8" (26.4 cm)	17-3/4" (45.1 cm)	10-1/4" (26.0 cm)	10-7/8" (27.6 cm)
24, 27, 31 adjustable	120193	White	Polypropylene	14-1/2" (36.8 cm)	7-1/4" (18.4 cm)	10-3/8" (26.4 cm)	17-3/4" (45.1 cm)	10-1/4" (26.0 cm)	10-7/8" (27.6 cm)
6-volt/GC2	120174	Black	Polypropylene	10-3/4" (27.3 cm)	7-1/4" (18.4 cm)	12-1/4" (31.1 cm)	13-1/2" (34.3 cm)	9-1/4" (23.5 cm)	13" (33.0 cm)
Dual 6-volt/GC2	120175	Black	Polyethylene	15" (38.1 cm)	11" (27.9 cm)	13" (33.0 cm)	20" (50.8 cm)	14-1/2" (36.8 cm)	14-1/2" (36.8 cm)
Dual 6-volt/GC2	120176	White	Polyethylene	15" (38.1 cm)	11" (27.9 cm)	13" (33.0 cm)	20" (50.8 cm)	14-1/2" (36.8 cm)	14-1/2" (36.8 cm)
Dual 6-volt/GC2	120177	Black	Polyethylene	21-5/8" (55 cm)	9-1/2" (24.1 cm)	11-1/2" (29.2 cm)	26-3/4" (68 cm)	14" (35.6 cm)	12-3/4" (32.4 cm)
4D	120177	Black	Polyethylene	21-5/8" (55 cm)	9-1/2" (24.1 cm)	11-1/2" (29.2 cm)	26-3/4" (68 cm)	14" (35.6 cm)	12-3/4" (32.4 cm)
8D high	120178	Black	Polyethylene	21-5/8" (55 cm)	11-3/4" (29.8 cm)	13" (33.0 cm)	26-3/4" (68.0 cm)	16-1/2" (41.9 cm)	14" (35.6 cm)
L16 x 4 batteries	120166	Black	Polyethylene	28-1/2" (72.4 cm)	17" (43.2 cm)	18" (45.7 cm)	36" (91.4 cm)	24" (61.0 cm)	21" (53.3 cm)
Dual 8D e/e	120167	Black	Polyethylene	42-1/2" (108 cm)	12" (30.5 cm)	10-3/4" (27.3 cm)	49-1/2" (125.7 cm)	18-1/4" (46.4 cm)	12-1/4" (31.1 cm)
Dual 8D s/s	120168	Black	Polyethylene	21-1/2" (54.6 cm)	23-1/2" (59.7 cm)	10-3/4" (27.3 cm)	27" (68.6 cm)	29" (73.7 cm)	12-1/4" (31.1 cm)
24	120300	Polished	Aluminum	11-3/4" (29.9 cm)	8-3/8" (21.3 cm)	10-1/4" (26.1 cm)	12" (30.4 cm)	8-5/8" (21.9 cm)	10-1/2" (26.7 cm)
24	120301	Brushed	Aluminum	11-3/4" (29.9 cm)	8-3/8" (21.3 cm)	10-1/4" (26.1 cm)	12" (30.4 cm)	8-5/8" (21.9 cm)	10-1/2" (26.7 cm)
24	120302	Black	Aluminum	11-3/4" (29.9 cm)	8-3/8" (21.3 cm)	10-1/4" (26.1 cm)	12" (30.4 cm)	8-5/8" (21.9 cm)	10-1/2" (26.7 cm)
24	120303	White	Aluminum	11-3/4" (29.9 cm)	8-3/8" (21.3 cm)	10-1/4" (26.1 cm)	12" (30.4 cm)	8-5/8" (21.9 cm)	10-1/2" (26.7 cm)
27-31	120310	Polished	Aluminum	14" (35.6 cm)	8-7/8" (22.6 cm)	10-3/4" (27.3 cm)	14-1/4" (36.2 cm)	9-1/8" (23.2 cm)	11" (28.0 cm)
27-31	120311	Brushed	Aluminum	14" (35.6 cm)	8-7/8" (22.6 cm)	10-3/4" (27.3 cm)	14-1/4" (36.2 cm)	9-1/8" (23.2 cm)	11" (28.0 cm)
27-31	120312	Black	Aluminum	14" (35.6 cm)	8-7/8" (22.6 cm)	10-3/4" (27.3 cm)	14-1/4" (36.2 cm)	9-1/8" (23.2 cm)	11" (28.0 cm)
27-31	120313	White	Aluminum	14" (35.6 cm)	8-7/8" (22.6 cm)	10-3/4" (27.3 cm)	14-1/4" (36.2 cm)	9-1/8" (23.2 cm)	11" (28.0 cm)
24-27	120320	Polished	Aluminum	14-1/8" (35.9 cm)	8-7/8" (22.6 cm)	10-3/8" (26.4 cm)	14-5/16" (36.4 cm)	9-3/16" (23.3 cm)	10-5/8" (27.0 cm)
24-27	120322	Black	Aluminum	14-1/8" (35.9 cm)	8-7/8" (22.6 cm)	10-3/8" (26.4 cm)	14-5/16" (36.4 cm)	9-3/16" (23.3 cm)	10-5/8" (27.0 cm)
24-27	120323	White	Aluminum	14-1/8" (35.9 cm)	8-7/8" (22.6 cm)	10-3/8" (26.4 cm)	14-5/16" (36.4 cm)	9-3/16" (23.3 cm)	10-5/8" (27.0 cm)



120166



Side-by-side

120167  
End-to-end

Single

# Battery Rack

## for Uninterruptible Power Supply, Switchgear, Telecommunications and Utility Battery Applications

- Designed for popular batteries used in stored electrical energy such as L16, GC2, T105, Group 27, Group 31 and equivalent
- Sturdy steel construction, polyurethane powder-coated to reduce rust and corrosion
- Modular design allows for back-to-back or side-to-side expansion

### Seismic Kit

- Accommodates various battery sizes
- Designed to retain batteries in rack during seismic event

Description	Part No.
Seismic kit	990221



Rack Part No.	Description	Battery Group	Batteries/ Shelf	Inside Dimensions (Space for Batteries)			Outside Dimensions (Footprint)			Shipping Weight	Containment System Kit
				Length	Width	Height	Length	Width	Height		
990211	Two fixed shelves	L16, GC2, T105, Group 22, 24, 27, 31	8/rack 4/shelf	14" (36 CM)	36" (92 CM)	19-1/4" (49 CM)	17-1/2" (43.7 CM)	38-1/2" (97.8 CM)	47-3/4" (121.4 CM)	70 lbs. (31.8 kg.)	217210

Six battery rack also available. Contact Quick Cable customer service for more information.

\*Add 14" (35.6 cm) when lower tier is extended.

## Complete Cable Kits

- Designed for deep-cycle batteries used in stored electrical energy such as L16, GC2, T105, Group 27, Group 31 and equivalent
- UL listed connectors
- UL cable suitable for use in battery interconnections per NEC article 690.74
- 600 volts UL-type SC per NEC table 400-5 (B)

### Cable Kits – without Disconnects

Gauge	Battery Group	8-Battery System
2/0	L16	990172
2/0	GC2	990173
4/0	L16	990176
4/0	GC2	990177
<b>Kit Contains</b>		
Six short jumpers between batteries, one long jumper from upper to lower shelf		

### Cable Kits – with Disconnects

Gauge	Battery Group	8-Battery System
2/0	L16	990170
2/0	GC2	990171
4/0	L16	990174
4/0	GC2	990175
<b>Kit Contains</b>		
Six short jumpers between batteries, one long jumper from upper to lower shelf		
<b>The Disconnect Assembly in Each Kit Contains:</b>		
Two 350 Amp SB housings, one SB mounting bracket, one SB latching handle and two cables from the batteries to the disconnect		

## Battery Rack Enclosure

- Simple access to upper and lower shelf of rack for maintenance of batteries
- Reduces chance of injury or damage due to incidental contact with electrical connections
- Non-conductive lockable enclosure made of durable corrosion-resistant plastic for longevity and easy cleaning
- Requires customer supplied vent per local codes



Description	Part No.
Enclosure for rack no. 990211 (two fixed shelves, eight/rack)	990190



See the video on using the battery rack and enclosure





# RESCUE® Battery Acid Containment System

- Fast quotations, technical assistance
- Fast, reliable delivery
- Hundreds of installations – tested, trusted, proven



- Complete turnkey kits include rails, pre-made corners, liner, liner clips, pillows and socks appropriate for your installation, masonry drill, fasteners, silicone caulk and leak detecting spray with color indicator (for specifications, see components listing)
- Two rail systems available – PVC or stainless steel, depending on your specifications and code requirements
- Designed for UPS, switchgear, telecommunication, and utility battery cabinets and relay racks
- Ideal for wet lead-acid batteries, VRLA batteries, battery cabinets and relay racks
- Complies with Uniform Fire Code (UFC) article 64, section 104.d and 104.e, OSHA and EPA regulations
- Illustrated instructions included with each kit; instructional video available online 24/7 at quickhowto.com
- Components available separately
- Available as private label

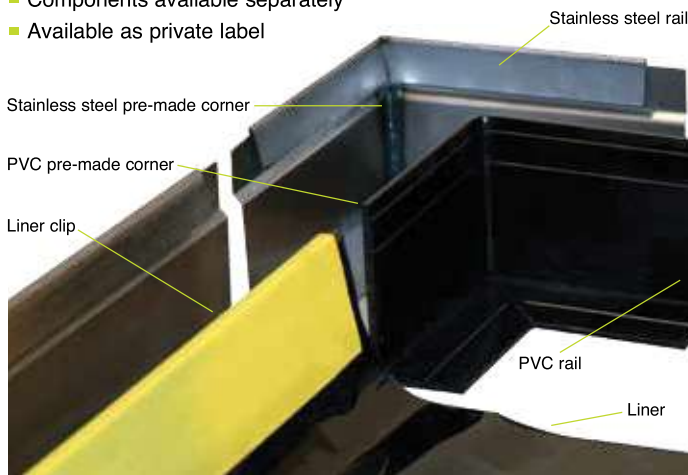
## PVC Rails and Corners

- Made of black flame retardant PVC
- Rails are 4" high, 2" wide and 60" long (10 x 5 x 152 cm)
- Corners are pre-made 6" long with 4" sides (15 x 10 cm)
- Floor rail is grooved for easy start of fasteners
- Rails have recess, so clips snap into place securing liner

## Stainless Steel Rails and Corners

- Interlocking rails and corners
- Made from 20 gauge stainless steel
- Rails are 4" high x 2" wide x 46" long (10 x 5 x 116 cm), custom lengths available
- Rails formed so clips snap into place to secure liner
- Rails are pre-drilled for easy installation
- Corners are pre-made 5" (12 cm) long

Acid Containment



## Liner Clip

- Made of safety yellow PVC
- Clip snaps into place on PVC or stainless steel rails
- Clips hold liner in place

## PVC Liner

- Black 12 mil PVC, acid-proof
- Flammability rating of VTM-O, oxygen index of 28+
- Two sizes 48" (122 cm) and 60" (152 cm) wide, sold by the linear foot

## Containment System for Quick Cable® Battery Rack

- Battery rack is on page 113

Length		Width		PVC System Kit	Stainless Steel System Kit	Fits Battery Rack
Inches	Cent.	Inches	Cent.			
44	112	24	61	217210	217230	990211

Description	Part No.
PVC corner	217101
PVC rail 60" (152 cm) long	217102
Stainless steel corner	217191
Stainless steel rail 46" (116 cm) long	217192
PVC liner clip 60" (152 cm) long for all rails	217110
PVC liner 48" (122 cm) wide	217120
PVC liner 60" (152 cm) wide	217121
Silicone caulk 10.1 fl. oz. (300 ml.)	217160
Adhesive 12 oz. (340 Gr.) can	217165
Epoxy floor primer 1 gallon (3.78 liter)	217181
Acid proof epoxy floor paint 1 gal. (3.78 liter)	217180

# Acid Absorbent Pillows & Socks



Description	Part No.
Absorbent pillow, 12" x 12" (30 x 30 cm)	217130
Absorbent sock, 3" x 48" (7.5 x 120 cm)	217135

## Pillows and Socks

- Pillows and socks are made from heavy duty, white polypropylene fabric
- The fabric absorbs acid quickly, reducing uncontrolled run-off; at the same time, it is dense with minimal dusting
- Tested against the federal standard FMVSS 302, 49 CFR Ch V (10-1-03 Edition, page 761), the fabric is self-extinguishing

- The acid indicator in pillows and socks will "show" pink or red indicating the presence of battery acid
- A label sewn on each pillow and sock lists cautionary and performance information, as well as part number and date of manufacture
- Use with containment system or separately for reliable acid capture and neutralization
- Ideal to use as dam to contain acid spill or surround a leaking battery
- Each sock or pillow absorbs and neutralizes a minimum of 4 quarts (3.8 liters) of battery acid

- A granular absorbent material quickly absorbs and neutralizes a minimum of 4 quarts (3.8 liters) of battery acid (sulfuric acid, also known as battery electrolyte)
- Safe and non-hazardous
- Material Safety Data Sheet (MSDS) available online at [quickcable.com](http://quickcable.com) or by contacting company



## Floor Primer and Epoxy Paint

- Use primer to seal concrete floor prior to application of epoxy paint
- Light gray color
- Primer – 1 Gallon (3.78 liters) covers 200-320 sq. ft. (19-30 sq. m.)
- Epoxy floor coating is durable, acid-proof, and chemical-resistant
- Can be used in conjunction with containment system or highly effective to protect any floor from acid corrosion
- Primer – 1 Gallon (3.78 liters) covers 100 sq. ft. (9.3 sq. m.)



## Silicone Caulk

- Use to seal rails, corners, seams and fasteners
- Conforms to ASTM spec C920, class 25, grade NS
- Clear color, minimal shrinkage, 50-year life



## Spray Adhesive

- Use spray adhesive with PVC liner to retrofit liner or to repair tears, abrasion, etc.
- 12 oz (340 grams) aerosol can

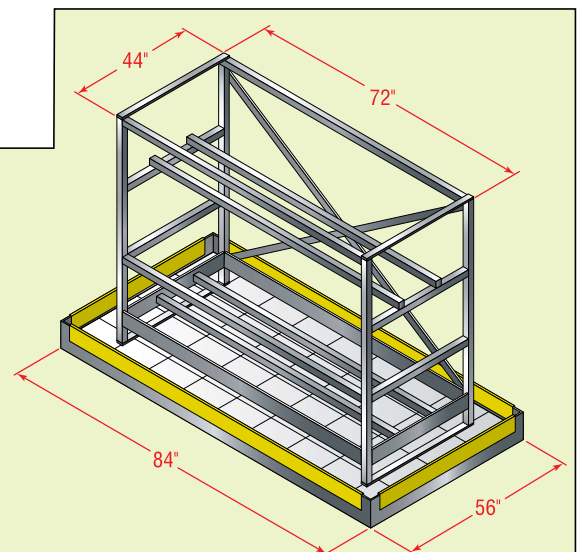


## Configure Your Containment System Online

[www.quickfigurator.com/containment](http://www.quickfigurator.com/containment)

Enter the dimensions of your stationary battery rack and you'll automatically get a bill of materials, specifications and pricing. Available to registered users only.

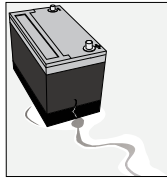
**QuickFigurator is available at no charge to registered users at [quickcable.com](http://quickcable.com)**





# RESCUE® Battery Acid Spill Kits

- Five kits: 1/2 -gallon, 2-gallon, 6-gallon, 15-gallon and 25-gallon
- Kits come with acid absorber and neutralizer as well as safety wear, brush, pan, disposal bags and MSDS sheets
- Purple to yellow color change shows when acid is neutralized and safe
- Twice as absorbent as clay based but only half the weight
- Use in acid drip pans
- Safe and non-hazardous
- Not dusty like clay
- Acid neutralizer is available from 1 lbs. to 160 lbs. containers



## Spill Kits

<p><b>510192 2-Gallon Spill Kit</b></p> 	<p><b>Neutralizes 2 gallons/7.57 liters</b></p> <ul style="list-style-type: none"> <li>• 8 lbs./3.6 kg. acid absorber and neutralizer</li> <li>• 1 pair nitrile acid-proof gloves</li> <li>• 1 pair safety glasses</li> <li>• 2 disposal bags</li> <li>• 1 pair paddles</li> </ul>	<p><b>510195 1/2-Gallon Spill Kit</b></p> 	<p><b>Neutralizes 1/2 gallon/1.89 liters</b></p> <ul style="list-style-type: none"> <li>• 2 jars (16 oz./453 gr.) acid absorber and neutralizer</li> <li>• Eye and skin wash solution</li> <li>• 5 gusseted battery bags, 10" x 18" x 24"</li> <li>• 1 pair lined nitrile gloves (XL)</li> <li>• Safety goggles</li> <li>• Brush and pan (2 piece kit)</li> <li>• 10 yellow Hazmat pads, 19" x 15"</li> <li>• Gr. 65, scissors battery carrier</li> <li>• Yellow storage box</li> </ul>
<p><b>510191 6-Gallon Spill Kit</b></p> 	<p><b>Neutralizes 6 gallons/22.7 liters</b></p> <ul style="list-style-type: none"> <li>• 25 lbs./11.3 kg. acid absorber and neutralizer</li> <li>• Safety wear for 1 (shoe covers, gloves, goggles, apron)</li> <li>• Brush and pan (2 piece kit)</li> <li>• Plastic disposal bag</li> </ul>	<p><b>510198 25-Gallon Spill Kit</b></p> 	<p><b>Helps contain and neutralize up to 25 gallons/94.6 liters of acid</b></p> <ul style="list-style-type: none"> <li>• 100 lbs./45 kg. acid spill absorber and neutralizer</li> <li>• Broom head</li> <li>• Broom handle</li> <li>• 12 absorbent socks, 3" x 48"</li> <li>• 5 pillows, 12" x 12"</li> <li>• 50 yellow Hazmat pads, 19" x 15"</li> <li>• 4 black disposal poly bags</li> <li>• 2 nitrile aprons</li> <li>• 2 pair rubber boot covers (XL)</li> <li>• Safety goggles (2)</li> <li>• 2 pair face shields &amp; head gear</li> <li>• 2 pair lined nitrile gloves</li> <li>• 10 gusseted battery bags, 10" x 18" x 24"</li> <li>• Non-sparking, folding shovel</li> <li>• Yellow rolling container</li> </ul>
<p><b>510190 15-Gallon Spill Kit</b></p> 	<p><b>Neutralizes 15 gallons/56.7 liters</b></p> <ul style="list-style-type: none"> <li>• 60 lbs./27.3 kg. acid absorber and neutralizer</li> <li>• Safety wear for 2 (shoe covers, gloves, goggles, apron)</li> <li>• Brush and pan (2 piece kit)</li> <li>• Plastic disposal bag</li> <li>• Broom</li> <li>• Hazmat drum</li> </ul>		

# Acid Spill Absorber and Neutralizer

- Purple to yellow color change shows when acid is neutralized and safe
- Twice as absorbent as clay based but only half the weight
- Use in acid drip pans
- Safe and non-hazardous
- Not dusty like clay
- Instructions and MSDS included
- Durable easy to store container with re-sealable lid
- See OSHA 1926.441 and 1910.173



Description	Part No.
Rescue acid absorber – 1 lb. jar	510130-000
Rescue acid absorber – 8 lb. jug	510130-001
Rescue acid absorber – 25 lb. pail	510130-005
Rescue acid absorber – 160 lb. drum	510130-030

Absorption Quantities
1 lb. (.45 kg) absorbs 1 quart (.95 liters)
8 lb. (3.6 kg) absorbs 2 gallons (7.57 liters)
25 lb. (11.3 kg) absorbs 6 gallons (22.7 liters)
60 lb. (27.2 kg) absorbs 15 gallons (56.78 liters)

## **NEW** EZ-Zorber Bulk Acid Absorber Including Neutralizer



- Dry formula
- Absorbs and neutralizes battery acid spills
- Economical and easy-to-use
- Approximately 20 lb. (2.5 gallon)

Description	Part No.
EZ-Zorber acid absorber	510135-002

## Battery Acid Floor and Counter Mat



- Mat absorbs acid but won't leak through tough polypropylene backing
- Absorbs 6 oz of acid per square foot
- Cut to size for battery compartments, storage racks or drip pans
- Use on floor or under the battery
- Protects workbench or retail counter from abrasion and acid corrosion
- Use Wash Water Neutralizer to neutralize acid, then use shop vacuum to remove liquid
- Use mat over and over again

Description	Part No.
36" wide floor and counter mat (25' roll)	510170-025
72" wide floor and counter mat (25' roll)	510171-025
72" wide floor and counter mat (8' roll)	510171-008

**NEW!**

**QUICKHOWTO.COM™**

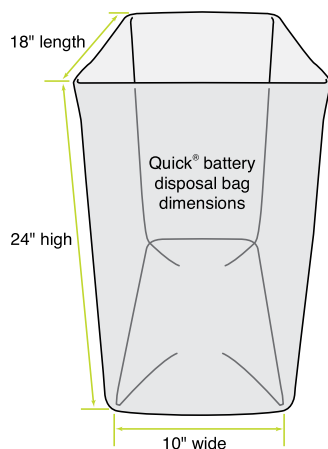


See the video on cleaning up an acid spill



# Battery Disposal Bags

- Designed for the temporary storage of leaking or damaged batteries
- Clear gusseted heavy mil polybag with flat bottom
- Fits SLI and other batteries (see dimensions on drawing)
- Seal bag with included cable ties
- Sold in quantities of 10 or 50 (inquire for larger quantities)



Description	Part No.
Battery disposal bag	510335

# Acid Containment Pallets

## 2500 Pounds

- Holds up to 18 gallons of battery acid/liquid
- Will support up to 2500 pounds
- Resists corrosion, moisture and battery acid
- Made of polyethylene
- 42" x 52" x 7.5" (107 x 132 x 19 cm)



Description	Part No.
2500 lb. pallet	510250

## 8000 Pounds

- Holds up to 66 gallons of battery acid/liquid
- Will support up to 8000 pounds
- Resists corrosion, moisture and battery acid
- Made of polyethylene
- 52" x 52" x 8" (132 x 132 x 19 cm)
- Has drain plug



Description	Part No.
8000 lb. pallet	510251



# Pallet Strapping Kits

## Ideal for Strapping Batteries Together and to Pallets

- Corded polyester strap is stronger and lighter than steel
- Strap is acid-resistant, non-conductive, non-corrosive and weatherproof
- Safer than steel, no snap back, no sharp edges and easier to dispose of
- Fast and simple – one tool tensions and cuts
- Two strapping kits, both include strapping, steel buckles, dispenser and strap tensioning tool
- Cost effective, re-order strap and buckles as you need them
- Printed strap serves as a security tape and cannot be cut and repackaged by a transport company



420581



420580



420590

Description	Part No.	420590 Dispenser Box Kit	420580 Wheeled Cart Kit
Strap tensioner and cutting tool	420581	1 each	1 each
Strap buckles 2000 lbs. capacity	420582	200 each	200 each
Strap poly	420583	700'	2000'
Portable dispenser toolbox	420591	1 each	–
Pallet reach under needle	420584	–	1 each
Rolling strap dispenser and tray	420585	–	1 each



# Battery Cleaners



510430

510420



510145

- Foaming cleaning action
- Dissolves corrosion and neutralizes acid
- No. 510430 has color change formula that turns purple when acid is present and back to yellow when acid is neutralized
- Cleaner spray, 1 oz pump, tool box/pocket size

**QUICKHOWTO.COM™**



See the videos on using various chemical products

Description	Amps	Volume	Part No.
Battery cleaner	Aerosol	14 oz. (390 grams)	510420
Battery cleaner with acid detector	Aerosol	14 oz. (390 grams)	510430
Battery cleaner and acid neutralizer	Pump spray	1 oz. (28 grams)	510145

## Black Battery Reconditioner Paint



- Restores battery to original look
- Fast drying and formulated to adhere to battery plastics and metal
- Fan spray nozzle for uniform coverage
- Other uses include battery hold-downs, trays, cases and other areas needing a coat of paint
- Net weight 12 oz. (340 grams)

Description	Part No.
Battery reconditioner	510440

## Plastic and Glass Cleaner



- All purpose plastic and glass cleaner
- Cleans and brightens new batteries for sale
- Safe for plexiglass and tinted window film
- Net weight 18.75 oz (531 grams)

Description	Part No.
Plastic and glass cleaner	510450



# Battery Corrosion Preventatives



- Three choices, including aerosol and brush-on compound
- Seals out acid fumes, road salt, moisture and dirt
- New clear silicone sealant – Quick Cable exclusive

510400

510410

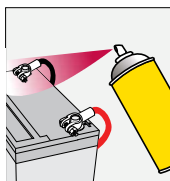
6022

6023

510146

## Original Red Aerosol Formula

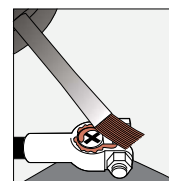
- Sprays on red, showing presence of protective coating
- Does not dry out or evaporate
- Improved non-running, no-drip formula – use less per application
- Net weight 9.75 oz (276 grams) per can



Description	Part No.
Red corrosion preventative	510400
Red corrosion preventative pump 3/4 oz. (21 grams)	510146

## QuickCote+™ with Acid Neutralizer

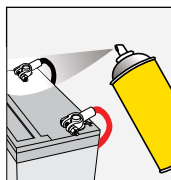
- Brush-on compound seals out corrosion and neutralizes acid
- Non-hardening, non-cracking
- Use on all exposed electrical connectors, also prevents seizing of threaded fasteners
- 8 oz. can has brush applicator



Description	Part No.
1 can/8 oz. (240 gm.) with applicator brush	6023
32 oz. (909 gm.) economy can	6022

## Clear Silicone Sealant

- Seals out acid and water, formulated specifically for use on batteries
- Sprays on white, showing area of protection
- Does not dry out or evaporate
- Helps seal electrical connections and other wiring applications
- Net weight 10 oz (284 grams) per can



Description	Type	Volume	Part No.
Clear corrosion preventative	Aerosol	10 oz. (284 grams)	510410

## Protective and Cleaner Sprays

- Cleaner spray cleans terminals and connectors while neutralizing acid
- Protective spray protects exposed electrical connections from corrosion
- Both come as in a compact sized container which easily fits in tool box or pocket



Description	Part No.
Battery protective spray – 3/4 oz. (28 gm.)	120141
Battery cleaner spray – 1-1/8 oz. (32 gm.)	120131

## Battery Terminal Protection Kit

- Includes terminal protectors, battery cleaning brush, 3/4 oz. terminal protection spray, 1-1/8 oz. cleaner spray, hand cleaning towelette
- Sold in cartons of 6



Description	Part No.
Battery terminal protection kit	120145



See the videos on using various chemical products

# Battery Maintenance Kits

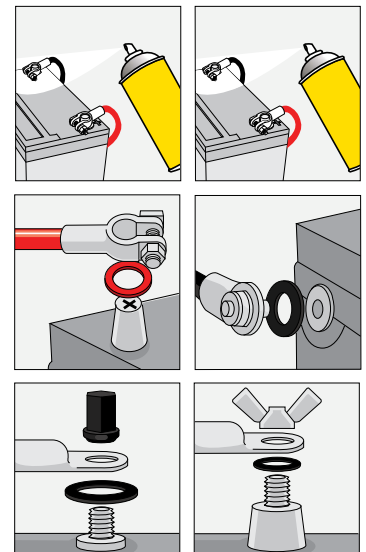


- Kits for top post, side terminal and Group 31 stud batteries
- Complete with cleaner, protective spray, washers and brush
- Convenient carrying case
- Carry case (6-pack style) has extra space for additional tools such as safety glasses, pliers etc.
- Complete convenient kits for battery installers and maintenance technicians
- Designed for the battery professional but great for the DIY
- Kit is in three languages: English, Spanish and French



Acid spill absorber in 1 lb. jar fits in maintenance kit part no. 510130

Battery Type	Spray Color	Kit Contents	Part No.
Top post and side terminal	Clear silicone	1 – battery cleaner 1 – battery corrosion preventative 50 – combination battery washers 1 – terminal cleaning brush 1 – carry case (6-pack style)	510900
Top post and side terminal	Red	1 – battery cleaner 1 – battery corrosion preventative 50 – combination battery washers 1 – terminal cleaning brush 1 – carry case (6-pack style)	510901
Group 31 stud terminal	Red	1 – battery cleaner 1 – battery corrosion preventative 50 – stud battery washers 1 – terminal cleaning brush 1 – carry case (6-pack style)	510902







# Battery Washers



6623-2002

- Battery washers seal out acid fumes protecting terminals from corrosion
- Washer is impregnated with a corrosive preventative
- Available in red and black for easy polarity identification
- A washer style for all your needs:
  - Top Post
  - Side Terminal
  - Combo, Top and Side Terminal
  - Marine/Golf Cart Post
- Packaged in convenient plastic screw top jars, plastic bags and blister cards
- Trilingual – English, French and Spanish

A. Side Terminal Washer	Part No.
1 pair per bag – 50 bag/bag	6621
*50 pieces per Jar – black	6621B
*50 pieces per Jar – red	6621R
100 pieces per Jar – black	6621B
100 pieces per Jar – red	6621R
100 pcs. – 12 jars/case – black	6621B
100 pcs. – 12 jars/case – red	6621R

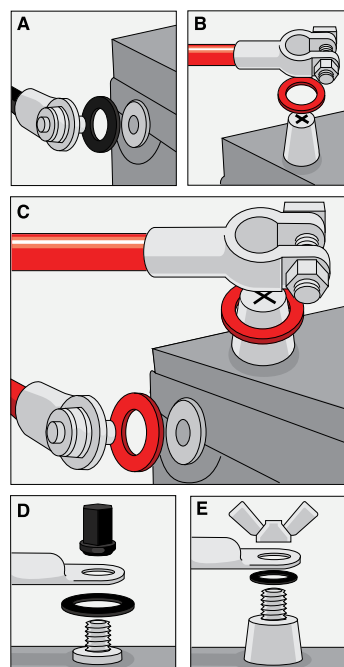
C. Combo Top/Side Washer	Part No.
1 pair per bag – 50 bag/bag	6623
1 pair per card – 24 cards/box	6623
*50 pieces per jar – black	6623B
*50 pieces per jar – red	6623R
100 pieces per jar – black	6623B
100 pieces per jar – red	6623R

B. Top Post Terminal Washer	Part No.
1 pair per bag – 50 bag/bag	6622
*50 pieces per jar – black	6622B
*50 pieces per jar – red	6622R
100 pieces per jar – black	6622B
100 pieces per jar – red	6622R
100 pcs. – 12 jars/case – black	6622B
100 pcs. – 12 jars/case – red	6622R

D. Marine/Golf Cart 3/8" Washer	Part No.
*100 pieces per jar – black	6626B
*100 pieces – 12 jars/case – black	6626B

E. Marine/Golf Cart 5/16" Washer	Part No.
*100 pieces per Jar – black	6628B
*100 pieces – 12 jars/case – black	6628B

\* Packaged to fit in maintenance kits.



## Battery Terminal Wipes

30 Handy, Disposable Wipes per Container

- Cleans terminals and neutralizes acid
- The blue wipe turns pink when exposed to acid and back to blue when the acid is neutralized
- Each wipe 7" x 8"

**NEW!**



Description	Part No.
Battery terminal wipes	510148-001

## Automotive Battery Cleaner

**NEW!**

Has Color Change Formula

- Cleans batteries in cars, boats, RV's
- Turns purple in the presence of battery acid
- Neutralizes acid and returns to light yellow color
- Net contents: 1 quart (.95 L)



Description	Part No.
Automotive battery cleaner	510156
Additional sprayer for 32 oz. bottle	510346

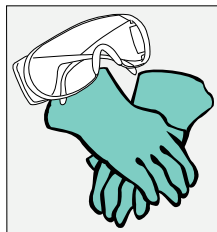


# Industrial Battery Cleaner

## Cleans Batteries, Neutralizes Acid



- Excellent for dissolving corrosion and neutralizing acid
- Color change formula turns bright red when acid is present and back to yellow when acid is neutralized
- Economical refills



Description	Part No.
Industrial battery cleaner – 35 gallon	510140-035
Industrial battery cleaner – 5 gallon	510140-005
Industrial battery cleaner – 12 quarts	510145-012
Industrial battery cleaner – 4 quarts	510145-004
Industrial battery cleaner – 1 quart	510145-001



## Stationary Battery Wipedown

**NEW!**

- Safe for use on all battery plastics including stationary and UPS
- Turns bright red in the presence of battery acid
- Neutralizes acid and returns to light yellow color
- Formula complies with IEEE requirements
- Net contents: 1 quart (.95 L)



Description	Part No.
Stationary battery wipedown	510142-001

## Stationary Battery Wipes

**NEW!**

### 30 Handy, Disposable Wipes per Container

- Safe for use on all battery plastics including stationary and UPS
- Turns bright red in the presence of battery acid
- Neutralizes acid and returns to light yellow color
- Formula complies with IEEE requirements
- Each wipe 7" x 8"



Description	Part No.
Stationary battery wipes	510147-001

## Battery Wash Water Treatment

- Use to adjust the pH in wash water
- Non-corrosive and non-hazardous
- Allows for reuse of wash water
- Can also be used to remove acid from concrete floors in preparation for epoxy floor paint or containment system
- Use to clean acid contaminated floor and equipment such as battery racks and delivery vehicles



Description	Part No.
Washwater treatment – 35 gallon container	510160-035
Washwater treatment – 5 gallon container	510160-005
Washwater treatment – 1 gallon container	510160-001
Washwater treatment – 4 gallon case	510160-004

**QUICKHOWTO.COM™**



See the videos on using various chemical products

**Chemicals & Safety**



# Portable Eyewash Station

- Provides a steady water flow and first aid relief virtually anywhere
- No plumbing required, 9-gallon capacity
- Meets OSHA and ANSI 2358.1 standard requirements for a full 15-minute capacity of flushing time eye wash station
- Constructed of FDA high-density polyethylene material
- Wide fill cap for easy filling and inspecting
- Anti-bacterial additive for use in eyewash station protects water for up to six months
- Available additive is sold in individual 5-oz bottle or four bottles per carton
- Eyewash is activated by pulling down lever, which protects outlet nozzle when not in use
- Easily hangs on wall with supplied bracket
- Manufactured in the USA



Description	Part No.
Eye wash station	510500
Anti-bacterial additive – 5 oz. bottle	510501



See videos on using safety products around batteries

# Quick® Emergency Eye and Skin Wash

- Fast personal eye and skin wash when acid spill threatens eyesight
- For battery delivery trucks, field repair, etc.
- Available with wall mount holder or as refill
- 16 oz. (473 ml) eyewash in durable, quickopening, quick pour plastic bottle
- Sterile, isotonic, double-buffered eyewash and skin flush
- Manufactured under FDA guidelines, with National Drug Code printed on every bottle
- ANSI Z358.1-2004 compliant, as personal eyewash only
- Wire wall mount is vibration resistant, has durable black coating, comes with fasteners and is ideal for delivery and service trucks
- Plastic wall mount is ideal for battery charging station, battery service area, warehouse, etc.
- Instructions and MSDS enclosed



510522



510521

Description	Part No.
Eye and skin flush plastic wall mount	510502
Quick eyewash – 16 oz. bottle	510520
Quick eyewash – 16 oz. bottle w/wire holder	510521
Quick eyewash – 16 oz. bottle w/plastic holder	510522



510502

# Chemical Safety Wear

- Made for working around batteries where contact with sulfuric acid may occur
- Components sold separately or in kits
- Should be worn at all times when contact with acid may occur
- Kit includes splash-proof goggles, face shield, vinyl apron, nitrile gloves, shoe covers and emergency eyewash bottle
- See OSHA 1926.441 and 1910.173



Description of Kits		Part No.	
Personal protective wear kit		510200	
Personal protective wear kit with wall rack		510201	
Individual Items			
Description	Part No.	Description	Part No.
Face shield	510330	Nitrile gloves	510338
Goggles	510336	Vinyl aprons	510340
Rubber shoe covers	510337	Eyewash bottle	510520

# Disposable Gloves

- Nitrile gloves resist acid
- Box of 100



Description	Part No.
Small	520109
Medium	520110
Large	520111
Extra large	520112



# Safety Wall Signs for Battery Work Areas

- Three sets of signs for different industry groups
- All signs available separately
- 4 corner holes for easy mounting
- Durable, impact resistant plastic, non-corroding
- See OSHA 1926.441 and 1910.173



Selection of Signs in Each Set	Individual Signs	Automotive, Truck Farm, Marine (5 Signs)	Industrial Battery (7 Signs)	Stationary Battery (7 Signs)
Eye wash fountain	510221	•	•	•
Emergency spill kit	510222	•	•	•
Caution working vehicles	510223	–	•	–
Eye protection required	510224	•	•	•
Danger high voltage	510225	–	•	•
Fire extinguisher	510226	•	•	•
No smoking	510227	•	•	•
Exit	510228	–	–	•
No exit	510229	–	–	•
Battery room sign	510230	–	–	–



# Battery Isolators



303305



303302



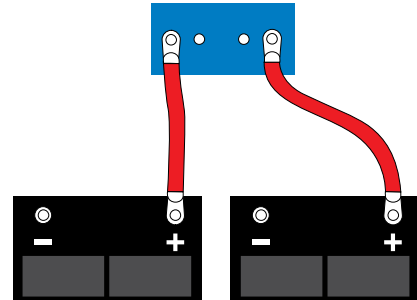
303304



Available in retail

- Ideal for marine, RV, automotive and commercial applications
- Allows for simultaneous battery charging of a multiple battery system
- Isolates batteries to insure power to start your vehicle
- Reliable solid-state circuitry
- Sealed to protect against oil, gas, salt, water and harsh environments
- Temperature range -40°F to +250°F (-40°C to +121°C)
- Use with multiple battery charging systems
- For wet cell or gel cell batteries, all batteries must be same type to prevent damage

### Isolator



### Isolator Types

Description	Rating	Batteries	Part No.
Standard	70 amp	3	303300
Delcotron	90 amp	2	303301
Schottky	100 amp	2	303302
Standard	120 amp	2	303303
Delcotron	140 amp	2	303304
Schottky	180 amp	2	303305
Delcotron	200 amp	2	303306

Type	Description
Delcotron	(12-36V) Use with General Motors alternators for 1985 and newer vehicles that require an extra ignition connection terminal
Schottky	(6-36V) Use a Schottky diode to reduce radio frequency interference and to minimize voltage drop; complies with Spec. KKK-A1822C

## Isolator Installation Kit

### Kit Contains:

- 10 ring terminals, 10 terminal sleeves, 15' 8 ga cable, 50 amp circuit breaker, 2 butt connectors
- Universally suitable for most multi-battery systems, including RV and inboard marine
- Assures reliable starting for vehicles with multiple batteries



Kit Contents	Part No.
<ul style="list-style-type: none"> <li>• 15 feet/8 gauge cable</li> <li>• 50 amp circuit breaker</li> <li>• 1 - #8 - 8 terminal</li> </ul>	303310
<ul style="list-style-type: none"> <li>• 4 #8 - 6 terminals</li> <li>• 2 - #8 - 5 terminals</li> <li>• 2 connectors</li> </ul>	



# Solar Powered Battery Chargers

Harness the power of the sun to maintain or charge your vehicle's battery

## Three sizes to choose from

- For auto, marine and RV batteries
- Ideal for seasonal or intermittent use – keeps your battery charged
- 12V DC power plug and battery terminal clips included
- Maintenance free



12V battery maintainer  
Part No. 800300-001



15 watt 12V battery charger  
Part No. 800302-001



Battery clamps and 12 volt DC plug come with each charger



12V battery trickle charger  
Part No. 800301-001

	Battery Maintainer	Trickle Charger	Battery Charger
Part No.	800300	800301	800302*
Watts	2	5	15
Dimensions	5" x 14"	13-1/2" x 16-3/8"	38" x 13-3/4"
Features	<ul style="list-style-type: none"> <li>• 12V Cigarette</li> <li>• Battery Clips</li> </ul>	<ul style="list-style-type: none"> <li>• 12V Cigarette</li> <li>• Battery Clips</li> </ul>	<ul style="list-style-type: none"> <li>• 12V Cigarette</li> <li>• Battery Clips</li> <li>• Charge Control Recommended</li> <li>• Multiple Panels can be connected</li> </ul>

\*Note: we recommend the Quick Charge Regulator (Part No. 800310-001) when using the 15W panel



**RETAIL PACKAGING**

**Inverters & Isolators**



# Battery Inverters

## Convert DC to 120-Volt AC

### Pure Sine Wave & Modified Sine Wave Inverters



#### Features of All Units

- Low battery alarm
- Reverse polarity protection
- Overload protection
- High temperature protection
- Output short circuit protection



#### 12V Pure Sine Wave Inverter

Wattage	Part No.
300	303201

#### 12V Modified Sine Wave Inverter in Clamshell

Wattage	Part No.
150	303203
300	303204
600	303205

#### 12V Modified Sine Wave Inverter

Wattage	Part No.
1000	303206
1500	303207
2500	303208

#### 24V Modified Sine Wave Inverter

Wattage	Part No.
2500	303209

#### Inverter Remote Starter

Part No.
303220

**NEW!**



#### 300-Watt Pure Sine Wave

- Precision power supply, ideal for computers, TVs and cell phones

#### 150-Watt to 600-Watt Modified Sine Wave

- One output
- Retail clamshells

#### 1000-Watt to 2500-Watt Modified Sine Wave

- Two outputs
- Ideal for general use

#### Comparison Wattage

Unit	Continuous Power	Peak Power
150	150	450
300	300	1000
600	600	1500
1000	1000	2000
1500	1500	3000
2500	2500	5000



# Inverter Installation Kits



- Quick and easy installation of inverters
- All parts required for installation
- Easy-to-follow instructions
- Every kit includes inline fuse for safety
- Do-it-yourself

## 1000 Watt Kit

Description	Part No.
<ul style="list-style-type: none"> <li>• 3 feet 4 ga. AWG red cable</li> <li>• 10 feet 4 ga. AWG red cable</li> <li>• 10 feet 4 ga. AWG black cable</li> <li>• 10 feet 8 ga. AWG green cable</li> <li>• Deluxe clearview fuse holder</li> </ul>	9944
<ul style="list-style-type: none"> <li>• 150 amp safety fuses</li> <li>• 4 ga. AWG wire connectors – Std., 3/8" hole</li> <li>• 4 ga. AWG wire conn. – std., 5/16" hole</li> <li>• 4 ga. AWG wire grommets</li> <li>• 8 ga. AWG wire connectors – std., 1/4" hole</li> <li>• Instructions</li> </ul>	

## Universal Kit

Description	Part No.
<ul style="list-style-type: none"> <li>• 3 feet 2 ga. AWG red cable</li> <li>• 10 feet 2 ga. AWG red cable</li> <li>• 10 feet 2 ga. AWG black cable</li> <li>• 10 feet 8 ga. AWG green cable</li> <li>• Deluxe clearview fuse holder</li> </ul>	9943
<ul style="list-style-type: none"> <li>• 150 amp safety fuses</li> <li>• 2 ga. AWG wire connectors – std., 3/8" hole</li> <li>• 2 ga. AWG wire conn. – std., 5/16" hole</li> <li>• 8 ga. AWG wire connectors – std., 1/4" hole</li> <li>• Cable ties</li> <li>• Instructions</li> </ul>	

## 1500 Watt Kit

Description	Part No.
<ul style="list-style-type: none"> <li>• 3 feet 2 ga. AWG red cable</li> <li>• 10 feet 2 ga. AWG red cable</li> <li>• 10 feet 2 ga. AWG black cable</li> <li>• 10 feet 8 ga. AWG green cable</li> <li>• Deluxe clearview fuse holder</li> </ul>	9946
<ul style="list-style-type: none"> <li>• 200 Amp safety fuses</li> <li>• 2 ga. AWG wire connectors - std., 3/8" hole</li> <li>• 2 ga. AWG wire conn. - std., 5/16" Hole</li> <li>• 8 ga. AWG wire connectors - std., 1/4" hole</li> <li>• 2 ga. grommets</li> <li>• Instructions</li> </ul>	

## 2500 Watt Kit

Description	Part No.
<ul style="list-style-type: none"> <li>• 3 feet 1/0 ga. AWG red cable</li> <li>• 10 feet 1/0 ga. AWG red cable</li> <li>• 10 feet 1/0 ga. AWG black cable</li> <li>• 10 feet 8 ga. AWG green cable</li> <li>• Deluxe clearview fuse holder</li> </ul>	9945
<ul style="list-style-type: none"> <li>• 250 amp safety fuses</li> <li>• 1/0 AWG wire connectors – std., 3/8" hole</li> <li>• 1/0 AWG wire connectors – std., 5/16" hole</li> <li>• 8 ga. AWG wire connectors – std., 1/4" hole</li> <li>• 1/0 ga. grommets</li> <li>• Instructions</li> </ul>	

## MagnaLug™ Inverter Connectors

- Can be crimped or soldered
- Permanent connection, prevents arcing and shorting
- Perfect fit for most inverter connections with screw tab mounting holes
- Unique self-centering design

Gauge	Tab Length	Tab Width	Thickness	Part No.
8	.67"	.21"	.15"	102808
6	.67"	.21"	.15"	102806
4	.67"	.21"	.15"	102804
2	.67"	.21"	.15"	102802
2/0	.67"	.21"	.15"	102820



MagnaLug™ inverter connector



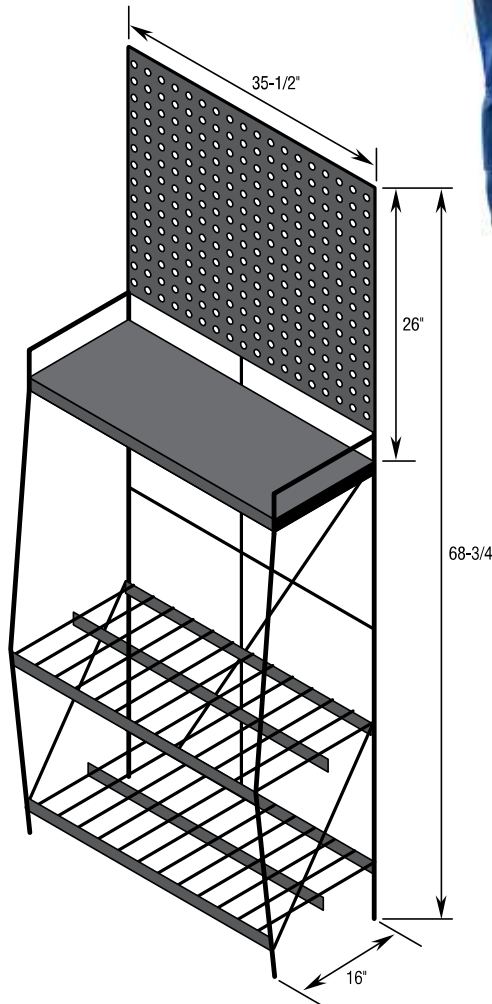


# Retail Program

## Merchandisers, Spinners, End Caps, Displays



Four Sided Spinners	
Description	Part No.
Automotive	990121
Battery outlets	990122
Agricultural/construction	990123
Marine/RV	990124



- Steel powder-coated, load bearing 250 lbs. (113 kg)
- Easy assembly
- Pegboard display area
- Changeable signage

Rescue Racks	
Description	Part No.
69" high, steel display rack (only)	990121
Automotive	990130
Battery outlets	990131
Agricultural/construction	990132
Marine/RV	990133

Retail Merchandising

Wall / Gondola / End Cap	
Description	Part No.
Automotive	990126
Battery outlets	990127
Agricultural/construction	990128
Marine/RV	990129

Heat-Shrink Tube Display	
Description	Part No.
Heat-shrink tube display	HSDP

- Use with 48" sticks of heat-shrink, such as MagnaTube™, FlexTube™ or SpliceTube™
- Eight product bins
- Easy to assemble
- 32.5" high x 22" wide x 10" deep

Mini-Merchandiser for Counter or Wall	
Description	Part No.
Fusion display – 38 pieces	402101
Automotive display – 38 pieces	402104

- Space efficient design measures 18" x 25"
- Use 1.5 square feet of counter space
- Wall mountable, hardware included
- Use plan-o-gram or create your own

# Index by Part Number

Part No.	Pg.	Part No.	Pg.	Part No.	Pg.	Part No.	Pg.	Part No.	Pg.	Part No.	Pg.	Part No.	Pg.	Part No.	Pg.		
100653F	19	106126	29	120141	120	120303	105	123144	72	125207	73	141219	24	160239	32	160901	33
100655F	19	106200	29	120145	120	120303	112	123144	73	125208	73	141220	24	160240	32	160902	33
102455	22	107101	25	120147	82	120310	105	123153	73	125209	73	141307	24	160245	33	160903	33
102456	22	107102	25	120149	82	120310	112	123154	73	125210	73	141308	24	160246	33	160904	33
102457	22	107111	25	120151	82	120311	105	123156	73	126101	75	141309	24	160247	33	160905	33
102458	22	107112	25	120152	82	120311	112	123205	74	126102	75	141310	24	160248	33	162158	34
102459	22	107113	25	120153	83	120312	105	123207	74	126103	75	141316	24	160249	33	162160	34
102460	22	107114	25	120154	83	120312	112	123208	74	126107	75	141317	24	160251	33	162165	34
102560	22	107116	25	120155	83	120313	105	123209	74	126201	75	141318	24	160253	33	162180	34
102570	22	107117	25	120156	104	120313	112	123210	74	126202	75	141319	24	160263	33	162258	34
102580	22	107131	25	120156	110	120320	105	123401	72	126203	75	141320	24	160266	32	162260	34
102660	22	107132	25	120156	112	120320	112	124101	73	126204	75	141410	24	160267	32	162265	34
102670	22	107133	25	120158	83	120322	105	124103	73	126205	75	141420	24	160268	32	162280	34
102680	22	107134	25	120159	110	120322	112	124104	73	126206	75	141430	24	160270	32	162458	34
102707	23	107136	25	120160	83	120323	105	124105	73	126207	75	141440	24	160271	32	162460	34
102708	23	107137	25	120161	82	120323	112	124107	73	126211	75	160101	32	160272	32	162480	34
102709	23	107161	25	120162	82	120328	106	124108	73	126212	75	160102	32	160275	33	163069	31
102710	23	107162	25	120166	107	120333	110	124109	73	126213	75	160103	32	160278	33	163073	31
102717	23	107163	25	120166	112	120334	110	124110	73	126214	75	160104	32	160279	33	163102	31
102718	23	107164	25	120167	107	121105	72	124121	73	126301	75	160105	32	160280	33	163103	31
102719	23	107166	25	120167	112	121107	72	124122	73	126302	75	160106	32	160281	33	163104	31
102720	23	107167	25	120168	107	121108	72	124123	73	126303	75	160107	32	160283	33	163105	31
102802	129	107168	25	120168	112	121109	72	124201	73	126305	75	160112	32	160285	33	163106	31
102804	129	107169	25	120170	104	121110	72	124203	73	126401	64	160124	32	160286	33	163125	31
102806	129	107186	25	120170	112	122101	72	124204	73	126402	64	160126	32	160287	33	163145	31
102808	129	107187	25	120171	104	122104	72	124205	73	126403	64	160130	32	160288	33	163146	31
102820	129	107188	25	120171	112	122108	72	124207	73	126900	75	160131	32	160289	33	163148	31
105015	25	107202	25	120172	104	122109	72	124208	73	126901	75	160132	32	160303	32	163153	31
105016	25	107203	25	120172	112	122201	72	124209	73	127205	75	160134	32	160304	32	163157	31
105017	25	107204	25	120173	104	122204	72	124210	73	127504	74	160135	32	160305	32	163158	31
105018	25	107206	25	120173	112	122208	72	124221	73	127505	74	160136	32	160402	32	163160	31
105019	25	107207	25	120174	106	122209	72	124222	73	127506	74	160138	32	160403	32	163166	31
105035	25	107208	25	120174	112	122270	73	124223	73	127507	74	160139	32	160404	32	163170	31
105036	25	107209	25	120175	106	122271	73	124270	73	127508	74	160140	32	160405	32	163180	31
105037	25	107228	25	120175	112	122272	73	124272	73	127509	74	160145	33	160406	32	163202	31
105038	25	107229	25	120176	106	122273	73	124273	73	127510	74	160146	33	160407	32	163203	31
105039	25	107241	25	120176	112	122301	72	124304	73	127514	74	160147	33	160408	32	163204	31
105056	25	107242	25	120177	106	122304	72	124305	73	127515	74	160148	33	160412	32	163205	31
105057	25	107243	25	120177	107	122308	72	124307	73	127516	74	160150	33	160424	32	163206	31
105058	25	107244	25	120177	112	122309	72	124308	73	127517	74	160151	33	160425	32	163207	31
105059	25	107246	25	120177	112	122370	73	124309	73	127518	74	160153	33	160426	32	163225	31
105076	25	107247	25	120178	107	122371	73	124310	73	127519	74	160163	33	160431	32	163226	31
105077	25	107248	25	120178	112	122372	73	124321	73	127520	74	160166	32	160432	32	163246	31
105078	25	107249	25	120179	104	122373	73	124322	73	127600	75	160167	32	160435	32	163248	31
105079	25	107412	25	120179	112	122470	73	124323	73	127601	75	160170	32	160436	32	163253	31
105096	25	107415	25	120187	108	122471	73	124370	73	127602	75	160171	32	160439	32	163257	31
105097	25	107422	25	120189	108	122472	73	124372	73	127603	75	160175	33	160440	32	163258	31
105098	25	107425	25	120191	83	122473	73	124373	73	141106	24	160178	33	160446	33	163260	31
105099	25	107432	25	120192	83	122504	74	124470	73	141107	24	160179	33	160448	33	163266	31
105116	25	107435	25	120193	104	122508	74	124472	73	141108	24	160180	33	160449	33	163270	31
105117	25	107436	25	120193	112	122604	74	124473	73	141109	24	160181	33	160453	33	163280	31
105118	25	107442	25	120194	83	122608	74	124507	74	141110	24	160183	33	160463	33	163403	31
105119	25	107445	25	120195	82	122704	74	124508	74	141116	24	160185	33	160468	32	163404	31
105136	25	107446	25	120200	82	122708	74	124509	74	141117	24	160188	33	160472	32	163405	31
105137	25	107447	25	120201	82	122804	74	124510	74	141118	24	160201	32	160475	33	163406	31
105138	25	107455	25	120211	104	122808	74	124607	74	141119	24	160202	32	160478	33	163407	31
105139	25	107456	25	120211	112	123002	74	124608	74	141120	24	160203	32	160479	33	163408	31
105156	25	107457	25	120213	104	123101	72	124609	74	141126	24	160204	32	160480	33	163425	31
105157	25	107466	25	120213	112	123103	72	124610	74	141127	24	160205	32	160481	33	163426	31
105158	25	107467	25	120215	107	123104	72	124707	74	141128	24	160206	32	160483	33	163448	31
105159	25	108406	28	120215	112	123105	72	124708	74	141129	24	160207	32	160485	33	163453	31
105176	25	120101	82	120220	108	123107	72	124709	74	141130	24	160208	32	160488	33	163458	31
105177	25	120110	83	120221	108	123108	72	124710	74	141136	24	160212	32	160504	32	163460	31
105178	25	120117	82	120225	108	123109	72	124807	74	141137	24	160224	32	160505	32	163480	31
105179	25	120118	82	120230	108	123110	72	124808	74	141138	24	160225	32	160506	32	163900	31
105900	13	120119	82	120231	108	123115	73	124809	74	141139	24	160226	32	160507	32	164102	30
106101	70	120120	82	120290	83	123130	73	124810	74	141140	24	160230	32	160580	33	164103	30
106102	70	120122	82	120300	105	123131	73	125105	73	141207	24	160231	32	160604	32	164104	30
106103	70	120123	59	120300	112	123132	73	125107	73	141208	24	160232	32	160605	32	164105	30
106104	70	120124	59	120301	105	123142	72	125108	73	141209	24	160234	32	160606	32	164106	30
106115	29	120125	59	120301	112	123142	73	125109	73	141210	24	160235	32	160607	32	164107	30
106116	29	120126	59	120302	105	123143	72	125110	73	141217	24	160236	32	160680	33	164124	30
106125	29	120131	120	120302	112	1231											

Part No.	Pg.	Part No.	Pg.	Part No.	Pg.	Part No.	Pg.	Part No.	Pg.	Part No.	Pg.	Part No.	Pg.	Part No.	Pg.		
164126	30	166404	35	201705	42	205403	50	213057	71	214351	67	214827	67	215833R	71	230409	46
164148	30	166405	35	201706	42	205404	50	213120	71	214376	67	214828	67	215840B	71	230500	46
164153	30	166406	35	201707	42	205405	50	213121	71	214377	67	214829	67	215846B	71	230501	46
164158	30	166407	35	201802	42	205406	50	213124	71	214378	67	214830	67	215847R	71	230502	46
164160	30	166425	35	201803	42	205411	50	213125	71	214379	67	214901	70	215850B	71	230503	46
164166	30	166426	35	201804	42	205412	50	213130	71	214380	67	214902	70	215900	65	230504	46
164170	30	166448	35	201805	42	205413	50	213131	71	214381	67	214903	70	215901	65	230505	46
164180	30	166453	35	201806	42	205414	50	213134	71	214451	67	214904	70	215902	65	230506	46
164202	30	166480	35	201807	42	205415	50	213135	71	214452	67	214905	70	215903	65	230509	46
164203	30	167180	35	202102	44	205416	50	213140	71	214453	67	214906	70	215904	65	230600	46
164204	30	167280	35	202103	44	20570	54	213141	71	214454	67	214907	70	215907	65	230601	46
164205	30	167480	35	202104	44	205712	54	213144	71	214455	67	214908	70	215908	65	230602	46
164206	30	169101	34	202105	44	205719	54	213145	71	214456	67	214909	70	215909	65	230603	46
164207	30	169103	34	202106	44	20572	54	213152	71	214481	67	214910	70	215920	65	230604	46
164224	30	169105	34	202107	44	205724	54	213153	71	214482	67	214911	70	217101	114	230605	46
164225	30	169106	34	202108	44	20574	54	213154	71	214483	67	214912	70	217102	114	230606	46
164226	30	169107	34	202109	44	205750	54	213155	71	214484	67	214921	70	217110	114	230609	46
164248	30	169108	34	202110	44	205752	54	213156	71	214485	67	214922	70	217120	114	230700	46
164253	30	169110	34	202202	44	205754	54	213157	71	214486	67	214923	70	217121	114	230701	46
164258	30	169111	34	202203	44	205758	54	213450	68	214496	67	214924	70	217130	115	230702	46
164260	30	169112	34	202204	44	205762	54	213451	68	214497	67	214925	70	217135	115	230705	46
164266	30	169116	34	202205	44	205769	54	213452	68	214498	67	214926	70	217155	114	230706	46
164268	30	169117	34	202206	44	205774	54	213453	68	214499	67	214927	70	217160	114	230709	46
164270	30	169118	34	202207	44	20578	54	213454	68	214500	67	214928	70	217165	114	231200	46
164272	30	169119	34	202208	44	205830	54	213455	68	214501	67	214931	70	217180	114	231201	46
164280	30	169120	34	202209	44	205831	54	213456	68	214526	67	214932	70	217181	114	231202	46
164403	30	169135	35	203102	44	205832	54	213457	68	214527	67	214933	70	217191	114	231203	46
164404	30	169136	35	203103	44	205833	54	213550	68	214528	67	214934	70	217192	114	231204	46
164405	30	169137	35	203104	44	205834	54	213551	68	214529	67	214941	70	217210	114	231205	46
164406	30	169138	35	203105	44	205835	54	213552	68	214530	67	214942	70	217230	114	231206	46
164407	30	169139	35	203106	44	205836	54	213553	68	214531	67	214943	70	220101	49	231209	46
164408	30	169150	38	203107	44	205837	54	213554	68	214601	67	214944	70	220102	49	231210	46
164425	30	200101	42	203108	44	205838	54	213555	68	214602	67	214945	70	220103	48	231300	46
164426	30	200102	42	203109	44	205839	54	213556	68	214603	67	214946	70	220104	48	231301	46
164427	30	200103	42	203301	45	205840	54	213557	68	214604	67	214947	70	220106	48	231302	46
164448	30	200104	42	203302	45	205900	12	213900	68	214605	67	214948	70	220109	48	231303	46
164453	30	200105	42	203303	45	205910	12	213905	68	214606	67	214949	70	23000	46	231304	46
164458	30	200106	42	203304	45	207001	55	213910	28	214631	67	214950	70	230001	46	231305	46
164460	30	200107	42	203305	45	207102	55	214102	67	214632	67	214951	70	230002	46	231306	46
164468	30	200108	42	203306	45	207103	55	214103	67	214633	67	214952	70	230003	46	231309	46
164472	30	200109	42	203307	45	207105	55	214105	67	214634	67	214960	69	230004	46	231310	46
164480	30	200201	42	203308	45	207110	55	214106	67	214635	67	214961	69	230005	46	231400	46
164580	30	200202	42	203309	45	207114	55	214108	67	214636	67	215020	69	230006	46	231401	46
164900	30	200203	42	203311	45	207120	55	214124	67	214646	67	215021	69	230009	46	231402	46
164901	30	200204	42	203312	45	207130	55	214135	67	214647	67	215023	69	230100	46	231403	46
164902	30	200205	42	203313	45	207140	55	214136	67	214648	67	215025	69	230101	46	231404	46
164905	30	200206	42	204102	49	207206	55	214137	67	214649	67	215040	69	230102	46	231405	46
165181	30	200207	42	204103	49	208107	45	214157	67	214650	67	215045	69	230103	46	231406	46
165281	30	200208	42	204104	49	208108	45	214201	67	214651	67	215048	69	230104	46	231409	46
165481	30	200209	42	204105	49	208109	45	214202	67	214676	67	215120	69	230105	46	231410	46
165905	30	200501	43	204106	49	208110	45	214223	67	214677	67	215121	69	230106	46	231500	46
166102	35	200502	43	205102	43	208111	45	214224	67	214678	67	215800B	71	230109	46	231501	46
166103	35	200503	43	205103	43	208112	45	214229	67	214679	67	215801R	71	230200	46	231502	46
166104	35	200504	43	205104	43	208113	45	214230	67	214680	67	215802B	71	230201	46	231503	46
166105	35	200505	43	205106	43	208114	45	214234	67	214681	67	215803R	71	230202	46	231504	46
166106	35	200506	43	205107	43	2114	53	214235	67	214750	67	215804B	71	230203	46	231505	46
166125	35	200507	43	205108	43	2115	53	214256	67	214751	67	215805R	71	230204	46	231506	46
166126	35	200508	43	205109	43	2116	53	214257	67	214752	67	215806B	71	230205	46	231509	46
166148	35	200509	43	205202	43	213020	71	214301	67	214753	67	215807R	71	230206	46	231510	46
166153	35	200601	43	205203	43	213021	71	214302	67	214754	67	215815B	71	230209	46	231600	46
166165	35	200602	43	205204	43	213024	71	214303	67	214755	67	215815R	71	230300	46	231601	46
166180	35	200603	43	205206	43	213025	71	214304	67	214780	67	215816R	71	230301	46	231602	46
166202	35	200604	43	205207	43	213030	71	214305	67	214781	67	215817B	71	230302	46	231603	46
166203	35	200605	43	205209	43	213031	71	214306	67	214782	67	215818R	71	230303	46	231604	46
166204	35	200606	43	20528	43	213034	71	214331	67	214783	67	215819B	69	230304	46	231605	46
166205	35	200607	43	205301	50	213035	71	214332	67	214784	67	215820B	69	230305	46	231606	46
166206	35	200608	43	205302	50	213040	71	214333	67	214785	67	215821B	69	230306	46	231609	46
166207	35	200609	43	205303	50	213041	71	214334	67	214795	67	215822B	69	230309	46	231610	46
166225	35	201510	57	205304	50	213044	71	214335	67	214796	67	215823B	69	230400	46	232001	47
166226	35	201610-050	57	205311	50	213045	71	214336	67	214797	67	215824B	69	230401	46	232101	47
166248	35	201610-100	57	205312	50	213052	71	214346	67	214798	67	215825	69	230402	46	232102	47
166253	35	201610-1000	57	205313	50	213053	71	214347	67	214799	67	215826	69	230403	46	232200	47
166265	35	201702	42	205314	50	213054	71	214348	67	214800	67	215830B	71	230404	46	232201	47

Part No.	Pg.	Part No.	Pg.	Part No.	Pg.	Part No.	Pg.	Part No.	Pg.	Part No.	Pg.	Part No.	Pg.	Part No.	Pg.		
233101	47	251403	46	303203	128	4101N	18	4218	80	4310P	18	5002U	21	502241	58	504506	59
233102	47	251404	46	303204	128	4101P	18	4220N	18	4310PA	18	5004N	21	502242	58	504507	59
233103	47	251405	46	303205	128	4102N	18	4220P	18	4320N	18	5004P	21	502243	58	504508	59
233104	47	251406	46	303206	128	4102P	18	4230N	18	4320P	18	5004U	21	502244	58	504509	59
233105	47	251409	46	303207	128	4104N	18	4230P	18	4320PA	18	5006N	21	502245	58	504511	59
233201	47	251500	46	303208	128	4104P	18	4240N	18	4330N	18	5006P	21	502246	58	504611	59
233202	47	251501	46	303209	128	4106N	18	4240P	18	4330P	18	5006U	21	502250	58	504612	59
233203	47	251502	46	303220	128	4106P	18	4245	78	4330PA	18	501010	64	502255	58	504613	59
233204	47	251503	46	303300	126	4110N	18	4245K	78	4340N	18	501011	64	502260	58	504614	59
233301	47	251504	46	303301	126	4110P	18	4247	77	4340P	18	501020	64	502261	58	504615	59
233302	47	251505	46	303302	126	4120N	18	4247D	78	4360N	18	501021	64	502281	58	504621	59
233303	47	251506	46	303303	126	4120P	18	4247K	78	4360P	18	501030	64	502282	58	504622	59
233304	47	251509	46	303304	126	4130N	18	4247R	77	436301N	20	501031	64	502283	58	504623	59
234101	48	251600	46	303305	126	4130P	18	4251K	78	436301P	20	501040	64	502286	58	504624	59
234102	48	251601	46	303306	126	4140N	18	4252	77	436310N	20	501041	64	502301	58	504625	59
234201	48	251602	46	303310	126	4140P	18	4252D	78	436310P	20	501060	64	502305	58	504631	59
234202	48	251603	46	308101	109	4160N	18	4252D	79	436320N	20	501061	64	502309	58	504632	59
234301	48	251604	46	308102	109	4160P	18	4252K	78	436320P	20	5010N	21	502310	58	504633	59
234302	48	251604	46	308103	109	416301N	20	4252M	77	436330N	20	5010P	21	502311	58	504641	59
234303	48	251605	46	308104	109	416301P	20	4252MR	77	436330P	20	5010U	21	502313	58	504642	59
234304	48	251609	46	308105	109	416310N	20	4252R	77	436340N	20	501101	64	502401	58	504643	59
234401	48	253101	47	309101	110	416310P	20	4253	77	436340P	20	501102	64	502405	58	505101	61
235101	49	253102	47	309102	110	416320N	20	4254	77	4510F	19	501103	64	502409	58	505102	61
235104	49	253103	47	3410U	19	416320P	20	4254D	78	4520F	19	501104	64	502410	58	505103	61
235105	49	253104	47	3420P,3420N	19	416330N	20	4254D	79	4530F	19	5013P	27	502411	58	505104	61
235110	49	253201	47	3430U	19	416330P	20	4254M	77	4801F	19	5014P	27	502413	58	505105	61
235210	49	253202	47	3440P	19	416340N	20	4254MR	77	4801H	19	5015N	27	502601	59	505106	61
235250	49	253203	47	3710U	19	416340P	20	4254R	77	4802F	19	5020N	21	502602	59	505107	61
235301	49	253204	47	3720P,3720N	19	420178	110	4255	77	4802H	19	5020P	21	502621	59	505110	61
235310	49	2599	69	3730U	19	420179	110	4255D	78	4804E	19	5020U	21	502622	59	505201	61
235401	49	270101	49	3740P	19	420183	81	4255D	79	4804F	19	502101	58	502900	59	505202	61
235901	49	270102	49	4001N	18	420184	82	4255K	78	4804H	19	502102	58	502901	59	505203	61
236200	46	270103	49	4001P	18	420186	81	4255M	77	4806E	19	502103	58	502902	59	505204	61
236201	46	270104	49	4002N	18	420187	81	4255MR	77	4806F	19	502104	58	502903	59	505205	61
236202	46	270105	49	4002P	18	420188	81	4255R	77	4808E	19	502110	58	502904	59	505206	61
236203	46	270107	49	4002U	18	420189	81	4255UDA	79	4808F	19	502111	58	5030N	21	505207	61
236204	46	301300	73	4004N	18	420190	81	4255UDB	79	4808H	19	502112	58	5030P	21	505208	61
236205	46	301302	73	4004P	18	420191	35	4255UDK	78	4810F	19	502113	58	5030U	21	505210	61
236206	46	302101	111	4004U	18	420192	81	4257	78	4810H	19	502121	58	503151	61	505301	61
236209	46	302102	111	4006N	18	420193	81	4258	77	4820F	19	502122	58	503152	61	505302	61
236300	46	302103	111	4006P	18	4201N	18	4258M	77	4820H	19	502123	58	503153	61	505303	61
236301	46	302104	111	4006U	18	4201P	18	4258MR	77	4830F	19	502124	58	503154	61	505304	61
236302	46	302105	111	400801	9	420201	78	4258R	77	4830H	19	502131	58	503155	61	505306	61
236303	46	302106	111	400802	9	420221	78	4260N	18	4840F	19	502132	58	503156	61	505900	81
236304	46	302107	111	4008N	18	420222	78	4260P	18	4840H	19	502133	58	503251	61	506390	61
236305	46	302109	111	4008P	18	420223	78	426301N	20	4860F	19	502134	58	503252	61	506391	61
236306	46	302112	111	4008U	18	420224	78	426301P	20	4860H	19	502141	58	503253	61	506590	61
236309	46	302116	111	4010N	18	420230	78	426310N	20	486301F	20	502142	58	503254	61	506591	61
236400	46	302117	111	4010P	18	420241	78	426310P	20	486301H	20	502143	58	503255	61	5066P	26
236401	46	302118	111	4020N	18	4202N	18	426320N	20	486304F	20	502144	58	503256	61	506701	60
236402	46	302120	111	4020P	18	4202P	18	426320P	20	486304H	20	502145	58	5040N	21	506702	60
236403	46	302121	111	4020PA	18	4204N	18	426330N	20	486310F	20	502146	58	5040P	21	506703	60
236404	46	302122	111	402101	130	4204P	18	426330P	20	486310H	20	502150	58	5040U	21	506704	60
236405	46	302123	111	402104	130	420500	79	426340N	20	486320F	20	502155	58	504401	59	506711	60
236406	46	302124	111	4030N	18	420501	79	426340P	20	486320H	20	502160	58	504402	59	506712	60
236409	46	302125	111	4030P	18	420506	79	4265D	77	486330F	20	502201	58	504403	59	506713	60
236500	46	302126	111	403102	13	420507	79	4265M	77	486330H	20	502202	58	504404	59	506714	60
236501	46	302201	111	403103	13	420529	79	4266	78	486340F	20	502203	58	504405	59	506790	61
236502	46	302202	111	403105	13	420550	79	4271	86	486340H	20	502204	58	504406	59	5067N	26
236503	46	302203	110	4040N	18	420579	79	4272	86	4901F	19	502205	58	504407	59	507101	59
236504	46	302203	111	4040P	18	420580	118	4273	86	4901H	19	502206	58	504408	59	507110	59
236505	46	302204	111	4060N	18	420581	118	4275	80	4902F	19	502207	58	504409	59	507201	49
236506	46	303100	85	4060P	18	420582	118	4277	86	4902H	19	502208	58	504421	59	507211	49
236509	46	303101	84	406301N	20	420583	118	4278	86	4904F	19	502209	58	504422	59	5088U	26
251300	46	303103	84	406301P	20	420584	118	4280	86	4906F	19	502210	58	504423	59	509101	36
251301	46	303104	84	406304N	20	420585	118	4285	80	4910F	19	502211	58	504424	59	509102	36
251302	46	303105	84	406304P	20	420590	118	4285M	80	4910H	19	502212	58	504425	59	509103	36
251303	46	303110	85	406310N	20	420591	118	4287	80	4920F	19	502221	58	504427	59	509104	36
251304	46	303115	85	406310P	20	4206N	18	4287M	80	4920H	19	502222	58	504429	59	509105	36
251305	46	303118	84	406320N	20	4206P	18	4288	80	4930F	19	502223	58	504431	59	509106	36
251306	46	303125	85	406320P	20	4210N	18	4301N	18	4930H	19	502224	58	504501	59	509107	36
251309	46	303130	85	406330N	20	4210P	18	4301P	18	4940F	19	502231	58	504502	59	509108	36
251400	46	303135	85	406330P	20	4215	80	4302N	18	4940H	19	502232	58	504503	59	509109	36
251401	46	303136	85	406340N	20	4216	80	4302P	18	5002N	21	502233	58	504504			

Part No.	Pg.	Part No.	Pg.	Part No.	Pg.	Part No.	Pg.	Part No.	Pg.	Part No.	Pg.	Part No.	Pg.	Part No.	Pg.		
509122	36	509412	37	510160-004	123	5220P	21	5658R	60	5728R	62	5952DV	25	5958EV	25	6025	28
509123	36	509413	37	510160-005	123	5230N	21	5659B	60	5729B	62	5952E	25	5958F	25	602500	101
509124	36	509414	37	510160-035	123	5230P	21	5659C	60	5729R	62	5952EL	25	5958FL	25	602510	101
509125	36	509418	37	510170-025	117	5302N	21	5659R	60	5730B	62	5952EV	25	5958FV	25	602520	101
509126	36	509421	37	510171-008	117	5302P	21	5660B	60	5730R	62	5952F	25	5958H	25	602530	101
509127	36	509422	37	510171-025	117	5302U	21	5660C	60	5732B	63	5952FL	25	5958HL	25	602540	101
509128	36	509423	37	510190	116	5304N	21	5660R	60	5732R	63	5952FV	25	5958HV	25	602550	101
509129	36	509424	37	510191	116	5304P	21	5661B	60	5733B	63	5952H	25	6000	29	602560	100
509130	36	509503	37	510192	116	5304U	21	5661C	60	5733R	63	5952HL	25	6002	29	602560	101
509131	36	509601	38	510195	116	5310N	21	5661R	60	5734B	62	5952HV	25	6006	29	602562	100
509132	36	509602	38	510198	116	5310P	21	5662B	60	5734R	62	5953D	25	6007	28	602563	100
509133	36	509605	38	510200	125	5310U	21	5662C	60	5735B	62	5953DL	25	6008	28	602564	100
509150	36	509606	38	510201	125	5320N	21	5662R	60	5735R	62	5953DV	25	6011	29	602565	100
509150	36	509611	38	510221	125	5320P	21	5663B	60	5736B	62	5953E	25	6014	29	602570	101
509151	36	509612	38	510222	125	5320U	21	5663C	60	5736R	62	5953EL	25	6015	29	602580	101
509151	36	509621	38	510223	125	5330N	21	5663R	60	5737B	62	5953EV	25	6016B	29	602580	101
509152	36	509631	38	510224	125	5330P	21	5664B	60	5737R	62	5953F	25	6016R	29	602585	101
509152	36	509640	38	510225	125	5330U	21	5664R	60	5738B	62	5953FL	25	6019	29	602585	101
509153	36	509641	38	510226	125	5340N	21	5665B	60	5738R	62	5953FV	25	602005	99	602590	101
509153	36	509642	38	510227	125	5340P	21	5665R	60	5741B	63	5953H	25	602007	99	602590	101
509154	36	509643	38	510228	125	5340U	21	5666B	60	5741R	63	5953HL	25	602010	99	602600	101
509154	36	509643	57	510229	125	5349N	27	5666R	60	5743B	63	5953HV	25	602020	99	602610	101
509155	36	509650	38	510230	125	5350P	27	5667B	60	5743R	63	5954D	25	602021	99	602620	101
509155	36	509660	38	510240	125	5502U	27	5667R	60	5745B	63	5954DL	25	602030	99	602630	101
509156	36	509661	37	510241	125	5505	53	5668B	60	5745BLU	63	5954DV	25	602035	99	602640	101
509156	36	509665	37	510242	125	5506U	27	5668R	60	5745R	63	5954E	25	602036	99	602700	99
509157	36	509666	37	510250	118	5507U	27	5669B	60	5747B	63	5954EL	25	602040	99	602705	99
509157	36	509668	39	510251	118	5510U	27	5669R	60	5747BLU	63	5954EV	25	602045	99	6029	28
509170	36	509669	39	5102N	21	5512	28	5670B	60	5747R	63	5954F	25	602050	99	604049	89
509183	36	509670	39	5102P	21	5513	28	5670R	60	5749B	63	5954FL	25	602055	99	604049	98
509184	36	509671	39	510330	125	5514	28	5671B	60	5749BLU	63	5954FV	25	602060	99	604050	89
509185	36	509675	39	510331	65	5515	28	5671R	60	5749R	63	5954H	25	602065	99	604050	97
509186	36	509676	39	510332	65	5516P	27	5672B	60	5773B	62	5954HL	25	602070	99	604051	89
509187	36	509677	39	510335	118	5516R	27	5672R	60	5773R	62	5954HV	25	602071	99	604051	97
509188	36	509678	39	510336	125	5517N	27	5673B	60	5774B	63	5955D	25	602072	99	604053	89
509189	36	509680	39	510337	125	5517P	27	5673R	60	5774R	63	5955DL	25	602080	101	604053	96
509201	36	509681	39	510338	125	5518B	27	5702B	62	5775B	62	5955DV	25	602085	101	604055	89
509202	36	509685	39	510340	125	5518N	27	5702R	62	5775R	62	5955E	25	602086	101	604055	95
509203	36	509686	39	510346	122	5519	28	5704B	62	5777B	63	5955EL	25	602100	101	604061	102
509204	36	509687	39	510400	120	5520	28	5704R	62	5777R	63	5955EV	25	602110	101	604063	88
509205	36	509688	64	510410	120	5530	86	5705B	63	5778B	62	5955F	25	602120	101	604063	94
509206	36	509690	39	510420	119	5531	86	5705R	63	5778R	62	5955FL	25	602140	101	604081	88
509207	36	509691	39	510430	119	5532	86	5707B	63	5779B	62	5955FV	25	602145	101	604081	100
509208	36	509692	39	510440	119	5533	86	5707R	63	5779R	62	5955H	25	602160	101	604082	88
509209	36	509693	39	510450	119	5534	86	5709B	63	5802F	21	5955HL	25	602170	101	604082	100
509221	36	509695	39	510470	68	5535	86	5709R	63	5802H	21	5955HV	25	6022	120	604083	89
509222	36	509696	39	5104N	21	5536	86	5710B	63	5804F	21	5956D	25	602200	101	604083	97
509223	36	509697	39	5104P	21	5537	86	5710R	63	5804H	21	5956DL	25	602203	101	604084	89
509224	36	509698	39	510500	124	5566U	26	5711B	63	5806F	21	5956DV	25	602205	101	604084	96
509225	36	509699	38	510501	124	5567N	27	5711R	63	5806H	21	5956E	25	602220	101	604089	102
509226	36	509701	37	510502	124	5567P	27	5712B	63	5810F	21	5956EL	25	602222	101	604090	102
509230	36	509702	37	510520	124	5571	86	5712R	63	5810H	21	5956EV	25	602224	101	604094	89
509231	36	509710	39	510520	125	5572	86	5713B	63	5820F	21	5956F	25	602226	101	604094	95
509232	36	509711	39	510521	124	5574	86	5713R	63	5820H	21	5956FL	25	602260	101	604095	102
509233	36	509713	38	510522	124	5577U	26	5718B	62	5830F	21	5956FV	25	602270	101	604100	88
509240	36	509714	38	510900	121	5588B	26	5718R	62	5830H	21	5956H	25	602271	101	604100	93
509240	57	509716	39	510901	121	5588R	26	5719B	62	5840F	21	5956HL	25	602280	101	604101	88
509245	36	509717	39	510902	121	5588U	26	5719R	62	5840H	21	5956HV	25	602281	101	604101	93
509245	57	510130-000	117	5110N	21	5611B	60	5720B	62	5950C	25	5957D	25	602282	101	604105	88
509298	37	510130-001	117	5110P	21	5612R	60	5720R	62	5950D	25	5957DL	25	6023	120	604105	93
509299	37	510130-005	117	5120N	21	5613B	60	5721B	62	5950DL	25	5957DV	25	602310	101	604106	88
509300	37	510130-030	117	5120P	21	5614R	60	5721R	62	5950DV	25	5957E	25	602320	101	604106	93
509301	37	510135-002	117	5130N	21	5615B	60	5722B	62	5950E	25	5957EL	25	602330	101	604110	88
509302	37	510140-005	123	5130P	21	5616R	60	5722R	62	5950F	25	5957EV	25	602332	101	604110	92
509303	37	510140-035	123	520109	125	5617B	60	5723B	62	5950H	25	5957F	25	602340	101	604115	88
509304	37	510142-001	123	520110	125	5618R	60	5723R	62	5951C	25	5957FL	25	602345	101	604115	92
509305	37	510145	119	520111	125	5619B	60	5724B	62	5951D	25	5957FV	25	602350	101	604120	88
509306	37	510145-001	123	520112	125	5619R	60	5724R	62	5951DL	25	5957H	25	602360	101	604120	92
509307	37	510145-004	123	5202N	21	5651B	60	5725B	63	5951DV	25	5957HL	25	602370	101	604200	102
509308	37	510145-012	123	5202P	21	5651R	60	5725R	63	5951E	25	5957HV	25	602380	101	6053	28
509401	37	510146	120	5204N	21	5657B	60	5726B	63	5951F	25	5958D	25	602390	101	6054	28
509402	37	510147-001	123	5204P	21	5657C	60	5726R	63	5951H	25	5958DL	25	6024	28	6055	28
509403	37	510148-001	122	5210N	21	5657R	60	5727B	62	5952C	25	5958DV	25	602400	101	6106	21
509404	37	510156	122	5210P	21	5658B	60	5727R	62	5952D	25	5958E	25	602410	101	6104	21
509411	37																

Part No.	Pg.	Part No.	Pg.	Part No.	Pg.	Part No.	Pg.	Part No.	Pg.	Part No.	Pg.	Part No.	Pg.	Part No.	Pg.		
6110	21	6410F	22	6623R	122	730234	53	7754	52	800104-001	56	850109P	26	8901F	23	9944	129
6120	21	6410FL	22	6623R	122	730237	53	7755	52	800105-001	56	850112	27	8901H	23	9945	129
6130	21	6410FV	22	6626B	122	730242	53	7756	52	800106-001	56	850113	27	8904D	23	9946	129
6140	21	6410H	22	6628B	122	730248	53	7780	52	800107-001	56	850115	28	8904E	23	9947	8
6150	35	6410HHL	22	6649	25	730252	53	7781	52	800108-001	56	850116	28	8904F	23	9950	14
6151	35	6410HV	22	6650	25	730265	53	7782	52	800121	57	850118	27	8904H	23	9957	10
6152	35	6420D	22	6651	25	730272	53	7783	52	800122	57	850119	27	8910D	23	9961	15
6153	35	6420E	22	6652	25	7320	53	7786	52	800123	57	850120D	26	8910E	23	9962	15
6154	35	6420F	22	6653	25	7325	53	7787	52	800124	57	850120E	26	8910F	23	9967	11
6155	35	6420FL	22	6654	25	7330	53	7788	52	800125	57	850120F	26	8910H	23	9973	15
6156	35	6420FV	22	6655	25	7335	53	7789	52	800140	57	850120H	26	8920D	23	9974	15
6157	35	6420H	22	6656	25	7340	53	7801	52	800141	57	850130D	26	8920E	23	9993	8
6158	35	6420HL	22	6657	25	7345	53	7802	52	800150	57	850130E	26	8920F	23	9994	7
6159	35	6420HV	22	6698B	29	7350	53	7803	52	800160	57	850130F	26	8920H	23	9995	6
6160	35	6430D	22	6698R	29	7355	53	7804	52	800190	57	850130H	26	8930D	23	9997-097	11
6161	35	6430E	22	670144	39	7360	53	7851	52	800191	57	850140D	26	8930E	23	9998	7
6162	35	6430F	22	670177	39	7365	53	7852	52	800200	57	850140E	26	8930F	23	9999	6
6163	35	6430FL	22	670178	39	7401	55	7853	52	800201	57	850140F	26	8930H	23	HSDP	130
6164	35	6430FV	22	6701T	29	7403	55	7854	52	800202	57	850140H	26	8940D	23		
6165	35	6430H	22	6703	29	7404	55	7855	52	800300	127	850150	27	8940E	23		
6166	35	6430HL	22	6704	29	7405	55	7856	52	800301	127	850151	27	8940F	23		
6167	35	6430HV	22	6706	29	7410	53	7901	55	800302	127	850160	27	8940H	23		
6168	35	6440D	22	6708	29	7415	53	7903	55	8010	53	850161	27	9063	13		
6169	35	6440E	22	6712	29	7420	53	7905	55	8012	53	850211N	26	9103	9		
6190	13	6440F	22	6733	29	7425	53	7910F	50	8015	53	850211P	26	9125	9		
6201E	22	6440FL	22	6734	29	7430	53	7910H	50	8020	53	850220D	26	9220N	51		
6201F	22	6440FV	22	6753	29	7435	53	7910N	50	8024	53	850220E	26	9220P	51		
6204E	22	6440H	22	6756	29	7440	53	7910P	50	8027	53	850220F	26	9222U	51		
6206E	22	6440HL	22	6758	29	7445	53	7915F	50	8030	53	850220H	26	9510	51		
6210F	22	6440HV	22	6801	22	7450	53	7915H	50	8034	53	850230D	26	9511U	51		
6220F	22	645250	23	6804	22	7460	53	7915N	50	8037	53	850230E	26	9603	51		
6230F	22	645251	23	6810	22	7501	52	7915P	50	8042	53	850230F	26	9606	51		
6240F	22	645252	23	6820	22	7502	52	7920F	50	8048	53	850230H	26	9609N	51		
6308F	22	645260	23	6830	22	7503	52	7920H	50	8052	53	850240D	26	9609P	51		
6309F	22	645261	23	6840	22	7504	52	7920N	50	8058	53	850240E	26	9900	12		
6310F	22	645262	23	6994	69	7505	52	7920P	50	8065	53	850240F	26	9901	12		
6311F	22	645280	23	6995	69	7506	52	7925F	50	8072	53	850240H	26	990121	130		
6312F	22	645281	23	7001	55	7510	53	7925H	50	8078	53	850250	28	990122	130		
6313F	22	645282	23	7003	55	7515	53	7925N	50	8112	53	850350	28	990122	130		
6314F	22	645290	23	7005	55	7520	53	7925P	50	8115	53	8510	53	990123	130		
6318F	22	645291	23	7010	53	7525	53	7930F	50	8120	53	8515	53	990123	130		
6319F	22	645292	23	7012	53	7530	53	7930H	50	8124	53	8520	53	990124	130		
6320F	22	645300	23	7015	53	7535	53	7930N	50	8127	53	8525	53	990124	130		
6321F	22	645301	23	7020	53	7540	53	7930P	50	8130	53	8530	53	990126	130		
6322F	22	645302	23	7024	53	7545	53	7935F	50	8134	53	8535	53	990127	130		
6323F	22	645320	23	7027	53	7550	53	7935H	50	8137	53	8540	53	990128	130		
6324F	22	645321	23	7030	53	7580	52	7935N	50	8142	53	8545	53	990129	130		
6401D	22	645322	23	7034	53	7581	52	7935P	50	8148	53	8550	53	990130	130		
6401E	22	645330	23	7037	53	7582	52	7940F	50	8152	53	8555	53	990131	130		
6401F	22	645331	23	7042	53	7583	52	7940H	50	8158	53	8801D	23	990132	130		
6401FL	22	645332	23	7048	53	7586	52	7940N	50	8165	53	8801E	23	990133	130		
6401FV	22	645370	23	7052	53	7587	52	7940P	50	8172	53	8801F	23	990170	113		
6401H	22	645371	23	7058	53	7588	52	7945F	50	8178	53	8801H	23	990171	113		
6401HL	22	645372	23	7065	53	7589	52	7945H	50	8320	53	8804D	23	990172	113		
6401HV	22	6510F	22	7072	53	7601	52	7945N	50	8325	53	8804E	23	990173	113		
6404D	22	6520F	22	7078	53	7602	52	7945P	50	8330	53	8804F	23	990174	113		
6404E	22	6530F	22	7101	55	7603	52	800001-001	56	8335	53	8804H	23	990175	113		
6404F	22	6540F	22	7103	55	7604	52	800002-001	56	8340	53	8810D	23	990176	113		
6404FL	22	6621	122	7105	55	7625N	50	800003-001	56	8345	53	8810E	23	990177	113		
6404FV	22	6621B	122	7112	53	7626P	50	800004-001	56	8350	53	8810F	23	990190	113		
6404H	22	6621B	122	7115	53	7630N	50	800005-001	56	8355	53	8810H	23	9902	9		
6404HL	22	6621B	122	7120	53	7631P	50	800006-001	56	8360	53	8820D	23	990211	113		
6404HV	22	6621R	122	7124	53	7651	52	800007-001	56	8365	53	8820E	23	990221	113		
6406D	22	6621R	122	7127	53	7652	52	800008-001	56	8410	53	8820F	23	9903	12		
6406E	22	6621R	122	7130	53	7653	52	800021	57	8415	53	8820H	23	9906	9		
6406F	22	6622	122	7134	53	7654	52	800022	57	8420	53	8830D	23	9908	9		
6406FL	22	6622B	122	7137	53	7655	52	800023	57	8425	53	8830E	23	9910	9		
6406FV	22	6622B	122	7142	53	7656	52	800024	57	8430	53	8830F	23	9920	10		
6408D	22	6622B	122	7148	53	7701	52	800025	57	8435	53	8830H	23	9921	10		
6408E	22	6622R	122	7152	53	7702	52	800040	57	8440	53	8840D	23	9930	9		
6408F	22	6622R	122	7158	53	7703	52	800041	57	8445	53	8840E	23	9931	9		
6408FL	22	6622R	122	7165	53	7704	52	800049	57	8450	53	8840F	23	9932	9		
6408FV	22	6623	122	7172	53	7751	52	800101-001	56	8455	53	8840H	23	9940	68		
6410D	22	6623B	122	7178	53	7752	52	800102-001	56	850105	26	8901D	23	9942	68		
6410E	22	6623B	122	730224	53	7753	52	800103-001	56	850109N	26	8901E	23	9943	129		

# Product Index

3-in-1 brush 83  
3-way connectors 27  
5 piece professional battery tool kit 83  
8D bus bar terminal 69  
12-Volt digital battery resistance tester 84  
900 amp solid copper clamps 99  
A-frame handle 75  
Absorbent pillows for containment systems 115  
Absorbent socks for containment systems 115  
Absorber and neutralizer for acid spills 115  
Acid absorbent pillows and socks for containment systems 115  
Acid absorbing mats 117  
Acid containment pallets 118  
Acid-resistant cable ties 58  
Acid spill absorber and neutralizer 117  
Acid spill absorber – EZ-Zorber 117  
Adapter bushings 28  
Adapter for JIS (pencil post) 28  
Add-on connectors 19  
Adjustable, close quarters, ratcheting MCM cutter 80  
Aero connection kits 100  
All vehicle starter kits 6  
Analog battery load analyzer 84  
Analog battery load tester 84  
Angled battery pliers 83  
Automotive battery cleaner 122  
Automotive battery connectors 26  
Automotive battery tester 85  
Automotive booster cables 101  
B-Crimping tool 77  
Base mounts for battery boxes 111  
Battery acid absorbing mats 117  
Battery acid floor, counter, and golf cart mats 117  
Battery acid spill kits 116  
Battery box vent kit 106  
Battery boxes 103-107  
Battery boxes – 6-volt series 106  
Battery boxes – auto, light truck, marine, and RV 104  
Battery boxes – commercial 107  
Battery boxes – non-sealed aluminum 105  
Battery boxes – sealed aluminum 105  
Battery boxes – sportsman style 104  
Battery cable 42, 43  
Battery cable – fine-stranded 42  
Battery cable – SGX 43  
Battery cable – standard 42  
Battery cable – UL marine 43  
Battery cap tool 65  
Battery carriers 83  
Battery chargers – solar powered 127  
Battery cleaner – automotive 122  
Battery cleaner – industrial 123  
Battery cleaners 119  
Battery connectors 26  
Battery corrosion preventatives 120  
Battery disposal bags 118  
Battery inverters 128  
Battery isolators 126  
Battery jumpers 52  
Battery maintenance kits 121  
Battery maintenance tools 82, 83  
Battery maintenance tools – 3-in-1 brush 83  
Battery maintenance tools – 5 piece professional battery tool kit 83  
Battery maintenance tools – angled battery pliers 83  
Battery maintenance tools – battery carriers 83  
Battery maintenance tools – circuit tester 82  
Battery maintenance tools – clamp connector lifter 83  
Battery maintenance tools – clamp spreader/reamer 83  
Battery maintenance tools – filler bulb/filler jug 82  
Battery maintenance tools – hydrometers 82  
Battery maintenance tools – post terminal brush 83  
Battery maintenance tools – power brush 82  
Battery maintenance tools – safety glasses 82  
Battery maintenance tools – side terminal brush 82  
Battery maintenance tools – side terminal ratchet wrench 82  
Battery on/off switch 110  
Battery post shims 28  
Battery rack 113  
Battery rack complete cable kit 113  
Battery rack enclosure 113  
Battery rack seismic kit 113  
Battery reconditioner paint – black 119  
Battery terminal adapter – bushings 28  
Battery terminal adapter – bolts and nuts 28  
Battery terminal adapter – for JIS (pencil post) 28  
Battery terminal adapter – post shims 28  
Battery terminal adapter – SAE to pencil post conversion 28  
Battery terminal adapter – side terminal-to-post conversion 28  
Battery terminal adapter – specialty terminal with pole-to-top post 28

Battery terminal adapter – stud-to-post conversion 28  
Battery terminal adapter – top post-to-side terminal connectors 28  
Battery terminal protection kit 120  
Battery terminal wipes 122  
Battery testers 84, 85  
Battery testers – 12-Volt digital battery resistance tester 84  
Battery testers – analog battery load analyzer 84  
Battery testers – analog battery load 84  
Battery testers – automotive battery 85  
Battery testers – digital volt meter 84  
Battery testers – multi-charging bus bar 84  
Battery testers – options for testers 85  
Battery testers – SLA powerport battery 85  
Battery testers – system 85  
Battery trays – polyethylene and vinyl-coated steel 111  
Battery trays and drip pans 108  
Battery vent caps 65  
Battery wash water treatment 123  
Battery washers 122  
Bayonet vent cap 65  
Black battery reconditioner paint 119  
Bolts and nuts for adapters 28  
Booster cables 101  
Booster cables – automotive 101  
Booster cables – clamp-to-plug booster cables 101  
Booster cables – heavy duty booster cables 101  
Booster cables – iStart booster cables 101  
Booster cables – medium duty booster cables 101  
Booster cables – plug-to-plug booster cables 101  
Booster cables – plug-to-lug booster cables 101  
Booster cables – twin conductor 49  
Booster clamps – four styles 99  
Braided ground straps 55  
Branch interconnects for renewable energy installations 56  
Brazed seam connectors 25  
Brute hammer crimper 78  
Burn bar – lead stick 69  
Bus bar – 8D terminal 69  
Bus bar – multi-charging 84  
Butane torch 86  
Cable and wire guide 40, 41  
Cable gauge 43  
Cable tie tool 59  
Cable ties – 58  
Cable ties – acid-resistant 58  
Cable ties – cold weather 58  
Cable ties – extra heavy duty 58  
Cable ties – fluorescent 58  
Cable ties – heavy duty 58  
Cable ties – I.D. 58  
Cable ties – intermediate 58  
Cable ties – low profile 58  
Cable ties – metal tab premium 6/6 58  
Cable ties – miniature 58  
Cable ties – mounting hole 58  
Cable ties – push mount 58  
Cable ties – releasable  
Cable ties – standard 58  
Cable tower 75  
Cables for automotive 53  
Cable for commercial and industrial equipment 50  
Cables with lead wires 53  
Caps - OEM style 64  
Carbon arcing cable assembly 68  
Chemical safety wear 125  
Charging clips – 6 styles 99  
Chemicals – automotive battery cleaner 122  
Chemicals – battery cleaners 119  
Chemicals – battery corrosion preventatives 120  
Chemicals – battery maintenance kits 121  
Chemicals – battery terminal protection kit 120  
Chemicals – battery terminal wipes 122  
Chemicals – battery wash water treatment 123  
Chemicals – battery washers 122  
Chemicals – black battery reconditioner paint 119  
Chemicals – clear silicone sealant 120  
Chemicals – glass and plastic cleaners 119  
Chemicals – industrial battery cleaner 123  
Chemicals – original red aerosol formula 120  
Chemicals – plastic and glass cleaners 119  
Chemicals – protective cleaners and sprays 120  
Chemicals – QuickCote+ with acid neutralizer 120  
Chemicals – stationary battery wipedown 123  
Chemicals – stationary battery wipes 123  
Circuit breakers 37  
Circuit tester 82  
Clamp connector lifter 83  
Clamp spreader/reamer 83  
Clamp-to-plug booster cables 101

Clamps – Nylon cable clamps 59  
Clamps – EPDM steel covered clamps 59  
Clamps – EPDM stainless steel covered clamps 59  
Clamps and grommets 59  
Clamps for booster cables 99  
Clear silicone sealant 120  
Clips 99  
Cold weather cable ties 58  
Color code system for cables 42  
Combiner boxes for renewable energy installations 57  
Complete cable kit for battery rack 113  
Components for renewable energy installations 56, 57  
Compression connectors 21  
Cone/thimble fasteners 70  
Cone/thimble kits 70  
Cone and thimble leadheads 70  
Cones and thimbles 70  
Cones – maintenance free 70  
Cones – standard lead 70  
Connector guide 16, 17  
Connector kits 9  
Connectors – 3-way 27  
Connectors – add-on 19  
Connectors – automotive battery 26  
Connectors – battery terminal adapters 28  
Connectors – brazed seam 25  
Connectors – compression 21  
Connectors – crimpable side terminal 19  
Connectors – fastener hardware 29  
Connectors – Fusion 20  
Connectors – Fusion heat-shrink butt connector kit 30  
Connectors – Fusion solder MagnaLugs 24  
Connectors – Gardian terminals 30  
Connectors – heavy duty battery 26  
Connectors – heavy wall copper lugs 19  
Connectors – heavy wall MCM lugs 23  
Connectors – intercell 69  
Connectors – lead free battery 26  
Connectors – MagnaLug inverter 129  
Connectors – MagnaLugs 22  
Connectors – MagnaLugs industrial style 23  
Connectors – marine 27  
Connectors – MAX lugs 25  
Connectors – military style 27  
Connectors – non-insulated solderless terminals 35  
Connectors – nylon terminals 34  
Connectors – nylon terminals 31  
Connectors – PVC terminals 32, 33  
Connectors – quick 18  
Connectors – quick disconnect 27  
Connectors – retrofit and in-line dual cable 22  
Connectors – right angle heavy duty 27  
Connectors – set screw 27  
Connectors – solder, flux, and paste 86  
Connectors – solder pellets 86  
Connectors – specialty terminals and connectors 34  
Connectors – stud terminal/stud flag stackable and locking 19  
Connectors – tie bolt 27  
Connectors – weather pack 35  
Connectors – wire nuts for copper wire 34  
Containment system kits for battery racks 114  
Containment system QuickFigurator 115  
Containment systems 114  
Containment systems – absorbent pillows and socks 115  
Containment systems – epoxy paint 115  
Containment systems – floor primer 115  
Containment systems – liner clip 114  
Containment systems – PVC liner 114  
Containment systems – PVC rails and corners 114  
Containment systems – silicone caulk 115  
Containment systems – spray adhesive 115  
Containment systems – stainless steel rails and corners 114  
Continuous loop and trunk kits 49  
Control cable 48  
Control cable – multi-conductor flat jacketed 47  
Control cable – parallel bonded 47  
Control cable – portable cord and booster cable 49  
Control cable – SEOW 48  
Control cable – TC 48  
Corrosion preventatives for batteries 120  
Crimpable side terminal connectors 19  
Crimp thimble 70  
Crimper – brute hammer 78  
Crimper – cub 78  
Crimper – MAX lug 77  
Crimper – service parts 78  
Crimpers 76-79  
Cub crimper 78  
Cup jumpers/formation cables 28

Custom braided ground straps 55  
 Custom leadhead assemblies 66  
 Cutter/stripper with pliers 81  
 Cutters 80  
 Deflectors for heat guns 86  
 Digital and analog testers 84, 85  
 Digital and analog testers – 12-Volt digital battery resistance 84  
 Digital and analog testers – analog battery load analyzer 84  
 Digital and analog testers – analog battery load 84  
 Digital and analog testers – automotive battery 85  
 Digital and analog testers – digital volt meter 84  
 Digital and analog testers – multi-charging bus bar 84  
 Digital and analog testers – SLA powerport battery 85  
 Digital and analog testers – system 85  
 Digital volt meter 84  
 DIN handle kit 75  
 DIN manual release 75  
 Disposable gloves 125  
 Disposal bags for batteries 118  
 DLO RHH/RHW cable 45  
 Drawers – storage 12  
 Drill - leadhead 68  
 Drip pans 108  
 EBC/DIN battery connector kit 74  
 ECM/ECU/PCM memory saver cables 102  
 Econ-O-Flip vent cap 65  
 Electrician's automatic wire stripper 81  
 Enclosure for battery rack 113  
 EPDM stainless steel covered clamps 59  
 EPDM steel covered clamps 59  
 Epoxy paint for containment systems 115  
 Expandable sleeving 61  
 Extra heavy duty cable ties 58  
 Eyewash – portable station 124  
 Eyewash – Quick emergency eye and skin wash 124  
 EZ-Zorber 117  
 Fastener hardware for battery applications 29  
 Fast charge leadheads 71  
 Field repair and garage kits 10, 11  
 Filler bulb/filler jug 82  
 Fine-stranded battery cable 42  
 Flameless heat guns 86  
 Flashlight/worklight 102  
 FlexTube 60  
 Floor primer for containment systems 115  
 Fluorescent cable ties 58  
 Ford truck positive cables 53  
 Formation cables/cup jumpers 69  
 Fuse box 37  
 Fuse holders and pullers 37, 38  
 Fuse holders/block kits 37  
 Fuse kits 36  
 Fuses 36, 37  
 Fuses and accessories – holders and pullers 37, 38  
 Fuses and accessories – holders/block kits 37  
 Fuses and accessories – jumpstart connector conductor posts 38  
 Fuses and accessories – jumpstart connector plugs 38  
 Fuses and accessories – junction block surface mounts 39  
 Fuses and accessories – terminal bus bar 39  
 Fuses and accessories – power distribution post – 8 point 39  
 Fuses and accessories – power distribution post – single point 39  
 Fuses and accessories – panel bushings 39  
 Fusion connectors 20  
 Fusion heat-shrink butt connector kit 30  
 Fusion solder MagnaLug connectors 24  
 Fusion solder thimble 70  
 Gardian solderless terminals 30  
 Glass and plastic cleaners 119  
 Golf cart best cable series – 4 gauge 54  
 Golf cart better cable series – 6 gauge 54  
 Golf cart cables 54  
 Golf cart cable sets 54  
 Golf cart kits 12  
 Grommets – rubber 59  
 Grommets and clamps 59  
 GTP general purpose wire 46  
 Guide for connectors 16, 17  
 Heat guns 86  
 Heat guns – butane torch 86  
 Heat guns – deflectors 86  
 Heat guns – flameless 86  
 Heat guns – QuickHeat 1 86  
 Heat guns – QuickHeat 2 86  
 Heat-shrink tube 60  
 Heat-shrink tube kits 61  
 Heat-shrink tube – FlexTube 60  
 Heat-shrink tube – MagnaTube 60  
 Heat-shrink tube – PrimaryTube 60  
 Heat-shrink tube – SpliceTube 60  
 Heavy duty battery connectors 26  
 Heavy duty booster cables 101  
 Heavy duty cable ties 58  
 Heavy duty cutter/crimper 81  
 Heavy duty ratchet crimper 81  
 Heavy duty replacement strap for battery boxes 110  
 Heavy duty starter kits 7  
 Heavy wall copper lug connectors 19  
 Heavy wall MCM lug connectors 23  
 HexCrimp pneumatic 79  
 High profile vent cap 65  
 Hold-down bolt sets 111  
 Hold-down rods for golf carts 111  
 Hold-downs for battery boxes 110, 111  
 Hold-downs for battery boxes – base mounts 111  
 Hold-downs for battery boxes – battery on/off switch 110  
 Hold-downs for battery boxes – bolt sets 111  
 Hold-downs for battery boxes – heavy duty replacement strap 110  
 Hold-downs for battery boxes – mounting brackets for commercial 110  
 Hold-downs for battery boxes – QuickHold adjustable 111  
 Hold-downs for battery boxes – rods for golf carts 111  
 Hold-downs for battery boxes – securing parts for 4D, 8D, and dual 6V 110  
 Home run jumpers for renewable energy installations 57  
 Hydrometers 82  
 I.D. cable ties 58  
 In-cab charging cord 102  
 Industrial battery cleaner 123  
 In-line fuses for renewable energy installations 57  
 Intercell connectors 69  
 Intercell shroud 69  
 Intermediate cable ties 58  
 Inverter installation kit 129  
 Inverter remote starter 128  
 Inverters 128  
 Inverters – pure sine wave 128  
 Inverters – modified sine wave 128  
 Isolator installation kit 126  
 Isolators 126  
 iStart 96  
 iStart booster cables 101  
 Jacketed marine wire 47  
 Jumpstart connector conductor posts 38  
 Jumpstart connector plugs 38  
 Junction block surface mounts 39  
 KitFigurator 8  
 Kits – all vehicle starter 6  
 Kits – battery acid spill 116  
 Kits – battery maintenance 121  
 Kits – battery terminal protection 120  
 Kits – complete cable for battery rack 113  
 Kits – connector 9  
 Kits – containment system for battery racks 112  
 Kits – EBC/DIN battery connector 74  
 Kits – field repair and garage 10, 11  
 Kits – Fuses 36  
 Kits – Fusion heat-shrink butt connector 30  
 Kits – golf cart 12  
 Kits – heat-shrink tube 61  
 Kits – heavy duty starter 7  
 Kits – inverter installation 129  
 Kits – isolator installation 126  
 Kits – medium and light duty starter 8  
 Kits – pallet strapping 118  
 Kits – premium nylon solderless 31  
 Kits – PVC solderless 33  
 Kits – relocation 109  
 Kits – Rescue aero connection 100  
 Kits – route service connector 13  
 Kits – SB connector 73  
 Kits – SBX auxiliary 74  
 Kits – SBX connector 74  
 Kits – seismic for battery rack 113  
 Kits – vent for battery boxes 104  
 Leadhead drill 68  
 Leadhead shrouds 71  
 Leadheads 66-68, 70, 71  
 Leadheads – cone and thimble 70  
 Leadheads – custom assemblies 66  
 Leadheads – fast charge 71  
 Leadheads – small bore 67  
 Leadheads – standard 67  
 Leadheads – universal 68  
 Lead free battery connectors 26  
 Lead stick burn bar 69  
 Lead straight jumpers 52  
 LED flashlight/worklight 102  
 Liner clip for containment systems 114  
 Low profile cable ties 58  
 Low profile vent cap 65  
 Machine tool wire 45  
 MagnaLug connectors 22  
 MagnaLug industrial style connectors 23  
 MagnaLug inverter connector 129  
 MagnaTube 60  
 Maintenance free cone 70  
 Marine battery cable 43  
 Marine connectors 27  
 Mats – acid absorbing 117  
 MAX lug connectors 25  
 MAX lug crimper 77  
 MCM cutter 80  
 Medium and light duty starter kits 8  
 Medium duty booster cables 101  
 Memory saver cables – ECM/ECU/PCM 102  
 Metal tab premium 6/6 cable ties 58  
 Military style connectors 27  
 Miniature cable ties 58  
 Mobile wire maintenance cart 15  
 Modified sine wave inverter 128  
 Mounting brackets for commercial battery boxes 110  
 Mounting hole cable ties 58  
 Mounting pads – nylon 59  
 Multiple battery trays and pans 106  
 Multi-charging bus bar 84  
 Multi-conductor flat jacketed cable 47  
 Neutralizer and absorber for acid spills 117  
 Non-insulated solderless terminals 35  
 Nylon cable clamps 59  
 Nylon mounting pads 59  
 Nylon solderless terminals 34  
 OEM style caps 64  
 Offset jumpers 52  
 Options for battery testers 85  
 Original red aerosol formula 120  
 Pallet strapping kits 118  
 Pallets – acid containment 118  
 Panel bushings 39  
 Parallel bonded cable 47  
 Plug-to-lug booster cables 101  
 Plastic and glass cleaners 119  
 Plug-to-plug booster cables 101  
 Plugs for portable cord 49  
 Portable bench mount tool 77  
 Portable cord and booster cable 49  
 Portable cord plugs 49  
 Portable eyewash station 124  
 Post mold 68  
 Post terminal brush 83  
 Power brush 82  
 Power distribution post – 8 point 39  
 Power distribution post – single point 39  
 Power pack accessories 102  
 Power pack accessories – ECM/ECU/PCM memory saver cables 102  
 Power pack accessories – in-cab charging cord 102  
 Power pack accessories – rechargeable LED flashlight/worklight 102  
 Power pack accessories – Rescue cart 102  
 Power packs 87-97, 100  
 Power packs – aero connection kits 100  
 Power packs – iStart 98  
 Power packs – Rescue automotive/powersport 95, 97  
 Power packs – Rescue extreme duty wheeled 92, 93  
 Power packs – Rescue heavy duty/commercial 94-96  
 Power packs – Rescue 900 and 910 97  
 Power packs – Rescue 950 97  
 Power packs – Rescue 1060 96  
 Power packs – Rescue 1220 aero 100  
 Power packs – Rescue 1800 96  
 Power packs – Rescue 2100 94  
 Power packs – Rescue 2420 aero 101  
 Power packs – Rescue 3000 95  
 Power packs – Rescue 3100 95  
 Power packs – Rescue 4000 series 93  
 Power packs – Rescue 4000HD series 93  
 Power packs – Rescue 5000-6000 series 92  
 Power packs – Rescue 5020 aero 92  
 Power packs – Rescue aero packs and cables 100  
 Power poles 73  
 Pre-made cable – battery jumpers 52  
 Pre-made cable – cables for automotive 53  
 Pre-made cable – cables with lead wires 53  
 Pre-made cable – commercial and industrial equipment 50  
 Pre-made cable – cones and thimbles 70  
 Pre-made cable – Ford truck positive cables 53  
 Pre-made cable – golf cart 54  
 Pre-made cable – lead straight jumpers 52  
 Pre-made cable – offset jumpers 52  
 Pre-made cable – quick harnesses 52  
 Pre-made cable – QuickLink 2/0 cable and jumpers 50



Pre-made cable – quick replacement ends 51  
 Pre-made cable – top post-to-side terminal cables 53  
 Pre-made cable – trailer; continuous loop and trunk kits 49  
 Premium nylon solderless terminals 31  
 Premium nylon solderless kit 31  
 PrimaryTube 60  
 Primary wire 46  
 Primary wire – GTP general purpose 46  
 Primary wire – SXL cross-linked polyethylene 46  
 Primary wire – TEW 46  
 Primary wire – UL marine 46  
 Primary wire tools 81  
 Primary wire tools – heavy duty cutter/crimper 81  
 Primary wire tools – cutter/stripper with pliers 81  
 Primary wire tools – standard cutter/crimper 81  
 Primary wire tools – wire stripper 81  
 Primary wire tools – electrician's automatic wire stripper 81  
 Primary wire tools – heavy duty ratchet crimper 81  
 Primary wire tools – wire loom cutting tool 81  
 Protective cleaners and sprays 120  
 Pure sine wave inverter 128  
 Push mount cable ties 58  
 PV connectors for renewable energy installations 57  
 PVC electrical and silicone tape 59  
 PVC liner for containment systems 114  
 PVC rails and corners for containment systems 114  
 PVC solderless connector kit 33  
 PVC solderless terminals 32, 33  
 QuickBox 6-volt series 106  
 QuickBox auto, light truck, marine, and RV 104  
 QuickBox by part number with dimensions 112  
 QuickBox commercial 107  
 QuickBox non-sealed aluminum 105  
 QuickBox relocation kits 109  
 QuickBox sealed aluminum 105  
 QuickBox sportsman style 103  
 QuickCote+ with acid neutralizer 120  
 QuickHeat 1 86  
 QuickHeat 2 86  
 QuickHeat guns 86  
 QuickHold adjustable battery hold-down 111  
 QuickLink 2/0 cable and jumpers 50  
 QuickStrip cable strippers 80  
 QuickStrip LS 78  
 Quick color code system 42  
 Quick connectors 18  
 Quick Crimp 76  
 Quick Crimp 100 76  
 Quick Crimp 250 76  
 Quick Crimp 250 Pro 76  
 Quick Crimp pneumatic 79  
 Quick crimpers 76-79  
 Quick cutters and strippers 78, 80  
 Quick Cutter 250 80  
 Quick Cutter 500 80  
 Quick emergency eye and skin wash 122  
 Quick harnesses 52  
 Quick disconnect connectors 27  
 Quick replacement ends 51  
 Racks – battery 113  
 Racks – storage 12  
 Racks – wire spool 15  
 Rechargeable LED flashlight/worklight 102  
 Relocation kit with box 109  
 Relocation kit without box – stud post 109  
 Relocation kit without box – top post 109  
 Relocation kits 109  
 Remote starter for inverters 128  
 Rescue 900 and 910 97  
 Rescue 950 97  
 Rescue 1060 96  
 Rescue 1220 aero 100  
 Rescue 1800 96  
 Rescue 2100 94  
 Rescue 2420 aero 100  
 Rescue 3000 95  
 Rescue 3100 95  
 Rescue 4000 series 93  
 Rescue 4000HD series 93  
 Rescue 5000-6000 series 92  
 Rescue 5020 aero 92  
 Rescue aero packs and cables 100  
 Rescue automotive/powersport 96, 97  
 Rescue battery acid containment systems 114  
 Rescue battery acid spill kits 116  
 Rescue booster clamps and accessories 99  
 Rescue booster cables 101  
 Rescue cart 102  
 Rescue extreme duty wheeled 92, 93

Rescue heavy duty/commercial 94-96  
 Rescue portable power packs 87-96, 100  
 Rescue power pack accessories 102  
 Rescue power pack accessories – ECM/ECU/PCM memory saver cables 102  
 Rescue power pack accessories – in-cab charging cord 102  
 Rescue power pack accessories – rechargeable LED flashlight/worklight 102  
 Rescue power pack accessories – Rescue cart 102  
 Rescue power pack comparison chart 88, 89  
 Retail program 130  
 Retrofit and in-line dual cable connectors 22  
 Right angle heavy duty brass terminal connectors 27  
 Route service connector kits 13  
 Rubber grommets 59  
 SAE to pencil post conversion adapter 28  
 Safety boots – SB and SBX 64  
 Safety glasses 82  
 Safety lockout 75  
 Safety wall signs 125  
 Safety wear 125  
 SB and SBX accessories 75  
 SB and SBX safety boots 64  
 SB connector contacts 72  
 SB connector housings 72  
 SB connector kits 73  
 SB connector – Weatherproof 300 amp 73  
 SB extraction tool 75  
 SB handle 75  
 SB lock box 75  
 SB manual releases 75  
 SBX auxiliary kit 74  
 SBX connector contacts 74  
 SBX connector housings 74  
 SBX connector kits 74  
 SBX manual releases 75  
 Securing parts – 4D/8D/dual 6V boxes 110  
 Seismic kit for battery rack 113  
 SEOW cable 48  
 Service parts for crimpers 78  
 Set screw connectors 27  
 SGX battery cable 43  
 Shrouds – intercell 69  
 Shrouds – leadhead 71  
 Side terminal-to-post conversion adapter 28  
 Side terminal brush 82  
 Side terminal ratchet wrench 82  
 Silicone caulk for containment systems 115  
 Single battery trays 108  
 SJO cord 49  
 SJOOW cord 49  
 SLA powerport battery tester 85  
 Small bore "L" terminal 69  
 Small bore leadheads 67  
 Solder, flux, and paste 86  
 Solar power – branch interconnects 56  
 Solar power – combiner boxes 57  
 Solar power – home run jumpers 57  
 Solar power – in-line fuses 57  
 Solar power – PV connectors 57  
 Solar power – tools and kits 57  
 Solar powered battery chargers 125  
 Solder pellets 86  
 Specialty terminals and connectors 34  
 Specialty terminal with pole-to-top post adapter 28  
 Spiral wrap 61  
 SpliceTube 60  
 Split loom 61  
 Spray adhesive for containment systems 115  
 Stainless steel rails and corners for containment systems 114  
 Standard battery cable 42  
 Standard cable ties 58  
 Standard cutter/crimper 81  
 Standard leadheads 67  
 Standard lead cone 70  
 Stationary battery wipedown 123  
 Stationary battery wipes 123  
 Storage racks and drawers 12  
 Strippers 78, 80  
 Stud terminal/stud flag stackable and locking connectors 19  
 Stud-to-post conversion adapter 28  
 Surge protectors 99  
 SXL cross-linked polyethylene 46  
 System tester 85  
 T-handle 75  
 Tape – PVC electrical and silicone 59  
 TC cable 48  
 Terminal bus bar 39  
 Terminal protectors 62-64  
 Terminal – 8D bus bar 69  
 Terminal – small bore "L" 69

TEW wire 46  
 Thimble/cone fasteners 70  
 Thimble/cone kits 70  
 Thimbles and cones 70  
 Thimbles – crimp 70  
 Thimbles – fusion solder 70  
 Tie bolt connectors 27  
 Tools and kits for renewable energy installations 57  
 Top post-to-side terminal cables 53  
 Top post-to-side terminal connectors battery terminal adapter 28  
 Trailer cable 48  
 Trailer cable – SJO cord 49  
 Trailer cable – SJOOW cord 49  
 UL marine battery cable 43  
 UL marine primary wire 46  
 UL welding cable 44  
 Universal leadheads 68  
 Vent kit for battery boxes 106  
 Wash water treatment 123  
 Washers for batteries 122  
 Water Me Sensor – probe style 65  
 Water Me Sensor – vent cap style 65  
 Watermiser vent cap 65  
 Weatherproof 300 amp SB connector 73  
 Weather pack: OEM terminals, housings, and seals 35  
 Welding cable 44  
 Welding cable – UL 44  
 Wipes – battery terminal 122  
 Wipes – stationary battery 123  
 Wire and cable guide 40, 41  
 Wire and terminal storage cabinet 15  
 Wire loom cutting tool 81  
 Wire nuts for copper wire 34  
 Wire spool racks 15  
 Wire stripper 81  
 Workbench 14  
 Worklight 102

We are constantly working to improve the quality of our products, therefore product specifications, designs and packaging may change without notice.

Copyright© Quick Cable Corporation and Quick Cable Canada. All rights reserved.

Fusion, Hex-Crimp, iStart, Magna-Lug, Quick Cable, Quick, Rescue, Quickfigurator are all registered trademarks of Quick Cable Corporation.

BilFro, Brute, Hammer Crimper, Cub Crimper HexCrimp, HexCrimp Jr., FlexTube, Fusion, Gardian, HexCrimp, HexCrimp Jr., MagnaLug, MagnaTube, MAX, QuickCote+, QuickCutter, QuickDrive, QuickFlux, QuickFlex, QuickFuse, QuickHarness, QuickHeat, QuickHold, QuickLink, QuickPower, QuickStrip, QuickTap, Quick Technologies, Rescue, QuickBox, and Truck Tough are all trademarks of Quick Cable Corporation.

AMP is a trademark of Tyco Electronics Corporation.

Ford is a trademark of the Ford Motor Company.

GM is a trademark of General Motors.

SB, SBX and Powerpole are registered trademarks of Anderson Power Products, Inc.

# How to Order Standard Catalog Items



A complete Quick Cable part number has two parts, a root number and a package quantity. In this catalog, we primarily show the root numbers; the available package quantities for all root numbers are shown in our price list and on our website.

There are two formats for catalog part numbers, one with a letter suffix and one without.

If there is no letter suffix, to create a valid part number for ordering, use the root part number, a hyphen, and the 3-digit package quantity code.

Example: 7789-001 is a package of one 24" offset jumper. 7789-005 is a package of 5.

If there is a letter suffix, to create a valid part number for ordering, use the root number with the 3-digit quantity inserted before the letter.

Example: 8804D is a 4/0 lug that is available in packages of 5 and 50. To order 5, the number would be 8804-005D; to order 50, the number would be 8804-050D.

## Items for Retail Merchandising

Many Quick Cable items are available in retail packaging for display on spinners, endcaps, etc. In most cases, these items are in bags designed to hang on hooks, and they come in packages of 5 bags. Exceptions are carded items like inverters, isolators and large items like booster cables.

In price lists and on our website you can identify retail packages by a 2000 series suffix, with the last three digits of the number indicating the quantity in each retail bag. For example, 2010 would be a bag of ten; 2100 would be a bag of 100.

To order items in retail packaging, use a hyphen after the root part number followed by the retail package quantity. Example: 670177-2001 is a retail bag with one junction box. REMEMBER: Retail bags are most often in lots of 5, so ordering this part number would get you 5 bags, each with one product inside.

If there is a letter suffix on the root part number, you must insert the retail order number just before the letter, the same as you would with ordering standard catalog items.



# Powerful Online Resources for Product Information, Training, and Custom Ordering

## QuickCable.com

At QuickCable.com you'll find a complete interactive online catalog of all products. It's where you'll find the most up-to-date information on new products and applications, and if you are a registered user, you can order products directly online. There are also extensive resources including instruction manuals, MSDS and RoHS safety sheets as well as catalogs for market-specific applications.



## QuickHowTo.com

This extensive video library offers more than 100 video training programs on product usage, safety, selection, installation, and more. Whether you're looking for information on specific products and applications or managing a training program for your employees, this extensive library is yours to use 24/7 at no charge. It's the added value you get with Quick Cable.



## QuickFigurator.com

Design your own custom cable quickly, online, using our unique quickfigurator.com web tool. You can specify all the components—cable, connectors, heat shrink, etc., save the file, print the drawing, and submit it for quotation. We'll get back to you within 24 hours. Custom cable, painless and fast. Only from Quick Cable.



# Over 7000 Products for Battery & DC Power



**100's of clamps & lugs - heavy duty, automotive, lead-free**  
pg. 16 - 27



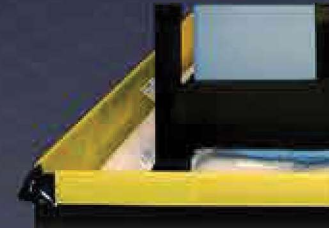
**Cable, primary wire, braided ground strap, bonded**  
pg. 40 - 55



**Crimping, cutting, stripping and battery utility tools**  
pg. 76 - 85



**Basic cable making kits for different applications**  
pg. 6 - 8



**Battery acid containment systems**  
pg. 114 - 115



**Portable power packs and a full line of booster cables**  
pg. 87 - 102



**Terminal protectors, battery vent caps and fuses**  
pg. 36, 37, 62-65



**Protective loom, cable ties and clamps, heat shrink tube**  
pg. 58 - 61



**Bulk rolls, pre-made and custom cable**  
pg. 40 - 55



**SB® & SBX® connectors, housings and accessories**  
pg. 72 - 75



**Battery boxes, trays, hold-downs and hooks**  
pg. 103 - 112



**Battery acid spill kits, chemicals and cleaners**  
pg. 116 - 123

Distributed by:

[quickcable.com](http://quickcable.com)  
[quickhowto.com](http://quickhowto.com)  
[quickfigurator.com](http://quickfigurator.com)

**QUICKCABLE®**  
Leadership in the Energy Storage Industry